

### IMPORTANT SAFEGUARDS

INSTALLATION INSTRUCTIONS  
INSTRUCTIONS D'INSTALLATION

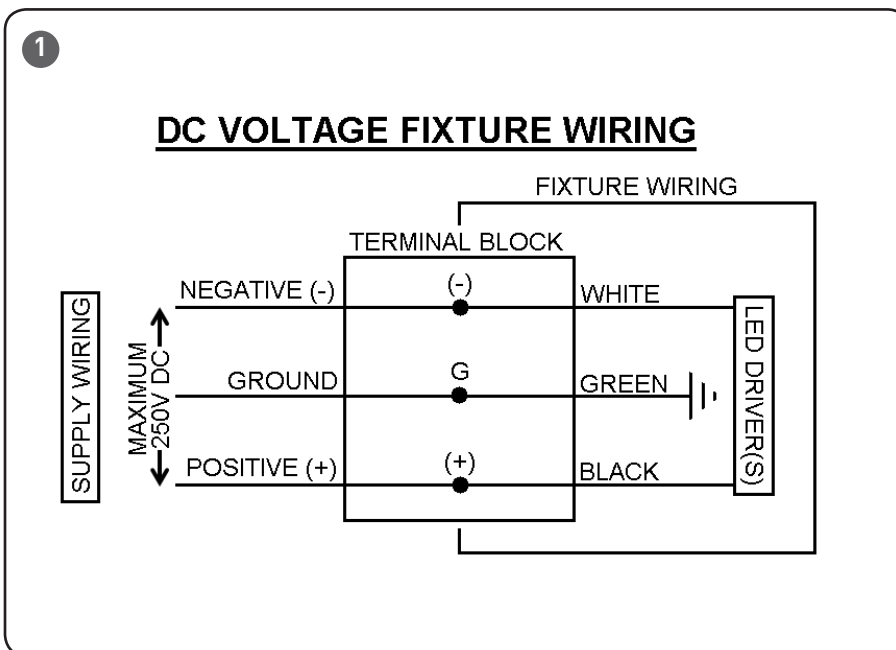
When using electrical equipment, basic safety precautions should always be followed including the following:

### READ AND FOLLOW ALL SAFETY INSTRUCTIONS

- DANGER**- Risk of shock- Disconnect power before installation.  
***DANGER** – Risque de choc – Couper l'alimentation avant l'installation.*
- This luminaire must be installed in accordance with the NEC or your local electrical code. If you are not familiar with these codes and requirements, consult a qualified electrician.  
*Ce produit doit être installé conformément à NEC ou votre code électrique local. Si vous n'êtes pas familier avec ces codes et ces exigences, veuillez contacter un électricien qualifié.*
- IMPORTANT: Damage to fixture will result when improper voltage is applied. Verify fixture is suitable for supply voltage by checking electrical label on fixture.**
- This fixture is supplied with a specific fuse. If a replacement is required, be sure to replace it with an identical fuse.

### SAVE THESE INSTRUCTIONS FOR FUTURE REFERENCE

#### TO INSTALL:



#### ELECTRICAL CONNECTIONS- SEE FIGURE 1

**NOTE:** This fixture is suitable for DC voltage operation. Disregard the wiring instructions that are described in the installation instructions provided with the fixture and refer to the following instructions.

##### STEP 1:

Connect supply ground conductor to green wire position of the terminal block within the LED Driver Enclosure.

##### STEP 2:

Connect supply positive conductor to black wire position of the terminal block within the LED Driver Enclosure.

##### STEP 3:

Connect supply negative conductor to the white wire position of the terminal block within the LED Driver Enclosure.