

# PS5R

## Round Steel Poles

### Product Description

Non-tapered round steel poles are supplied with welded base with cover, four galvanized anchor bolts, masonite mounting template. Each anchor bolt is provided with two washers and two nuts. Steel pole base has slotted holes. Per National Electrical Code requirements, pole is standard with a 2" x 6" (51 X 152mm) hand hole, located 12" (305mm) above the bottom of the pole base. A #10-32 stainless-steel weld stud is located inside pole, opposite hand hole; a hand hole cover is supplied but shipped separately. Consult factory for EPA ratings.

### Construction & Materials

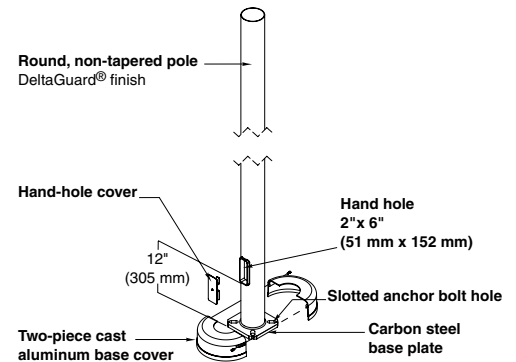
- Round, non tapered pole of structural steel tubing (ASTM A 500) with a minimum yield of 42,000 p.s.i
- Welded to a formed carbon steel base plate with a minimum yield strength of 36,000 p.s.i
- Exclusive DeltaGuard® finish features an E-Coat epoxy primer with an ultra-durable powder topcoat, providing excellent resistance to corrosion, ultraviolet degradation and abrasion. Finish covered by our 7 year limited warranty

### Regulatory & Voluntary Qualifications

- UL Listed in US for electrical ground bonding

### Patents

- Visit website for patents that cover these products:  
Patents <http://www.cree.com/patents>



#### Field Installed Accessories

REC-GFI5&6ABZ  
 REC-GFI5&6ABK  
 REC-GFI5&6AWH  
 REC-GFI5&6APB  
 REC-GFI5&6ASV  
 GFI Outlet Accessory - 120V

### Ordering Information

| Catalog Number | Height (ft) x Diameter (in) x Wall (in) | Height (m) x Diameter (mm) x Wall (mm) | 80 MPH Max |                | 90 MPH Max |                | 100 MPH Max |                | 110 MPH Max |                | 120 MPH Max |                | 130 MPH Max |                | 140 MPH Max |                |
|----------------|---|--|------------|----------------|------------|----------------|-------------|----------------|-------------|----------------|-------------|----------------|-------------|----------------|-------------|----------------|
|                |   |  | EPA        | Fixture Weight | EPA        | Fixture Weight | EPA         | Fixture Weight | EPA         | Fixture Weight | EPA         | Fixture Weight | EPA         | Fixture Weight | EPA         | Fixture Weight |
| PS5R12C(a)(b)  | 12 x 5 x 0.120                          | 3.7 x 127 x 3                          | 29.5       | 200            | 23.1       | 200            | 18.1        | 200            | 14.1        | 200            | 11.5        | 160            | 9.7         | 160            | 8.1         | 160            |
| PS5R15C(a)(b)  | 15 x 5 x 0.120                          | 4.6 x 127 x 3                          | 25.5       | 200            | 19.9       | 200            | 15.5        | 200            | 12.1        | 200            | 9.8         | 160            | 8.3         | 160            | 6.8         | 160            |
| PS5R17C(a)(b)  | 17 x 5 x 0.120                          | 5.2 x 127 x 3                          | 22.8       | 200            | 17.7       | 200            | 13.8        | 200            | 10.7        | 200            | 8.6         | 150            | 7.3         | 160            | 6.0         | 120            |
| PS5R20C(a)(b)  | 20 x 5 x 0.120                          | 6.1 x 127 x 3                          | 18.8       | 200            | 14.5       | 200            | 11.2        | 200            | 8.6         | 200            | 6.9         | 160            | 5.8         | 160            | 4.8         | 120            |
| PS5R22C(a)(b)  | 22 x 5 x 0.120                          | 6.7 x 127 x 3                          | 16.2       | 200            | 12.4       | 200            | 9.5         | 160            | 7.3         | 160            | 5.8         | 160            | 4.8         | 160            | 3.9         | 120            |
| PS5R25C(a)(b)  | 25 x 5 x 0.120                          | 7.6 x 127 x 3                          | 12.2       | 200            | 9.2        | 200            | 6.9         | 160            | 5.2         | 160            | 4.1         | 120            | 3.3         | 120            | 2.7         | 80             |
| PS5R27C(a)(b)  | 27 x 5 x 0.120                          | 8.2 x 127 x 3                          | 10.5       | 200            | 7.8        | 200            | 5.8         | 160            | 4.3         | 160            | 3.3         | 120            | 2.7         | 120            | 2.1         | 80             |
| PS5R30C(a)(b)  | 30 x 5 x 0.120                          | 9.1 x 127 x 3                          | 7.8        | 200            | 5.6        | 200            | 4.0         | 160            | 2.9         | 160            | 2.2         | 120            | 1.7         | 120            | 1.3         | 80             |

| (a) Specify direct mount pole configuration |  |
|---|--|
| 1   |  |
| 2   |  |
| 3   |  |
| 5   |  |
| 6   |  |
| 7   |  |
| 0   | post top fixture<br>(no holes drilled in pole) |

| (b) Specify finish color     |
|------------------------------|
| <b>BZ</b><br>Bronze          |
| <b>BK</b><br>Black           |
| <b>WH</b><br>White           |
| <b>PB</b><br>Platinum Bronze |
| <b>SV</b><br>Silver          |

