

IMPORTANT SAFEGUARDS

When using electrical equipment, basic safety precautions should always be followed including the following:

INSTALLATION INSTRUCTIONS
INSTRUCTIONS D'INSTALLATION

READ AND FOLLOW ALL SAFETY INSTRUCTIONS

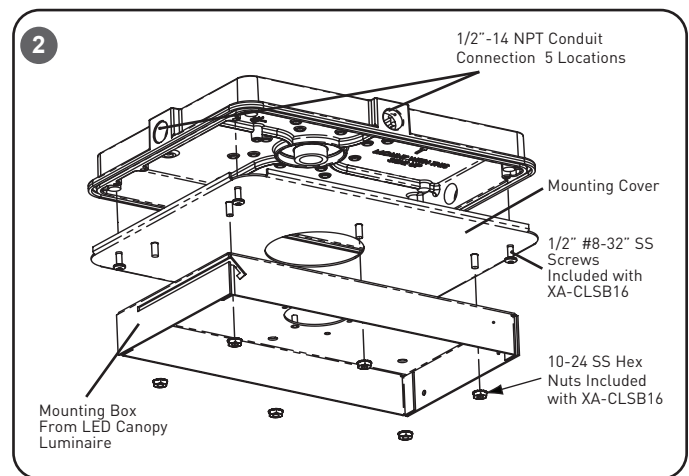
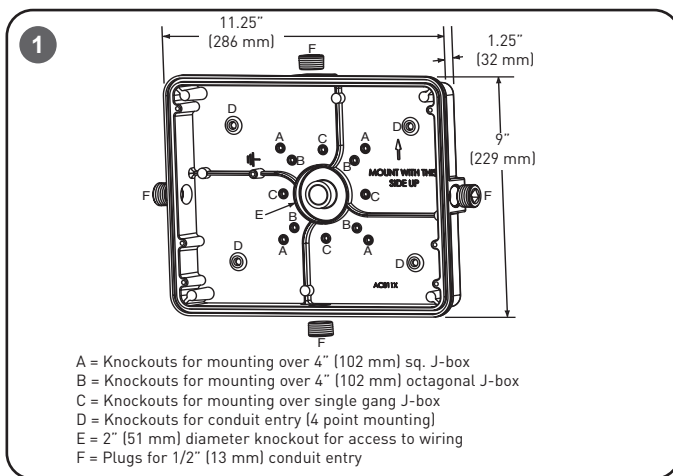
- DANGER**- Risk of shock- Disconnect power before installation.
DANGER – Risque de choc – Couper l'alimentation avant l'installation.
- This luminaire must be installed in accordance with the NEC or your local electrical code. If you are not familiar with these codes and requirements, consult a qualified electrician.
Ce produit doit être installé conformément à NEC ou votre code électrique local. Si vous n'êtes pas familier avec ces codes et ces exigences, veuillez contacter un électricien qualifié.

SAVE THESE INSTRUCTIONS FOR FUTURE REFERENCE

Notes:

- For each mounting configuration place a continuous bead of caulk around the perimeter of the mounting holes between the surfaces to prevent water from entering fixture from behind. A high grade caulking material such as silicone rubber should be used.
- Surface mounting box should not be secured to junction box only. See mounting instruction for proper installation.
- Take care to keep the LED lenses clean during installation.

TO INSTALL:



MOUNTING

STEP 1:

In addition to knockouts marked "D" per Figure 1, select any other appropriate knockouts to secure the surface mounting box to the mounting surface. Use a drill or a center punch and hammer to remove selected knockouts. See **Figure 1**.

STEP 2:

To mount over recessed junction box, drill (or remove using a center punch and hammer) a 2" (51 mm) diameter hole in center of box for access to wiring.

STEP 3:

To install using conduit, remove desired 1/2" (13 mm) conduit entrance plugs using 3/8" socket drive.

STEP 4:

Using (4) #10 x 1" (25 mm) screws appropriate for mounting surface and (4) #10 sealing washers (provided), attach surface box to mounting surface using "D" holes from Step 1.

NOTE: Place a continuous bead of caulk around the perimeter of the mounting holes between the surface box and mounting surface to prevent water from entering fixture from behind. A high grade caulking material such as silicone rubber should be used.

STEP 5:

Once surface mounting box is installed, install mounting cover and leave supply leads accessible in opening in mounting cover. See **Figure 2**.

STEP 6:

Remove mounting box from luminaire and remove existing octagonal junction box and cover and discard. Then secure mounting box to mounting cover using the six 10-24 hex nuts and washers supplied.

STEP 7:

Install luminaire to mounting box by sliding the "L" shape bracket on luminaire into the "L" shaped slot on mounting box.

STEP 8:

Make electrical connection referencing luminaire installation sheet.