

IMPORTANT SAFEGUARDS

When using electrical equipment, basic safety precautions should always be followed including the following:

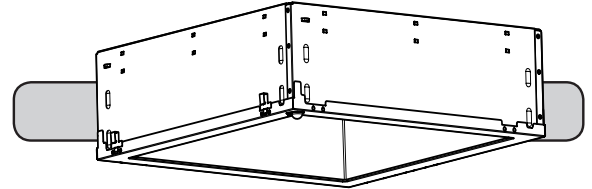
READ AND FOLLOW ALL SAFETY INSTRUCTIONS

- DANGER**- Risk of shock- Disconnect power before installation.
DANGER – *Risque de choc – Couper l'alimentation avant l'installation.*
- This luminaire must be installed in accordance with the NEC or your local electrical code. If you are not familiar with these codes and requirements, consult a qualified electrician.
Ce produit doit être installé conformément à NEC ou votre code électrique local. Si vous n'êtes pas familier avec ces codes et ces exigences, veuillez contacter un électricien qualifié.
- Access above ceiling required. Do not install insulation within 3 inches (76 mm) of any part of the luminaire. Suitable for suspended ceilings.
Acces requis au-dessus du plafond. Ne pas mettre l'isolant a moins de 76 mm (3 po) de toute partie du luminaire. Convient aux plafonds suspendus.
- Suitable for damp locations.
Convient aux emplacements humide.
- Do not use this equipment for other than its intended use
- Do not use outdoors
- Do not handle energized module with wet hands or when standing on wet or damp surfaces, or in water.

SAVE THESE INSTRUCTIONS FOR FUTURE REFERENCE

- The Cadient™ Dynamic Skylight is for non-insulated ceiling applications using T-bar ceiling grid or in drywall applications only when mounted on Cree Drywall Grid Adapter DGA-22.
- Designed for use in 120-277VAC protected circuits (fuse box, circuit breaker). Supply wire sized in accordance with national and local electrical wiring codes rated 90C or higher

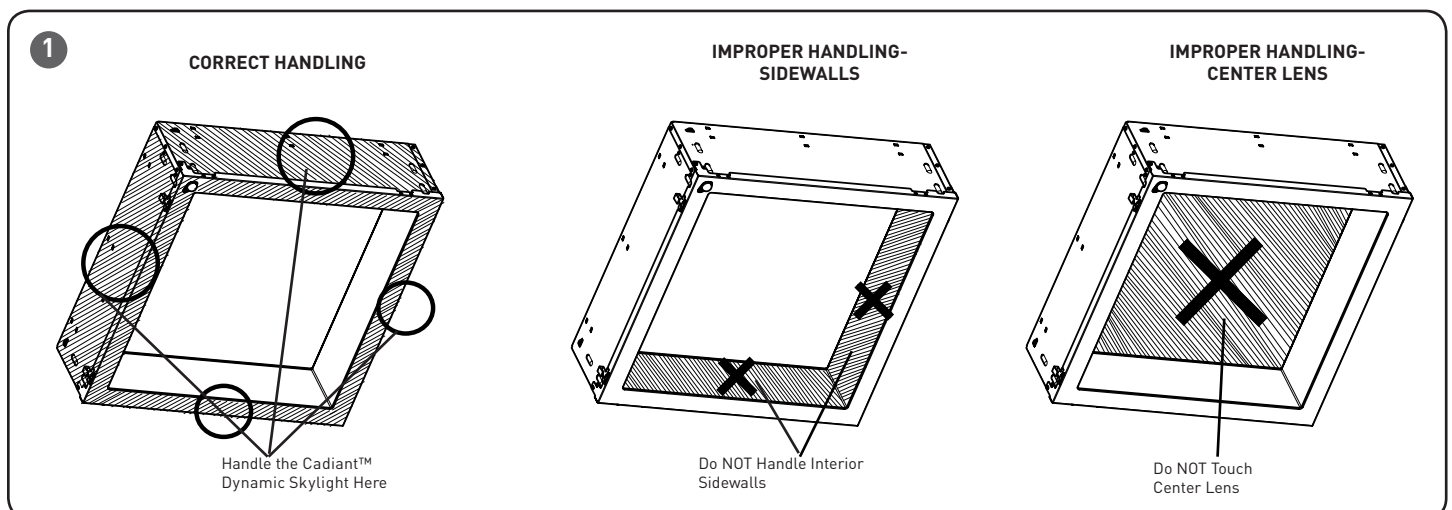
INSTALLATION INSTRUCTIONS INSTRUCTIONS D'INSTALLATION

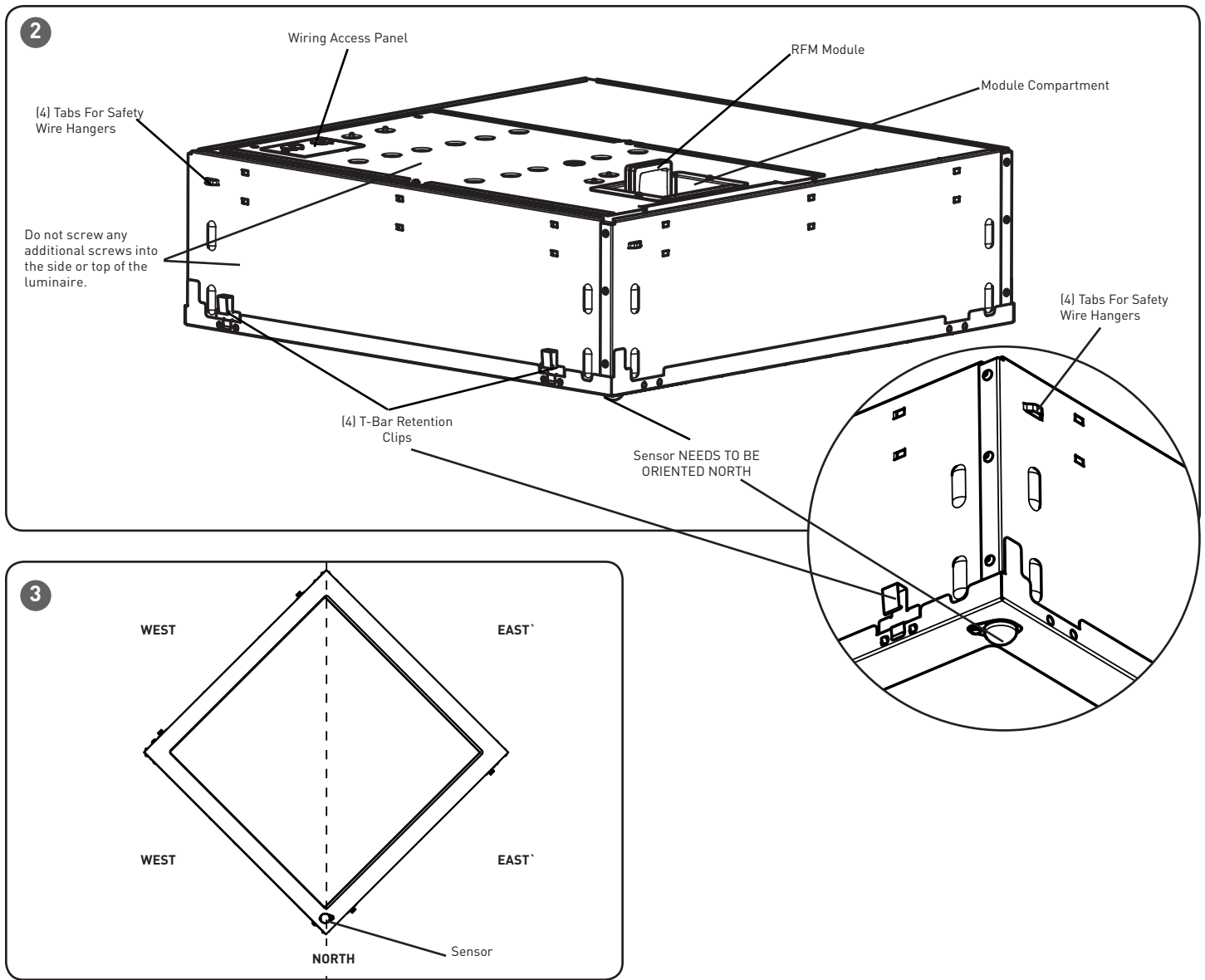


IMPORTANT NOTES:

- Do not screw any additional screws into the side or top of the luminaire.
- Do not push on top of the center lens. See **Figure 1**.
- Do not put pressure on or hold by the interior sidewalls. This may damage the optic. See **Figure 1**.
- Do not lay the luminaire on the sensor on the front face. See **Figure 2**.

TO INSTALL:





T-BAR CEILING INSTALLATION

NOTE: For secondary bracing (recommended), locate tabs on the side of the luminaire for safety wire hangers. See **Figure 2**.

NOTE: DO NOT LAY THE CADIANT™ DYNAMIC SKYLIGHT DOWN ON THE SENSOR.

STEP 1:

Unpack the Cadiant™ Dynamic Skylight from its shipping container being careful of the sensor and not pinching the sidewalls.

STEP 2:

Bring the Cadiant™ Dynamic Skylight into the T-Bar Ceiling panel and attach the retention clips on the housing onto the T-Bar. See **Figure 2**.

NOTE: To maintain the Cadiant™ Dynamic Skylight experience, ensure that the sensor on luminaire is oriented as close as possible to north. See **Figure 2** and **3**. For multiple luminaire installation, all luminaires need to be facing the same

direction, with the sensor oriented as close as possible to north.

NOTE: Ensure luminaires are securely fastened to ceiling framing member by mechanical means identified for use with the luminaire and ceiling member type in accordance with the NEC revision currently in place with the Authority Having Jurisdiction (AHJ) over the locale of the installation.

STEP 3:

Remove the wiring access panel by removing the one Phillips head screw. See **Figure 2**.

STEP 4:

Locate the RFM Module in the module compartment and plug the module into the RFM port located in the module compartment. See **Figure 2**.

STEP 5:

Connect input conduit to access plate and make wiring connections per the **Electrical Connection** section.

STEP 6:

Push all wires back into the luminaire. Re-secure cover with the provided Phillips head screw.

DRYWALL GRID ADAPTER INSTALLATION NOTES

NOTE: The Cadiant™ Dynamic Skylight is also suitable for installation in drywall applications **ONLY** when mounted in the Cree Lighting Drywall Grid Adapter Kit model DGA22.

STEP 1:

Installation of the luminaire should follow the instructions provided in the DGA kit with the following exceptions:

- Drywall installation employing the DGA kit is for single luminaire installations **ONLY**.
- Ensure the luminaire is independently secured to ceiling framing members by mechanical means using the provided tabs for Safety Wire Hangers. See **Figure 2**.

RESET RF MODULE

NOTE: The Blue LED is located behind the CREE logo on the RF Module. The CREE logo will illuminate blue when the Blue LED is active.

STEP 1:

Actuate RESET button through the access hole. Push and hold until LED on RF module begins blinking rapidly (approximately 6-7 seconds). See **Figure 2**.

STEP 2:

Release for 1 sec.

STEP 3:

Press/Hold RESET button for 0.5 sec. Light will turn off for a few seconds then go to full bright and the Blue LED on the RF Module should begin a 2 blink sequence. **Figure 2**.

TROUBLESHOOTING:

Out of the box, if the light does not turn on when power is applied:

- Check Wiring with power off
- If wired correctly, check to see if Blue LED blinking on the RF Module.
- If Blue LED is blinking, then perform a RESET (See RESET RF MODULE section).
- If Blue LED is on solid or off, call Cree Customer Service.
- If you have done a RESET, and the light is still off, call Cree Customer Service.

If light is unresponsive, use Cree Configuration Tool to verify configuration.

FCC NOTICE

To comply with the FCC RF exposure compliance requirements, this device and its antenna must not be co-located or operating in conjunction with any other antenna or transmitter. This equipment should be installed and operated with minimum distance 5cm between the radiator & your body.

FCC COMPLIANCE STATEMENT

CAUTION: Changes or modifications not expressly approved could void your authority to use this equipment.

This device complies with Part 15 of the FCC Rules. Operation to the following two conditions: (1) This device may not cause harmful interference, and (2) this device must accept any interference received, including interference that may cause undesired operation

This device has been tested and found to comply with the limits for a Class A digital device, pursuant to Part 15 of the FCC Rules. These limits are designed to provide reasonable protection against harmful interference when the device is operated in a commercial environment. This device generates, uses, and can radiate radio frequency energy and, if not installed and used in accordance with the instruction manual, may cause harmful interference to radio communications. Operation of this device in a residential area is likely to cause harmful interference in which case the user will be required to correct the interference at his own expense.

The LED in the front of this device operates within Risk Group 1 levels per IEC 62471.

INDUSTRY CANADA STATEMENT

This device complies with Industry Canada licence-exempt RSS standard(s). Operation is subject to the following two conditions: (1) this device may not cause interference, and (2) this device must accept any interference, including interference that may cause undesired operation of the device. In addition, this device complies with ICES-003 of the Industry Canada (IC) Regulations.

Le présent appareil est conforme aux CNR d'Industrie Canada applicables aux appareils radio exempts de licence. L'exploitation est autorisée aux deux conditions suivantes : (1) l'appareil ne doit pas produire de brouillage, et (2) l'utilisateur de l'appareil doit accepter tout brouillage radioélectrique subi, même si le brouillage est susceptible d'en compromettre le fonctionnement.

ELECTRICAL CONNECTIONS

STEP 1:

Make the following Electrical Connections:

- a. Check the voltage rating on the luminaire label and verify the voltage from the supply source matches the luminaire voltage rating.
- b. For 120/277V connect the black luminaire lead to the voltage supply lead (Hot 1 for 208/240V wiring).
- c. For 120/277V connect the white luminaire lead to the neutral supply lead or (Hot 2 for 208/240V wiring).
- d. Connect the luminaire green or green/yellow ground lead to the green supply lead.

