

Stylus™ Linear Series

Stylus™ LED Suspended Direct/Indirect Specification Grade Luminaire

Rev. Date: V6 03/25/2020

Product Description

The Stylus Linear Series is a full range linear specification portfolio. Its sleek minimalistic design provides clean uniform lines of light for any application such as: offices, healthcare, education and interior design. Designed with Cree TrueWhite® Technology, the Stylus Linear Series offers premium color quality with a CRI > 90 and R9 > 65 ideal for optimally displaying objects like produce, fabric, and artwork. With smooth full-range dimming down to 1%, the Stylus Linear Series allows each space with the appropriate light level needed for any activity. Available in up to 72 feet of continuous rows of seamless light in two-foot increments. Being versatile for lighting design, it is configurable in straight linear rows or geometric patterns, and compatible with Cree Lighting's SmartCast® Technology, Lutron Vive, and Lutron EcoSystem controls systems. Specifiable in three colors: white, black and graphite, the Stylus Linear Series is perfect for any application.

Applications: Suspended Direct/Indirect applications for new construction and upgrade

Performance Summary

Utilizes Cree TrueWhite® Technology

Initial Delivered Lumens: 400-1,150 lumens per foot Downlight / 350-1,025 lumens per foot Uplight

Efficacy: Up to 119 LPW Downlight / 131 LPW Uplight

CRI: 90+ CRI Standard, Optional 80+ CRI

R9: > 65 (90 CRI)

CCT: 3000K, 3500K, 4000K

Input Voltage: 120-277 VAC or 347 VAC

L₇₀ Lifetime: > 100,000 hours at 35° C

Limited Warranty*: 10 years on luminaire; 5 years on SmartCast® and Lutron controls; up to 5 years for SmartCast® accessories

Limited Warranty Emergency Back Up (EB) Battery and Generator Transfer Device: 1 Year. Test regularly in accordance with local codes

Dimensions with End Caps: H 4.5" (114mm) x W 3.0" (76mm) x L up to 72.02' (21.95m)

Weight: 3.5 LB/FT (1.6kg)

Dimming: 0-10V dimming to 1%, DALI dimming to 5%, SmartCast® Technology dimming to 5%, Lutron EcoSystem dimming to 5%, Lutron Vive dimming to 5%

Assembled in the U.S.A. of U.S. and imported parts

* See <http://creelighting.com/warranty> for warranty terms. For SmartCast accessories, consult SmartCast spec sheets for details on warranty terms.

Accessories

Field-Installed		
SmartCast® Technology Configuration Tool CCT-CWC-1 - One required per project when SC5 control is selected SmartCast® Technology Face Plates CFP-1-WH - Matching face plate, 1-gang, white CFP-2-WH - Matching face plate, 2-gang, white CFP-3-WH - Matching face plate, 3-gang, white	SmartCast® Technology Wireless Dimmer CWD-CWC-WH SmartCast® Technology Wireless Switch CWS-CWC-WH SmartCast® Technology Wireless Plug Load Controller CPLC-JB-CWC SmartCast Touchscreen Control CSC-TS-A-BK	SmartCast Wireless Gateway with Wi-Fi CSC-GW-CWC-W - Required with SmartCast Touchscreen Control SmartCast Wall Plug Power Supply CSC-WPS-120V - For use with SmartCast Wireless Gateway with Wi-Fi SmartCast 10V Zone Controller CSC-ZC-10V-CWC - Intelligent sensing and control of 0-10V luminaires

Ordering Information

Example: ST3-SI-02-L-L-30K-L-10V-12-D-WH

ST3	SI	02													
Product	Mount	Length	Plan*	Uplight Output	Downlight Output	CRI	CCT	Voltage	Downlight Option	Control	Suspension Length	Ceiling Type	Color	Options	
ST3 Stylus 3" Linear	Suspended Direct/Indirect	2' increments up to 72'	Blank Linear S_Square R_X_Rectangle U_X_X_U Shape L_X_L Shape C_Custom H_High	L Low (90 CRI 350 Lumens/FT & 80 CRI 450 Lumens/FT) M Medium (90 CRI 580 Lumens/FT & 80 CRI 745 Lumens/FT) H High (90 CRI 800 Lumens/FT & 80 CRI 1025 Lumens/FT)	L Low (90 CRI 400 Lumens/FT & 80 CRI 510 Lumens/FT) M Medium (90 CRI 650 Lumens/FT & 80 CRI 830 Lumens/FT) H High (90 CRI 900 Lumens/FT & 80 CRI 1150 Lumens/FT)	Blank CRI 80 30K CRI 80 3500K CRI 80 4000K CRI 80	30K 3000K 35K 3500K 40K 4000K	Blank 120-277 Volt 34 347 Volt	L Lambertian W Wall Wash/ Asymmetric Optic	10V 0-10V dimming to 1% DALI DALI dimming to 5% - Not available with 2' lengths or 347V SC5 - SmartCast Wireless control and integral sensors. - Dimming to 5% - Not available with 2' lengths LDE5 Lutron EcoSystem (5-Series EcoSystem Driver 5% Dimming) VDO Lutron Vive (5% Dimming) - Not available with 2', 10', and 12' section lengths - Not available for corners	04 Up to 4' 08 Up to 8' 12 Up to 12'	A 1" T Bar B 9/16" T Bar C Screw Slot T Bar D Hard Ceiling	WH White BK Black GR Graphite	EB 10W Emergency Battery Backup** - 120-277V only - Standard 1 EB/Run; for additional emergency units per run, consult sales - Illuminates first 4' of fixture - Not available in 2' fixtures GT Generator Transfer Device** - 120/277V only - Not available in 2' fixtures DF Dual Feed - Allows for independent control of direct and indirect light - Not available with Lutron Vive - Not available with GT option - Not supported with SmartCast Wireless***	

* Refer to page 4 for Plan Diagram for Corners.

** GT and EB cannot be used together.

*** SmartCast supports independent wireless control of direct and indirect lights without Dual Feed.



US: creelighting.com (800) 236-6800

Canada: creelighting-canada.com (800) 473-1234

Product Specifications

SMARTCAST® TECHNOLOGY

SmartCast® Technology is the most intuitive and easiest to install intelligent light solution on the market. SmartCast® Technology delivers up to 70% energy savings at up to half the cost of other solutions. Luminaires combine best-in-class light with onboard sensors and intelligence to deliver a better light experience. Extreme energy productivity, code compliance and a better light experience without any extra design, installation or setup work.

CREE TRUEWHITE® TECHNOLOGY

A revolutionary way to generate high-quality white light, Cree TrueWhite® Technology is a patented approach that delivers an exclusive combination of 90+ CRI, beautiful light characteristics, and lifelong color consistency, all while maintaining high luminous efficacy – a true no compromise solution.

CONSTRUCTION & MATERIALS

- 6063 marine grade extruded aluminum housing
- Matte acrylic lens
- Bead suspended acrylic lens
- Textured powder coat paint with a matte white, black or graphite finish
- Individual luminaires and continuous rows include non-feed cable kits and power feed/cable kits to support installation
- Non-feed cable kits include a 2" aluminum canopy with 1/16" galvanized 7x7 steel cable
- Feed kits include a 5" aluminum canopy with 1/16" galvanized 7x7 steel cable and SJT power cord(s)
- Included cords: All control options: (1) 18/5 cord; DF Option: (2) 18/4 cords; EB Option: (1) 18/2 and (1) 18/4 cord; GT Option: (2) 18/5 cords; EB+DF Option: (1) 18/4 and (1) 18/5 cord
- White canopies include white cord(s). Black and graphite canopies include black cord(s)
- End caps are extruded aluminum and come installed on individually mounted luminaires (2'-12')
- One set of end caps is included to accommodate runs from 14'-72'
- Continuous rows include quick connect wiring harnesses for ease of installation. Alignment pins between luminaires create seamless appearance and straighter rows

OPTICAL SYSTEM

- Ultra-Wide batwing distribution provides even illumination across a ceiling while allowing for maximum spacing between fixtures
- Multiple lumen intensities along with various up/down light options to provide the correct level of illumination within each space
- High efficiency diffuser designed to minimize glare and provide uniform light distribution

ELECTRICAL SYSTEM

- **Power Factor:** > 0.9 at full load
- **Input Power:** Stays constant over life
- **Input Voltage:** 120-277V or 347V, 50/60Hz
- **Operating Temperature Range:** -20°C - +35°C (-4°F - +95°F); minimum operating temperature with EB14 option is 0°C (32°F)
- **Total Harmonic Distortion:** < 20% at full load

10V DIMMING AND CONTROL

- Continuous dimming to 1% with 0-10V DC control protocol
- **10V Source Current:** 0.60mA maximum up to 12'
- Use only lighting controls with neutral connection or controls intended for use with LED fixtures
- Reference www.creelink.com/exLink.asp?70982140Z58R34I26620963 for recommended dimming controls and wiring diagrams
- Luminaires with DALI, SmartCast, Lutron EcoSystem and Lutron Vive dim to 5%

REGULATORY & VOLUNTARY QUALIFICATIONS

- cULus listed
- Suitable for damp locations
- Designed for indoor use only
- Suitable for continuous row mounting
- Not intended for use in environments containing airborne corrosive agents such as chemical solvents, cleaners, or cutting fluids
- UL924 (EB option). Maximum mounting height: 15.0' (4.6m)
- RoHS compliant. Consult factory for additional details
- Meets FCC Part 15, Subpart B, Class A limits for conducted and radiated emissions
- Meets Buy American requirements within ARRA
- **CA RESIDENTS WARNING:** Cancer and Reproductive Harm – www.p65warnings.ca.gov

SmartCast® Technology

INTEGRAL MOTION SENSOR

- Passive infrared (PIR)
- Coverage area: Please refer to the PIR motion sensor coverage table
- Not intended to be mounted higher than 20 ft.
- **Operation:**
 - Grouped with a wall control: Luminaire will operate in vacancy mode (manual-on/auto-off)
 - Not grouped with a wall control: Luminaire will operate in occupancy mode (auto-on/auto-off)
- Luminaires operate at full intensity until OneButton™ Setup is initiated by the Cree Configuration Tool

AMBIENT LIGHT SENSOR

- Sensor response matches response of human eye
- Not intended to be mounted higher than 12 ft. (3.7m)
- Luminaires operate at full intensity until OneButton™ Setup is initiated by the Cree Configuration Tool
- Daylight harvesting calibration performed automatically during OneButton™ Setup

INTEGRAL ENVIRONMENTAL SENSOR

The sensor enables multiple Internet of Things applications based on SmartCast API.

- T, P and H: The sensor allows measurement of temperature, pressure and humidity outside the device.

Sensor	Operating Range (For 0-35C)
Temperature	0-35C
Humidity	10-90% r.H.
Pressure	200hPa-1100hPa

- Indoor-air-quality: The VOC-gas sensor is capable of measuring the sum of VOCs/contaminants in the surrounding air. Sensing applications include - outgassing from paint, garbage, high VOC levels due to exhaled breath and/or sweating. The data is reported in indoor air quality index *IAQ) ranging from 0 (clean air) to 500 (heavily polluted air).

INTEGRAL WIRELESS COMMUNICATION

- 2.4GHz wireless mesh technology with AES 128-bit encryption
- Self assigns to quietest channel during OneButton™ Setup
- **Range:**
 - 30 ft. (9.1m) in typical commercial applications
 - 300 ft. (91.4m) open air without obstructions
- **Network:** 250 devices max.
- **Space:** 100 devices max. per group
- FCC and IC certifications

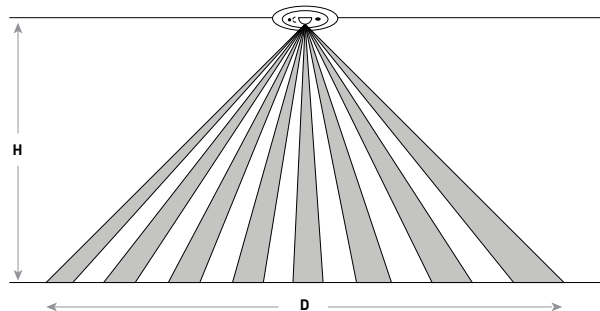
LUMINAIRE

- Luminaires operate at full intensity until OneButton™ Setup is initiated by the Cree Configuration Tool
- Independent wireless control of direct and indirect lights through SmartCast wall dimmers and SmartCast Touchscreen
- 10-year power fail memory of settings

DEPLOYMENT

- Please refer to the SmartCast® Deployment Guide at <https://www.creelink.com/exLink.asp?236135640H88E44I39771048>

PIR Motion Sensor Coverage



Mounting Height - H (Feet)	Motion Sensor Coverage Diameter - D (Feet)		
	Sensitivity - High (Default)	Sensitivity - Medium	Sensitivity - Low
10	20	10	8
12	26	14	12
14	28	15	13
20	38	Not Recommended	Not Recommended

Stylus™ LED Suspended Direct/Indirect Specification Grade Luminaire

Electrical Data*							
Length	Direct Lumen Package	Indirect Lumen Package					
		Low Lumen Package					
		System Watts	Total Current (A)				
		120-347V	120V	208V	240V	277V	347V
2'	L	20	0.17	0.10	0.08	0.07	0.06
	M	25	0.21	0.12	0.11	0.09	0.08
	H	31	0.26	0.15	0.13	0.11	0.09
4'	L	35	0.28	0.16	0.14	0.12	0.09
	M	46	0.38	0.22	0.19	0.16	0.13
	H	57	0.48	0.27	0.24	0.20	0.16
6'	L	49	0.41	0.24	0.21	0.18	0.14
	M	66	0.55	0.32	0.27	0.24	0.19
	H	82	0.69	0.40	0.34	0.30	0.23
8'	L	64	0.54	0.31	0.27	0.23	0.18
	M	86	0.71	0.41	0.36	0.31	0.24
	H	109	0.91	0.52	0.45	0.39	0.31
10'	L	81	0.67	0.39	0.34	0.29	0.24
	M	107	0.90	0.51	0.45	0.39	0.31
	H	139	1.16	0.66	0.57	0.50	0.40
12'	L	94	0.79	0.45	0.39	0.34	0.27
	M	129	1.07	0.62	0.54	0.46	0.37
	H	163	1.37	0.78	0.68	0.59	0.46

* Electrical data at 25°C (77°F). Actual wattage may differ by +/- 10% when operating between 120-277V or 347V +/- 10%. For electrical data for continuous runs to 72', please refer to the Initial Delivered Lumens & Electrical Data chart on pages 8 - 12.

Electrical Data*							
Length	Direct Lumen Package	Indirect Lumen Package					
		Medium Lumen Package					
		System Watts	Total Current (A)				
		120-347V	120V	208V	240V	277V	347V
2'	L	24	0.20	0.12	0.10	0.09	0.07
	M	29	0.24	0.14	0.12	0.11	0.09
	H	35	0.29	0.17	0.15	0.13	0.10
4'	L	43	0.36	0.21	0.18	0.16	0.12
	M	54	0.45	0.26	0.23	0.20	0.16
	H	65	0.55	0.31	0.27	0.24	0.19
6'	L	62	0.51	0.30	0.26	0.22	0.18
	M	79	0.65	0.38	0.33	0.28	0.23
	H	95	0.80	0.46	0.40	0.34	0.27
8'	L	81	0.68	0.39	0.34	0.29	0.23
	M	103	0.86	0.49	0.43	0.37	0.29
	H	126	1.06	0.60	0.52	0.45	0.36
10'	L	101	0.84	0.49	0.42	0.36	0.29
	M	127	1.07	0.61	0.53	0.46	0.36
	H	159	1.33	0.76	0.66	0.57	0.45
12'	L	120	1.01	0.58	0.50	0.44	0.35
	M	155	1.29	0.75	0.65	0.56	0.45
	H	189	1.59	0.91	0.79	0.68	0.54

* Electrical data at 25°C (77°F). Actual wattage may differ by +/- 10% when operating between 120-277V or 347V +/- 10%. For electrical data for continuous runs to 72', please refer to the Initial Delivered Lumens & Electrical Data chart on pages 8 - 12.

Stylus™ LED Suspended Direct/Indirect Specification Grade Luminaire

Electrical Data*							
Length	Direct Lumen Package	Indirect Lumen Package					
		High Lumen Package					
		System Watts	Total Current (A)				
		120-347V	120V	208V	240V	277V	347V
2'	L	29	0.24	0.14	0.12	0.11	0.08
	M	34	0.29	0.17	0.14	0.12	0.10
	H	40	0.34	0.19	0.17	0.14	0.11
4'	L	53	0.44	0.25	0.22	0.19	0.15
	M	64	0.53	0.31	0.27	0.23	0.19
	H	75	0.63	0.36	0.31	0.27	0.22
6'	L	77	0.64	0.37	0.32	0.28	0.22
	M	94	0.78	0.45	0.39	0.34	0.27
	H	110	0.93	0.53	0.46	0.40	0.31
8'	L	101	0.85	0.49	0.42	0.37	0.29
	M	123	1.03	0.59	0.51	0.44	0.35
	H	146	1.23	0.70	0.61	0.53	0.42
10'	L	127	1.06	0.61	0.53	0.46	0.37
	M	153	1.29	0.74	0.64	0.55	0.44
	H	185	1.55	0.89	0.77	0.67	0.53
12'	L	153	1.28	0.74	0.64	0.55	0.44
	M	188	1.56	0.90	0.78	0.68	0.54
	H	222	1.86	1.07	0.92	0.80	0.63

* Electrical data at 25°C (77°F). Actual wattage may differ by +/- 10% when operating between 120-277V or 347V +/- 10%. For electrical data for continuous runs to 72', please refer to the Initial Delivered Lumens & Electrical Data chart on pages 8 - 12.

Stylus Linear Series Ambient Adjusted Lumen Maintenance ¹					
Ambient	Initial LMF	25K hr Reported ² LMF	50K hr Estimated ³ LMF	75K hr Estimated ³ LMF	100K hr Estimated ³ LMF
5°C (41°F)	1.03	1.00	0.95	0.91	0.87
15°C (59°F)	1.01	0.98	0.93	0.89	0.85
25°C (77°F)	1.00	0.97	0.92	0.88	0.84
30°C (86°F)	0.99	0.96	0.91	0.87	0.83
35°C (95°F)	0.99	0.96	0.91	0.87	0.83

¹ Lumen maintenance values at 25°C (77°F) are calculated per IES TM-21 based on IES LM-80 report data for the LED package and in-situ luminaire testing. Luminaire ambient temperature factors (LATF) have been applied to all lumen maintenance factors.

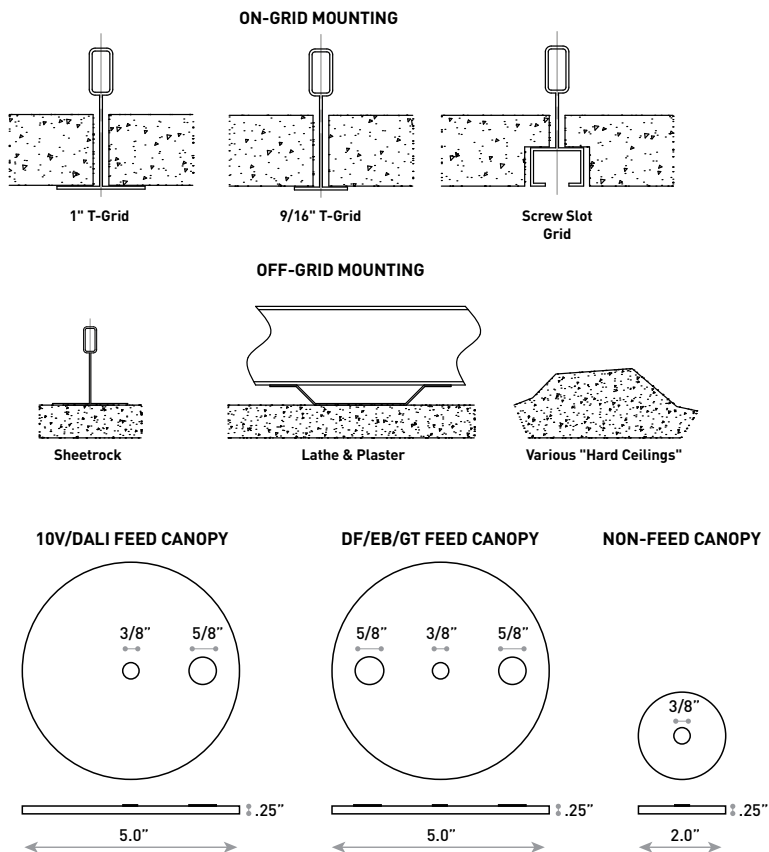
² In accordance with IES TM-21, Reported values represent interpolated values based on time durations that are up to 6x the tested duration in the IES LM-80 report for the LED.

³ Estimated values are calculated and represent time durations that exceed the 6x test duration of the LED.

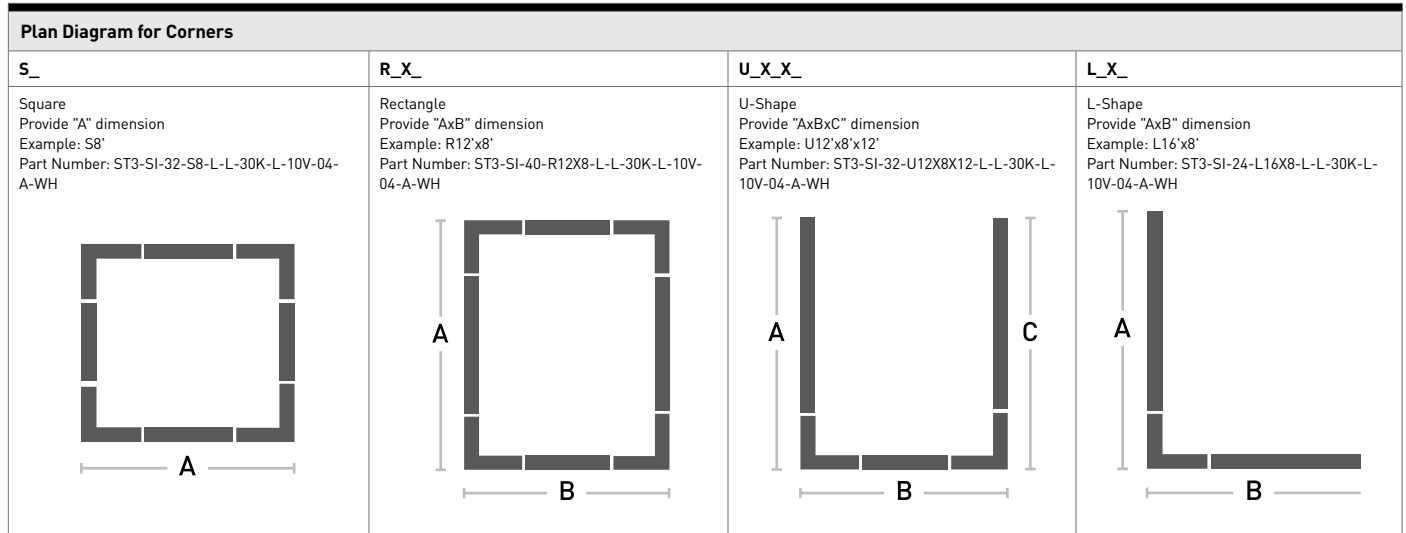
Stylus™ LED Suspended Direct/Indirect Specification Grade Luminaire

Initial Delivered Lumens (30K/35K/40K)												
Direct Lumen Package	Indirect Lumen Package - 90 CRI						Indirect Lumen Package - 80 CRI					
	Low		Medium		High		Low		Medium		High	
	Downlight	Uplight	Downlight	Uplight	Downlight	Uplight	Downlight	Uplight	Downlight	Uplight	Downlight	Uplight
L	400	350	400	580	400	800	510	450	510	745	510	1025
M	650	350	650	580	650	800	830	450	830	745	830	1025
H	900	350	900	580	900	800	1150	450	1150	745	1150	1025

Percentage of Downlight/Uplight						
Direct Lumen Package	Indirect Lumen Package					
	Low		Medium		High	
	%Downlight	%Uplight	%Downlight	%Uplight	%Downlight	%Uplight
L	53%	47%	41%	59%	33%	67%
M	65%	35%	53%	47%	45%	55%
H	72%	28%	61%	39%	53%	47%



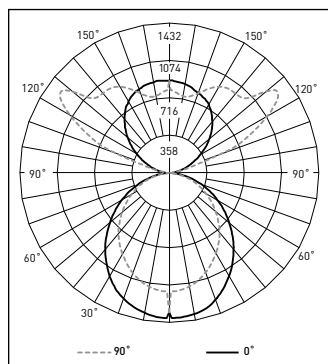
Stylus™ LED Suspended Direct/Indirect Specification Grade Luminaire



Photometry

ST3-SI-04-H-H-30K-L-10V-04-A-WH BASED ON RESTL REPORT TEST #: PL14232-001A

Luminaire photometry has been conducted in accordance with IES LM-79-08. IES LM-79-08 specifies the entire luminaire as the source resulting in a luminaire efficiency of 100%.



ST3-SI-04-H-H-30K-L-****
Initial Delivered Lumens: 7,111

Coefficients Of Utilization – Zonal Cavity Method				
RC %:	80			
RW %:	70	50	30	10
RCR: 0	107	107	107	107
1	97	93	89	86
2	89	81	75	70
3	81	71	64	58
4	74	63	55	49
5	68	56	48	42
6	63	50	42	37
7	58	46	38	32
8	54	41	34	28
9	50	38	30	25
10	47	35	27	23

Effective Floor Cavity Reflectance: 20%

Average Luminance Table (cd/m ²)				
Vertical Angle	Horizontal Angle			
		0°	45°	90°
	45°	13,163	12,773	10,256
55°	12,339	12,029	9,479	
65°	11,461	11,239	8,690	
75°	10,221	10,142	7,516	
85°	9,242	9,020	5,984	

Zonal Lumen Summary			
Zone	Lumens	% Lamp	Luminaire
0-30	1008.12	N/A	14.20%
0-40	1621.79	N/A	22.80%
0-60	2772.62	N/A	39.00%
0-90	3477.9	N/A	48.90%
90-120	971.81	N/A	13.70%
90-150	2918.48	N/A	41.00%
90-180	3633.34	N/A	51.10%
0-180	7111.24	N/A	100.00%

Reference www.creelighting.com/products/indoor for detailed photometric data.

Application Reference

Based on ST3-SI-04-H-H-30K-L-**** Luminaire

Open Space												
Linear ft*	90 CRI						80 CRI					
	Direct Lumen Package	Direct Lumens /ft	Indirect Lumen Package	Indirect Lumens /ft	Average FC	FC/ Linear ft	Direct Lumen Package	Direct Lumens /ft	Indirect Lumen Package	Indirect Lumens /ft	Average FC	FC/ Linear ft
28	Low	400	Low	350	33	1.17	Low	510	Low	450	42	1.50
	Medium	650	Medium	580	54	1.92	Medium	830	Medium	745	69	2.46
	High	900	High	800	74	2.66	High	1150	High	1025	95	3.41
24	Low	400	Low	350	28	1.17	Low	510	Low	450	36	1.50
	Medium	650	Medium	580	46	1.92	Medium	830	Medium	745	59	2.46
	High	900	High	800	64	2.66	High	1150	High	1025	82	3.41
20	Low	400	Low	350	23	1.17	Low	510	Low	450	29	1.50
	Medium	650	Medium	580	38	1.92	Medium	830	Medium	745	49	2.46
	High	900	High	800	53	2.66	High	1150	High	1025	68	3.41
16	Low	400	Low	350	19	1.17	Low	510	Low	450	24	1.50
	Medium	650	Medium	580	31	1.92	Medium	830	Medium	745	40	2.46
	High	900	High	800	43	2.66	High	1150	High	1025	55	3.41

10' ceiling: 80/50/20 reflectances; 2.5' workplane, 8' mounting height, open room. LLF: 1.0 Initial

Open Space: 50' x 6' x 10'

* Maximum run length is 72'

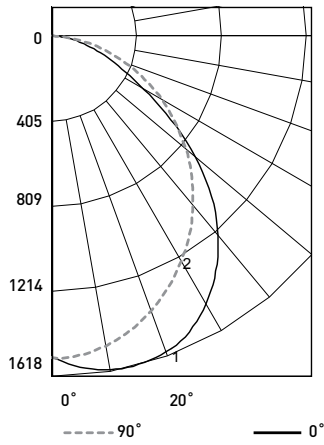
Fixtures spacing should typically not exceed 1x the mounting height between linear runs.

Photometry

ST3-RC-04-H-30K-W-10V-A-WH BASED ON RESTL REPORT TEST #: PL15326-001B

Luminaire photometry has been conducted in accordance with IES LM-79-08. IES LM-79-08 specifies the entire luminaire as the source resulting in a luminaire efficiency of 100%.

Note: This photometry represents the downlight wall wash distribution only. Direct/Indirect update coming soon.



ST3-**-04-H-30K-W-****
Initial Delivered Lumens: 3,600

Coefficients Of Utilization – Zonal Cavity Method				
RC %:	80			
RW %:	70	50	30	10
RCR: 0	119	119	119	119
1	110	105	101	98
2	100	93	86	81
3	92	82	74	68
4	85	73	65	58
5	78	66	57	51
6	72	59	51	45
7	67	54	46	40
8	63	50	41	36
9	59	46	38	32
10	55	42	34	29

Effective Floor Cavity Reflectance: 20%

Average Luminance Table (cd/m ²)			
Vertical Angle	Horizontal Angle		
	0°	45°	90°
45°	14,382	16,763	16,414
55°	13,539	15,242	13,033
65°	12,509	12,191	9,451
75°	11,007	8,619	7,256
85°	8,497	5,869	5,165

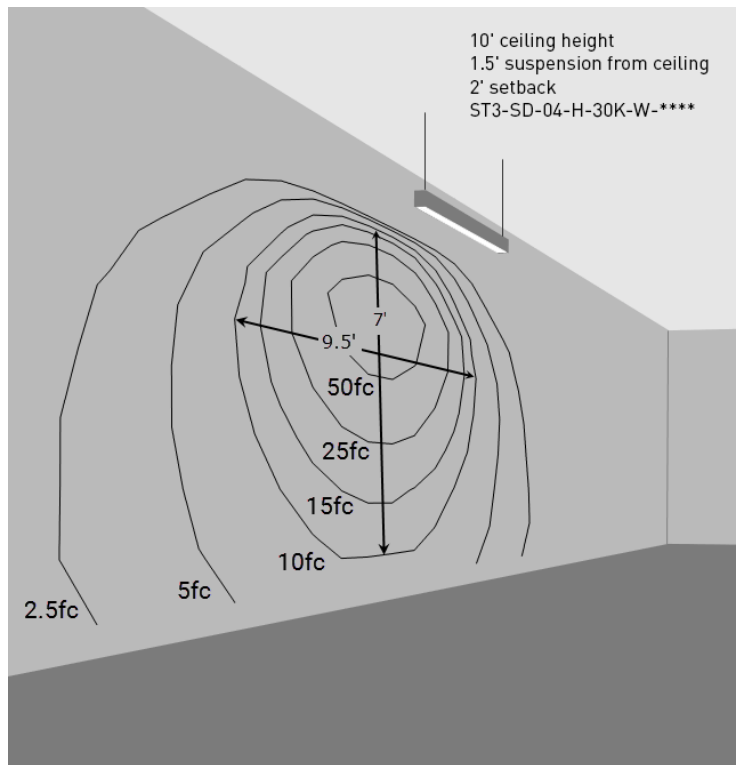
Zonal Lumen Summary			
Zone	Lumens	% Lamp	Luminaire
0-30	1141.97	31.70	31.70%
0-40	1818.06	59.50	50.50%
0-60	3001.82	83.40	83.40%
0-90	3600.04	100.00	100.00%
0-180	3600.04	100.00	100.00%

Reference <https://www.creelighting.com/products/indoor/specification-linear/stylus-series> for detailed photometric data.

Application Reference

Based on ST3-SI-04-H-30K-W-**** Luminaire

Note: This application reference represents the downlight wall wash distribution only. Direct/Indirect update coming soon.



Stylus™ LED Suspended Direct/Indirect Specification Grade Luminaire

Stylus Linear Suspended Configuration Chart									
Length (feet)	Units						Aperture (inches)	End Cap to End Cap (inches)	1/8" End Cap Kits
	2'	4'	6'	8'	10'	12'			
2	1						24	24.25	
4		1					48	48.25	
6			1				72	72.25	
8				1			96	96.25	
10					1		120	120.25	1
12						1	144	144.25	1
14			1	1			168	168.25	1
16				2			192	192.25	1
18		1	1	1			216	216.25	1
20		1		2			240	240.25	1
22			1	2			264	264.25	1
24				3			288	288.25	1
26		1	1	2			312	312.25	1
28		1		3			336	336.25	1
30			1	3			360	360.25	1
32				4			384	384.25	1
34		1	1	3			408	408.25	1
36		1		4			432	432.25	1
38			1	4			456	456.25	1
40				5			480	480.25	1
42		1	1	4			504	504.25	1
44		1		5			528	528.25	1
46			1	5			552	552.25	1
48				6			576	576.25	1
50		1	1	5			600	600.25	1
52		1		6			625	625.25	1
54			1	6			648	648.25	1
56				7			672	672.25	1
58		1	1	6			696	696.25	1
60		1		7			720	720.25	1
62			1	7			744	744.25	1
64				8			768	768.25	1
66		1	1	7			792	792.25	1
68		1		8			816	816.25	1
70			1	8			840	840.25	1
72				9			864	864.25	1

Stylus™ LED Suspended Direct/Indirect Specification Grade Luminaire

Delivered Lumens & Electrical Data*													
Length	Direct Lumen Package	Indirect Lumen Package											
		Low Lumen Package											
		System Watts 120-347V	Initial Delivered Lumens** Lambertian/Wall Wash Distributions Direct						Total Current (A)				
			Batwing Indirect						120V	208V	240V	277V	347V
			Downlight			Uplight							
90 CRI	80 CRI		90 CRI	80 CRI									
2'	L	20	800	1,020	700	900	0.17	0.10	0.08	0.07	0.06		
	M	25	1,300	1,660	700	900	0.21	0.12	0.11	0.09	0.08		
	H	31	1,800	2,300	700	900	0.26	0.15	0.13	0.11	0.09		
4'	L	35	1,600	2,050	1,400	1,790	0.28	0.16	0.14	0.12	0.09		
	M	46	2,600	3,330	1,400	1,790	0.38	0.22	0.19	0.16	0.13		
	H	57	3,600	4,610	1,400	1,790	0.48	0.27	0.24	0.20	0.16		
6'	L	49	2,400	3,070	2,100	2,690	0.41	0.24	0.21	0.18	0.14		
	M	66	3,900	4,990	2,100	2,690	0.55	0.32	0.27	0.24	0.19		
	H	82	5,400	6,900	2,100	2,690	0.69	0.40	0.34	0.30	0.23		
8'	L	64	3,200	4,100	2,800	3,580	0.54	0.31	0.27	0.23	0.18		
	M	86	5,200	6,650	2,800	3,580	0.71	0.41	0.36	0.31	0.24		
	H	109	7,200	9,225	2,800	3,580	0.91	0.52	0.45	0.39	0.31		
10'	L	81	4,000	5,125	3,500	4,480	0.67	0.39	0.34	0.29	0.24		
	M	107	6,500	8,325	3,500	4,480	0.90	0.51	0.45	0.39	0.31		
	H	139	9,000	11,525	3,500	4,480	1.16	0.66	0.57	0.50	0.40		
12'	L	94	4,800	6,150	4,200	5,375	0.79	0.45	0.39	0.34	0.27		
	M	129	7,800	9,975	4,200	5,375	1.07	0.62	0.54	0.46	0.37		
	H	163	10,800	13,825	4,200	5,375	1.37	0.78	0.68	0.59	0.46		
14'	L	113	5,600	7,170	4,900	6,270	0.95	0.54	0.47	0.41	0.33		
	M	152	9,100	11,640	4,900	6,270	1.26	0.73	0.63	0.55	0.44		
	H	191	12,600	16,125	4,900	6,270	1.61	0.92	0.79	0.69	0.55		
16'	L	128	6,400	8,200	5,600	7,160	1.07	0.61	0.53	0.46	0.36		
	M	172	10,400	13,300	5,600	7,160	1.43	0.82	0.71	0.62	0.48		
	H	218	14,400	18,450	5,600	7,160	1.83	1.04	0.90	0.78	0.62		
18'	L	148	7,200	9,220	6,300	8,060	1.23	0.71	0.61	0.53	0.42		
	M	198	11,700	14,970	6,300	8,060	1.64	0.94	0.82	0.71	0.57		
	H	248	16,200	20,735	6,300	8,060	2.08	1.19	1.03	0.89	0.71		
20'	L	163	8,000	10,250	7,000	8,950	1.35	0.78	0.68	0.58	0.46		
	M	218	13,000	16,630	7,000	8,950	1.80	1.04	0.90	0.78	0.62		
	H	275	18,000	23,060	7,000	8,950	2.30	1.31	1.14	0.99	0.79		
22'	L	177	8,800	11,270	7,700	9,850	1.48	0.85	0.74	0.64	0.51		
	M	238	14,300	18,290	7,700	9,850	1.97	1.14	0.99	0.85	0.68		
	H	300	19,800	25,350	7,700	9,850	2.52	1.44	1.25	1.08	0.86		
24'	L	192	9,600	12,300	8,400	10,740	1.61	0.92	0.80	0.69	0.55		
	M	258	15,600	19,950	8,400	10,740	2.14	1.23	1.07	0.92	0.73		
	H	327	21,600	27,675	8,400	10,740	2.74	1.56	1.35	1.17	0.94		
26'	L	212	10,400	13,320	9,100	11,640	1.76	1.02	0.88	0.76	0.60		
	M	284	16,900	21,620	9,100	11,640	2.35	1.35	1.17	1.02	0.81		
	H	357	23,400	29,960	9,100	11,640	2.99	1.71	1.48	1.28	1.02		

* Electrical data at 25°C (77°F). Actual wattage may differ by +/- 10% when operating between 120-277V or 347V +/- 10%.

** Initial delivered lumens at 25°C (77°F). Actual production yield may vary between -10 and +10% of initial delivered lumens.

Stylus™ LED Suspended Direct/Indirect Specification Grade Luminaire

Delivered Lumens & Electrical Data*											
Length	Direct Lumen Package	Indirect Lumen Package									
		Low Lumen Package									
		System Watts	Initial Delivered Lumens** Lambertian/Wall Wash Distributions Direct				Total Current (A)				
		120-347V	Batwing Indirect				120V	208V	240V	277V	347V
			Downlight		Uplight						
90 CRI	80 CRI		90 CRI	80 CRI							
28'	L	227	11,200	14,350	9,800	12,530	1.89	1.09	0.94	0.82	0.64
	M	304	18,200	23,280	9,800	12,530	2.52	1.45	1.26	1.09	0.86
	H	384	25,200	32,285	9,800	12,530	3.22	1.83	1.59	1.38	1.10
30'	L	241	12,000	15,370	10,500	13,430	2.02	1.16	1.00	0.87	0.69
	M	324	19,500	24,940	10,500	13,430	2.69	1.55	1.34	1.16	0.92
	H	409	27,000	34,575	10,500	13,430	3.43	1.96	1.70	1.47	1.17
32'	L	256	12,800	16,400	11,200	14,320	2.14	1.23	1.07	0.92	0.73
	M	344	20,800	26,600	11,200	14,320	2.85	1.64	1.42	1.23	0.97
	H	436	28,800	36,900	11,200	14,320	3.65	2.08	1.80	1.56	1.25
34'	L	276	13,600	17,420	11,900	15,220	2.30	1.32	1.15	0.99	0.79
	M	370	22,100	28,270	11,900	15,220	3.06	1.77	1.53	1.33	1.06
	H	466	30,600	39,185	11,900	15,220	3.91	2.23	1.93	1.67	1.34
36'	L	291	14,400	18,450	12,600	16,110	2.42	1.39	1.21	1.05	0.82
	M	390	23,400	29,930	12,600	16,110	3.23	1.86	1.61	1.40	1.10
	H	493	32,400	41,510	12,600	16,110	4.13	2.35	2.04	1.77	1.41
38'	L	305	15,200	19,470	13,300	17,010	2.55	1.47	1.27	1.10	0.87
	M	410	24,700	31,590	13,300	17,010	3.40	1.96	1.70	1.47	1.16
	H	518	34,200	43,800	13,300	17,010	4.35	2.48	2.15	1.86	1.48
40'	L	320	16,000	20,500	14,000	17,900	2.68	1.54	1.33	1.15	0.91
	M	430	26,000	33,250	14,000	17,900	3.57	2.05	1.78	1.54	1.21
	H	545	36,000	46,125	14,000	17,900	4.57	2.60	2.25	1.95	1.56
42'	L	340	16,800	21,520	14,700	18,800	2.83	1.63	1.41	1.22	0.97
	M	456	27,300	34,920	14,700	18,800	3.78	2.18	1.89	1.63	1.30
	H	575	37,800	48,410	14,700	18,800	4.82	2.75	2.38	2.06	1.65
44'	L	355	17,600	22,550	15,400	19,690	2.96	1.70	1.47	1.28	1.01
	M	476	28,600	36,580	15,400	19,690	3.94	2.27	1.97	1.71	1.35
	H	602	39,600	50,735	15,400	19,690	5.04	2.87	2.49	2.16	1.73
46'	L	369	18,400	23,570	16,100	20,590	3.09	1.77	1.54	1.33	1.06
	M	496	29,900	38,240	16,100	20,590	4.11	2.37	2.05	1.78	1.41
	H	627	41,400	53,025	16,100	20,590	5.26	3.00	2.60	2.25	1.80
48'	L	384	19,200	24,600	16,800	21,480	3.21	1.84	1.60	1.38	1.09
	M	516	31,200	39,900	16,800	21,480	4.28	2.46	2.14	1.85	1.45
	H	654	43,200	55,350	16,800	21,480	5.48	3.12	2.71	2.34	1.87
50'	L	404	20,000	25,620	17,500	22,380	3.37	1.94	1.68	1.46	1.15
	M	542	32,500	41,570	17,500	22,380	4.49	2.59	2.24	1.94	1.54
	H	684	45,000	57,635	17,500	22,380	5.73	3.27	2.83	2.46	1.96
52'	L	419	20,800	26,650	18,200	23,270	3.49	2.01	1.74	1.51	1.19
		562	33,800	43,230	18,200	23,270	4.66	2.68	2.32	2.01	1.59
	H	711	46,800	59,960	18,200	23,270	5.96	3.39	2.94	2.55	2.04

* Electrical data at 25°C (77°F). Actual wattage may differ by +/- 10% when operating between 120-277V or 347V +/- 10%.
 ** Initial delivered lumens at 25°C (77°F). Actual production yield may vary between -10 and +10% of initial delivered lumens.

Stylus™ LED Suspended Direct/Indirect Specification Grade Luminaire

Delivered Lumens & Electrical Data*											
Length	Direct Lumen Package	Indirect Lumen Package									
		Low Lumen Package									
		System Watts	Initial Delivered Lumens** Lambertian/Wall Wash Distributions Direct				Total Current (A)				
		120-347V	Batwing Indirect				120V	208V	240V	277V	347V
			Downlight		Uplight						
90 CRI	80 CRI		90 CRI	80 CRI							
54'	L	433	21,600	27,670	18,900	24,170	3.62	2.08	1.80	1.56	1.24
	M	582	35,100	44,890	18,900	24,170	4.83	2.78	2.41	2.09	1.65
	H	736	48,600	62,250	18,900	24,170	6.17	3.52	3.05	2.64	2.11
56'	L	448	22,400	28,700	19,600	25,060	3.75	2.15	1.86	1.61	1.28
	M	602	36,400	46,550	19,600	25,060	4.99	2.87	2.49	2.16	1.70
	H	763	50,400	64,575	19,600	25,060	6.39	3.64	3.16	2.73	2.19
58'	L	468	23,200	29,720	20,300	25,960	3.90	2.25	1.95	1.69	1.33
	M	628	37,700	48,220	20,300	25,960	5.20	3.00	2.60	2.25	1.78
	H	793	52,200	66,860	20,300	25,960	6.65	3.79	3.29	2.85	2.27
60'	L	483	24,000	30,750	21,000	26,850	4.03	2.31	2.01	1.74	1.37
	M	648	39,000	49,880	21,000	26,850	5.37	3.09	2.68	2.32	1.83
	H	820	54,000	69,185	21,000	26,850	6.87	3.91	3.39	2.94	2.35
62'	L	497	24,800	31,770	21,700	27,750	4.16	2.39	2.07	1.79	1.42
	M	668	40,300	51,540	21,700	27,750	5.54	3.19	2.76	2.39	1.89
	H	845	55,800	71,475	21,700	27,750	7.09	4.04	3.50	3.03	2.42
64'	L	512	25,600	32,800	22,400	28,640	4.28	2.46	2.13	1.85	1.46
	M	688	41,600	53,200	22,400	28,640	5.71	3.28	2.85	2.47	1.94
	H	872	57,600	73,800	22,400	28,640	7.31	4.16	3.61	3.12	2.50
66'	L	532	26,400	33,820	23,100	29,540	4.44	2.55	2.21	1.92	1.52
	M	714	42,900	54,870	23,100	29,540	5.92	3.41	2.95	2.56	2.03
	H	902	59,400	76,085	23,100	29,540	7.56	4.31	3.74	3.24	2.59
68'	L	547	27,200	34,850	23,800	30,430	4.56	2.62	2.27	1.97	1.55
	M	734	44,200	56,530	23,800	30,430	6.08	3.50	3.04	2.63	2.07
	H	929	61,200	78,410	23,800	30,430	7.78	4.43	3.84	3.33	2.66
70'	L	561	28,000	35,870	24,500	31,330	4.69	2.70	2.34	2.02	1.60
	M	754	45,500	58,190	24,500	31,330	6.25	3.60	3.12	2.70	2.13
	H	954	63,000	80,700	24,500	31,330	8.00	4.56	3.95	3.42	2.73
72'	L	576	28,800	36,900	25,200	32,220	4.82	2.76	2.40	2.08	1.64
	M	774	46,800	59,850	25,200	32,220	6.42	3.70	3.20	2.77	2.18
	H	981	64,800	83,025	25,200	32,220	8.22	4.68	4.06	3.52	2.81

* Electrical data at 25°C (77°F). Actual wattage may differ by +/- 10% when operating between 120-277V or 347V +/- 10%.
 ** Initial delivered lumens at 25°C (77°F). Actual production yield may vary between -10 and +10% of initial delivered lumens.

Stylus™ LED Suspended Direct/Indirect Specification Grade Luminaire

Delivered Lumens & Electrical Data*													
Length	Direct Lumen Package	Indirect Lumen Package											
		Medium Lumen Package											
		System Watts	Initial Delivered Lumens** Lambertian/Wall Wash Distributions				Total Current (A)						
		120-347V	Batwing Indirect						120V	208V	240V	277V	347V
			Downtight		Uplight								
90 CRI	80 CRI		90 CRI	80 CRI	90 CRI	80 CRI							
2'	L	24	800	1,020	1,160	1,490	0.20	0.12	0.10	0.09	0.07		
	M	29	1,300	1,660	1,160	1,490	0.24	0.14	0.12	0.11	0.09		
	H	35	1,800	2,300	1,160	1,490	0.29	0.17	0.15	0.13	0.10		
4'	L	43	1,600	2,050	2,320	2,970	0.36	0.21	0.18	0.16	0.12		
	M	54	2,600	3,330	2,320	2,970	0.45	0.26	0.23	0.20	0.16		
	H	65	3,600	4,610	2,320	2,970	0.55	0.31	0.27	0.24	0.19		
6'	L	62	2,400	3,070	3,480	4,450	0.51	0.30	0.26	0.22	0.18		
	M	79	3,900	4,990	3,480	4,450	0.65	0.38	0.33	0.28	0.23		
	H	95	5,400	6,900	3,480	4,450	0.80	0.46	0.40	0.34	0.27		
8'	L	81	3,200	4,100	4,640	5,950	0.68	0.39	0.34	0.29	0.23		
	M	103	5,200	6,650	4,640	5,950	0.86	0.49	0.43	0.37	0.29		
	H	126	7,200	9,225	4,640	5,950	1.06	0.60	0.52	0.45	0.36		
10'	L	101	4,000	5,125	5,800	7,425	0.84	0.49	0.42	0.36	0.29		
	M	127	6,500	8,325	5,800	7,425	1.07	0.61	0.53	0.46	0.36		
	H	159	9,000	11,525	5,800	7,425	1.33	0.76	0.66	0.57	0.45		
12'	L	120	4,800	6,150	6,960	8,900	1.01	0.58	0.50	0.44	0.35		
	M	155	7,800	9,975	6,960	8,900	1.29	0.75	0.65	0.56	0.45		
	H	189	10,800	13,825	6,960	8,900	1.59	0.91	0.79	0.68	0.54		
14'	L	143	5,600	7,170	8,120	10,400	1.19	0.69	0.60	0.52	0.41		
	M	182	9,100	11,640	8,120	10,400	1.51	0.87	0.75	0.65	0.52		
	H	221	12,600	16,125	8,120	10,400	1.85	1.06	0.92	0.80	0.63		
16'	L	162	6,400	8,200	9,280	11,900	1.36	0.78	0.68	0.59	0.46		
	M	206	10,400	13,300	9,280	11,900	1.72	0.99	0.86	0.74	0.58		
	H	252	14,400	18,450	9,280	11,900	2.12	1.21	1.05	0.91	0.72		
18'	L	186	7,200	9,220	10,440	13,370	1.55	0.89	0.78	0.67	0.53		
	M	236	11,700	14,970	10,440	13,370	1.96	1.13	0.98	0.85	0.68		
	H	286	16,200	20,735	10,440	13,370	2.40	1.38	1.19	1.03	0.82		
20'	L	205	8,000	10,250	11,600	14,870	1.72	0.99	0.86	0.74	0.58		
	M	260	13,000	16,630	11,600	14,870	2.17	1.25	1.08	0.94	0.74		
	H	317	18,000	23,060	11,600	14,870	2.66	1.52	1.32	1.14	0.91		
22'	L	224	8,800	11,270	12,760	16,350	1.87	1.08	0.93	0.81	0.64		
	M	285	14,300	18,290	12,760	16,350	2.37	1.36	1.18	1.02	0.81		
	H	347	19,800	25,350	12,760	16,350	2.91	1.66	1.44	1.25	0.99		
24'	L	243	9,600	12,300	13,920	17,850	2.04	1.17	1.02	0.88	0.70		
	M	309	15,600	19,950	13,920	17,850	2.57	1.48	1.28	1.11	0.88		
	H	378	21,600	27,675	13,920	17,850	3.17	1.81	1.57	1.36	1.09		
26'	L	267	10,400	13,320	15,080	19,320	2.23	1.29	1.11	0.96	0.76		
	M	339	16,900	21,620	15,080	19,320	2.82	1.62	1.41	1.22	0.97		
	H	412	23,400	29,960	15,080	19,320	3.46	1.98	1.71	1.49	1.18		

* Electrical data at 25°C (77°F). Actual wattage may differ by +/- 10% when operating between 120-277V or 347V +/- 10%.

** Initial delivered lumens at 25°C (77°F). Actual production yield may vary between -10 and +10% of initial delivered lumens.

Stylus™ LED Suspended Direct/Indirect Specification Grade Luminaire

Delivered Lumens & Electrical Data*											
Length	Direct Lumen Package	Indirect Lumen Package									
		Medium Lumen Package									
		System Watts	Initial Delivered Lumens** Lambertian/Wall Wash Distributions Direct				Total Current (A)				
		120-347V	Batwing Indirect				120V	208V	240V	277V	347V
			Downlight		Uplight						
90 CRI	80 CRI		90 CRI	80 CRI							
28'	L	286	11,200	14,350	16,240	20,820	2.40	1.38	1.19	1.03	0.82
	M	363	18,200	23,280	16,240	20,820	3.02	1.74	1.51	1.31	1.04
	H	443	25,200	32,285	16,240	20,820	3.72	2.13	1.84	1.60	1.28
30'	L	305	12,000	15,370	17,400	22,300	2.55	1.47	1.27	1.10	0.88
	M	388	19,500	24,940	17,400	22,300	3.22	1.86	1.61	1.39	1.11
	H	473	27,000	34,575	17,400	22,300	3.97	2.27	1.96	1.70	1.36
32'	L	324	12,800	16,400	18,560	23,800	2.72	1.56	1.35	1.17	0.93
	M	412	20,800	26,600	18,560	23,800	3.43	1.98	1.71	1.48	1.17
	H	504	28,800	36,900	18,560	23,800	4.23	2.41	2.09	1.81	1.45
34'	L	348	13,600	17,420	19,720	25,270	2.91	1.68	1.45	1.26	1.00
	M	442	22,100	28,270	19,720	25,270	3.67	2.12	1.84	1.59	1.27
	H	538	30,600	39,185	19,720	25,270	4.52	2.58	2.24	1.94	1.55
36'	L	367	14,400	18,450	20,880	26,770	3.07	1.77	1.53	1.33	1.05
	M	466	23,400	29,930	20,880	26,770	3.88	2.24	1.94	1.68	1.33
	H	569	32,400	41,510	20,880	26,770	4.78	2.73	2.36	2.05	1.64
38'	L	386	15,200	19,470	22,040	28,250	3.23	1.86	1.61	1.40	1.11
	M	491	24,700	31,590	22,040	28,250	4.08	2.35	2.04	1.76	1.40
	H	599	34,200	43,800	22,040	28,250	5.03	2.87	2.49	2.16	1.72
40'	L	405	16,000	20,500	23,200	29,750	3.40	1.95	1.69	1.47	1.16
	M	515	26,000	33,250	23,200	29,750	4.29	2.47	2.14	1.85	1.46
	H	630	36,000	46,125	23,200	29,750	5.29	3.02	2.61	2.27	1.81
42'	L	429	16,800	21,520	24,360	31,220	3.59	2.07	1.79	1.55	1.23
	M	545	27,300	34,920	24,360	31,220	4.53	2.61	2.26	1.96	1.56
	H	664	37,800	48,410	24,360	31,220	5.58	3.19	2.76	2.39	1.91
44'	L	448	17,600	22,550	25,520	32,720	3.75	2.16	1.87	1.62	1.28
	M	569	28,600	36,580	25,520	32,720	4.74	2.73	2.37	2.05	1.62
	H	695	39,600	50,735	25,520	32,720	5.84	3.33	2.89	2.50	2.00
46'	L	467	18,400	23,570	26,680	34,200	3.91	2.25	1.95	1.69	1.34
	M	594	29,900	38,240	26,680	34,200	4.94	2.84	2.47	2.14	1.69
	H	725	41,400	53,025	26,680	34,200	6.08	3.47	3.01	2.61	2.08
48'	L	486	19,200	24,600	27,840	35,700	4.08	2.34	2.03	1.76	1.39
	M	618	31,200	39,900	27,840	35,700	5.15	2.96	2.57	2.22	1.75
	H	756	43,200	55,350	27,840	35,700	6.35	3.62	3.14	2.72	2.17
50'	L	510	20,000	25,620	29,000	37,170	4.27	2.46	2.13	1.84	1.46
	M	648	32,500	41,570	29,000	37,170	5.39	3.10	2.69	2.33	1.85
	H	790	45,000	57,635	29,000	37,170	6.63	3.79	3.28	2.84	2.27
52'	L	529	20,800	26,650	30,160	38,670	4.43	2.55	2.21	1.91	1.51
	M	672	33,800	43,230	30,160	38,670	5.60	3.22	2.79	2.42	1.91
	H	821	46,800	59,960	30,160	38,670	6.89	3.94	3.41	2.95	2.36

* Electrical data at 25°C (77°F). Actual wattage may differ by +/- 10% when operating between 120-277V or 347V +/- 10%.
 ** Initial delivered lumens at 25°C (77°F). Actual production yield may vary between -10 and +10% of initial delivered lumens.

Stylus™ LED Suspended Direct/Indirect Specification Grade Luminaire

Delivered Lumens & Electrical Data*												
Length	Direct Lumen Package	Indirect Lumen Package										
		Medium Lumen Package										
		System Watts	Initial Delivered Lumens** Lambertian/Wall Wash Distributions				Total Current (A)					
		120-347V	Batwing Indirect					120V	208V	240V	277V	347V
			Downlight		Uplight							
90 CRI	80 CRI		90 CRI	80 CRI								
54'	L	548	21,600	27,670	31,320	40,150	4.59	2.64	2.29	1.98	1.57	
	M	697	35,100	44,890	31,320	40,150	5.80	3.34	2.89	2.51	1.98	
	H	851	48,600	62,250	31,320	40,150	7.14	4.08	3.53	3.06	2.44	
56'	L	567	22,400	28,700	32,480	41,650	4.75	2.73	2.37	2.05	1.63	
	M	721	36,400	46,550	32,480	41,650	6.00	3.46	3.00	2.60	2.05	
	H	882	50,400	64,575	32,480	41,650	7.40	4.22	3.66	3.17	2.54	
58'	L	591	23,200	29,720	33,640	43,120	4.95	2.85	2.47	2.14	1.69	
	M	751	37,700	48,220	33,640	43,120	6.25	3.60	3.12	2.70	2.14	
	H	916	52,200	66,860	33,640	43,120	7.69	4.39	3.81	3.30	2.63	
60'	L	610	24,000	30,750	34,800	44,620	5.11	2.94	2.55	2.21	1.75	
	M	775	39,000	49,880	34,800	44,620	6.45	3.72	3.22	2.79	2.21	
	H	947	54,000	69,185	34,800	44,620	7.95	4.54	3.93	3.41	2.73	
62'	L	629	24,800	31,770	35,960	46,100	5.27	3.03	2.63	2.28	1.81	
	M	800	40,300	51,540	35,960	46,100	6.65	3.83	3.32	2.88	2.28	
	H	977	55,800	71,475	35,960	46,100	8.20	4.68	4.06	3.51	2.81	
64'	L	648	25,600	32,800	37,120	47,600	5.43	3.12	2.71	2.35	1.86	
	M	824	41,600	53,200	37,120	47,600	6.86	3.95	3.42	2.97	2.34	
	H	1008	57,600	73,800	37,120	47,600	8.46	4.83	4.18	3.62	2.90	
66'	L	672	26,400	33,820	38,280	49,070	5.63	3.24	2.81	2.43	1.93	
	M	854	42,900	54,870	38,280	49,070	7.10	4.09	3.55	3.07	2.44	
	H	1042	59,400	76,085	38,280	49,070	8.75	5.00	4.33	3.75	3.00	
68'	L	691	27,200	34,850	39,440	50,570	5.79	3.33	2.89	2.50	1.98	
	M	878	44,200	56,530	39,440	50,570	7.31	4.21	3.65	3.16	2.50	
	H	1073	61,200	78,410	39,440	50,570	9.01	5.14	4.46	3.86	3.09	
70'	L	710	28,000	35,870	40,600	52,050	5.95	3.42	2.96	2.57	2.04	
	M	903	45,500	58,190	40,600	52,050	7.51	4.33	3.75	3.25	2.57	
	H	1103	63,000	80,700	40,600	52,050	9.26	5.28	4.58	3.97	3.17	
72'	L	729	28,800	36,900	41,760	53,550	6.11	3.51	3.05	2.64	2.09	
	M	927	46,800	59,850	41,760	53,550	7.72	4.44	3.85	3.34	2.63	
	H	1134	64,800	83,025	41,760	53,550	9.52	5.43	4.71	4.08	3.26	

* Electrical data at 25°C (77°F). Actual wattage may differ by +/- 10% when operating between 120-277V or 347V +/- 10%.
 ** Initial delivered lumens at 25°C (77°F). Actual production yield may vary between -10 and +10% of initial delivered lumens.

Stylus™ LED Suspended Direct/Indirect Specification Grade Luminaire

Delivered Lumens & Electrical Data*													
Length	Direct Lumen Package	Indirect Lumen Package											
		High Lumen Package											
		System Watts	Initial Delivered Lumens** Lambertian/Wall Wash Distributions Direct				Total Current (A)						
		120-347V	Batwing Indirect						120V	208V	240V	277V	347V
			Downtight		Uplight								
90 CRI	80 CRI		90 CRI	80 CRI	90 CRI	80 CRI							
2'	L	29	800	1,020	1,600	2,050	0.24	0.14	0.12	0.11	0.08		
	M	34	1,300	1,660	1,600	2,050	0.29	0.17	0.14	0.12	0.10		
	H	40	1,800	2,300	1,600	2,050	0.34	0.19	0.17	0.14	0.11		
4'	L	53	1,600	2,050	3,200	4,100	0.44	0.25	0.22	0.19	0.15		
	M	64	2,600	3,330	3,200	4,100	0.53	0.31	0.27	0.23	0.19		
	H	75	3,600	4,610	3,200	4,100	0.63	0.36	0.31	0.27	0.22		
6'	L	77	2,400	3,070	4,800	6,150	0.64	0.37	0.32	0.28	0.22		
	M	94	3,900	4,990	4,800	6,150	0.78	0.45	0.39	0.34	0.27		
	H	110	5,400	6,900	4,800	6,150	0.93	0.53	0.46	0.40	0.31		
8'	L	101	3,200	4,100	6,400	8,200	0.85	0.49	0.42	0.37	0.29		
	M	123	5,200	6,650	6,400	8,200	1.03	0.59	0.51	0.44	0.35		
	H	146	7,200	9,225	6,400	8,200	1.23	0.70	0.61	0.53	0.42		
10'	L	127	4,000	5,125	8,000	10,250	1.06	0.61	0.53	0.46	0.37		
	M	153	6,500	8,325	8,000	10,250	1.29	0.74	0.64	0.55	0.44		
	H	185	9,000	11,525	8,000	10,250	1.55	0.89	0.77	0.67	0.53		
12'	L	153	4,800	6,150	9,600	12,300	1.28	0.74	0.64	0.55	0.44		
	M	188	7,800	9,975	9,600	12,300	1.56	0.90	0.78	0.68	0.54		
	H	222	10,800	13,825	9,600	12,300	1.86	1.07	0.92	0.80	0.63		
14'	L	178	5,600	7,170	11,200	14,350	1.49	0.86	0.75	0.65	0.51		
	M	217	9,100	11,640	11,200	14,350	1.81	1.04	0.90	0.78	0.62		
	H	256	12,600	16,125	11,200	14,350	2.15	1.23	1.07	0.92	0.73		
16'	L	202	6,400	8,200	12,800	16,400	1.70	0.98	0.85	0.73	0.58		
	M	246	10,400	13,300	12,800	16,400	2.05	1.18	1.02	0.89	0.70		
	H	292	14,400	18,450	12,800	16,400	2.45	1.40	1.21	1.05	0.84		
18'	L	231	7,200	9,220	14,400	18,450	1.93	1.11	0.97	0.84	0.66		
	M	281	11,700	14,970	14,400	18,450	2.34	1.35	1.17	1.01	0.81		
	H	331	16,200	20,735	14,400	18,450	2.78	1.59	1.38	1.20	0.95		
20'	L	255	8,000	10,250	16,000	20,500	2.14	1.23	1.07	0.92	0.73		
	M	310	13,000	16,630	16,000	20,500	2.58	1.49	1.29	1.12	0.89		
	H	367	18,000	23,060	16,000	20,500	3.08	1.76	1.53	1.32	1.06		
22'	L	279	8,800	11,270	17,600	22,550	2.34	1.35	1.17	1.01	0.81		
	M	340	14,300	18,290	17,600	22,550	2.83	1.63	1.41	1.23	0.98		
	H	402	19,800	25,350	17,600	22,550	3.38	1.93	1.67	1.45	1.16		
24'	L	303	9,600	12,300	19,200	24,600	2.54	1.46	1.27	1.10	0.87		
	M	369	15,600	19,950	19,200	24,600	3.08	1.77	1.54	1.33	1.05		
	H	438	21,600	27,675	19,200	24,600	3.68	2.10	1.82	1.58	1.26		
26'	L	332	10,400	13,320	20,800	26,650	2.78	1.60	1.39	1.20	0.95		
	M	404	16,900	21,620	20,800	26,650	3.36	1.94	1.68	1.46	1.16		
	H	477	23,400	29,960	20,800	26,650	4.01	2.29	1.99	1.72	1.37		

* Electrical data at 25°C (77°F). Actual wattage may differ by +/- 10% when operating between 120-277V or 347V +/- 10%.
 ** Initial delivered lumens at 25°C (77°F). Actual production yield may vary between -10 and +10% of initial delivered lumens.

Stylus™ LED Suspended Direct/Indirect Specification Grade Luminaire

Delivered Lumens & Electrical Data*												
Length	Direct Lumen Package	Indirect Lumen Package										
		High Lumen Package										
		System Watts	Initial Delivered Lumens** Lambertian/Wall Wash Distributions				Total Current (A)					
		120-347V	Batwing Indirect					120V	208V	240V	277V	347V
			Downlight		Uplight							
90 CRI	80 CRI		90 CRI	80 CRI								
28'	L	356	11,200	14,350	22,400	28,700	2.98	1.72	1.49	1.29	1.02	
	M	433	18,200	23,280	22,400	28,700	3.61	2.08	1.80	1.56	1.24	
	H	513	25,200	32,285	22,400	28,700	4.31	2.46	2.14	1.85	1.48	
30'	L	380	12,000	15,370	24,000	30,750	3.19	1.83	1.59	1.38	1.10	
	M	463	19,500	24,940	24,000	30,750	3.86	2.22	1.93	1.67	1.33	
	H	548	27,000	34,575	24,000	30,750	4.60	2.63	2.28	1.98	1.58	
32'	L	404	12,800	16,400	25,600	32,800	3.39	1.95	1.69	1.46	1.16	
	M	492	20,800	26,600	25,600	32,800	4.10	2.36	2.05	1.77	1.40	
	H	584	28,800	36,900	25,600	32,800	4.90	2.80	2.43	2.10	1.68	
34'	L	433	13,600	17,420	27,200	34,850	3.63	2.09	1.81	1.57	1.24	
	M	527	22,100	28,270	27,200	34,850	4.39	2.53	2.19	1.90	1.51	
	H	623	30,600	39,185	27,200	34,850	5.23	3.00	2.60	2.25	1.79	
36'	L	457	14,400	18,450	28,800	36,900	3.83	2.20	1.91	1.66	1.31	
	M	556	23,400	29,930	28,800	36,900	4.64	2.67	2.32	2.01	1.59	
	H	659	32,400	41,510	28,800	36,900	5.54	3.16	2.74	2.38	1.90	
38'	L	481	15,200	19,470	30,400	38,950	4.03	2.32	2.01	1.74	1.39	
	M	586	24,700	31,590	30,400	38,950	4.88	2.81	2.44	2.11	1.68	
	H	694	34,200	43,800	30,400	38,950	5.83	3.33	2.89	2.50	2.00	
40'	L	505	16,000	20,500	32,000	41,000	4.24	2.44	2.11	1.83	1.45	
	M	615	26,000	33,250	32,000	41,000	5.13	2.95	2.56	2.22	1.75	
	H	730	36,000	46,125	32,000	41,000	6.13	3.50	3.04	2.63	2.10	
42'	L	534	16,800	21,520	33,600	43,050	4.47	2.58	2.23	1.93	1.53	
	M	650	27,300	34,920	33,600	43,050	5.42	3.12	2.71	2.34	1.86	
	H	769	37,800	48,410	33,600	43,050	6.46	3.70	3.20	2.78	2.21	
44'	L	558	17,600	22,550	35,200	45,100	4.68	2.69	2.33	2.02	1.60	
	M	679	28,600	36,580	35,200	45,100	5.66	3.26	2.83	2.45	1.94	
	H	805	39,600	50,735	35,200	45,100	6.76	3.86	3.35	2.90	2.32	
46'	L	582	18,400	23,570	36,800	47,150	4.88	2.81	2.44	2.11	1.68	
	M	709	29,900	38,240	36,800	47,150	5.91	3.40	2.95	2.56	2.03	
	H	840	41,400	53,025	36,800	47,150	7.05	4.03	3.50	3.03	2.42	
48'	L	606	19,200	24,600	38,400	49,200	5.09	2.93	2.54	2.20	1.74	
	M	738	31,200	39,900	38,400	49,200	6.16	3.55	3.07	2.66	2.10	
	H	876	43,200	55,350	38,400	49,200	7.36	4.20	3.64	3.16	2.52	
50'	L	635	20,000	25,620	40,000	51,250	5.32	3.06	2.66	2.30	1.83	
	M	773	32,500	41,570	40,000	51,250	6.44	3.71	3.22	2.79	2.22	
	H	915	45,000	57,635	40,000	51,250	7.69	4.40	3.81	3.30	2.64	
52'	L	659	20,800	26,650	41,600	53,300	5.53	3.18	2.76	2.39	1.89	
	M	802	33,800	43,230	41,600	53,300	6.69	3.85	3.34	2.89	2.29	
	H	951	46,800	59,960	41,600	53,300	7.99	4.57	3.96	3.43	2.74	

* Electrical data at 25°C (77°F). Actual wattage may differ by +/- 10% when operating between 120-277V or 347V +/- 10%.
 ** Initial delivered lumens at 25°C (77°F). Actual production yield may vary between -10 and +10% of initial delivered lumens.

Stylus™ LED Suspended Direct/Indirect Specification Grade Luminaire

Delivered Lumens & Electrical Data*											
Length	Direct Lumen Package	Indirect Lumen Package									
		High Lumen Package									
		System Watts	Initial Delivered Lumens** Lambertian/Wall Wash Distributions Direct				Total Current (A)				
		120-347V	Batwing Indirect				120V	208V	240V	277V	347V
			Downlight		Uplight						
90 CRI	80 CRI		90 CRI	80 CRI							
54'	L	683	21,600	27,670	43,200	55,350	5.73	3.30	2.86	2.48	1.97
	M	832	35,100	44,890	43,200	55,350	6.94	4.00	3.46	3.00	2.38
	H	986	48,600	62,250	43,200	55,350	8.28	4.73	4.10	3.55	2.84
56'	L	707	22,400	28,700	44,800	57,400	5.93	3.41	2.96	2.56	2.03
	M	861	36,400	46,550	44,800	57,400	7.18	4.14	3.58	3.11	2.45
	H	1022	50,400	64,575	44,800	57,400	8.58	4.90	4.25	3.68	2.94
58'	L	736	23,200	29,720	46,400	59,450	6.17	3.55	3.08	2.67	2.12
	M	896	37,700	48,220	46,400	59,450	7.47	4.30	3.73	3.23	2.57
	H	1061	52,200	66,860	46,400	59,450	8.91	5.10	4.42	3.83	3.06
60'	L	760	24,000	30,750	48,000	61,500	6.37	3.67	3.18	2.75	2.18
	M	925	39,000	49,880	48,000	61,500	7.71	4.44	3.85	3.34	2.64
	H	1097	54,000	69,185	48,000	61,500	9.21	5.27	4.56	3.95	3.16
62'	L	784	24,800	31,770	49,600	63,550	6.58	3.78	3.28	2.84	2.26
	M	955	40,300	51,540	49,600	63,550	7.96	4.59	3.97	3.44	2.73
	H	1132	55,800	71,475	49,600	63,550	9.51	5.43	4.71	4.08	3.26
64'	L	808	25,600	32,800	51,200	65,600	6.78	3.90	3.38	2.93	2.32
	M	984	41,600	53,200	51,200	65,600	8.21	4.73	4.10	3.55	2.80
	H	1168	57,600	73,800	51,200	65,600	9.81	5.60	4.86	4.21	3.36
66'	L	837	26,400	33,820	52,800	67,650	7.02	4.04	3.50	3.03	2.41
	M	1019	42,900	54,870	52,800	67,650	8.49	4.89	4.24	3.68	2.92
	H	1207	59,400	76,085	52,800	67,650	10.14	5.80	5.02	4.35	3.48
68'	L	861	27,200	34,850	54,400	69,700	7.22	4.15	3.60	3.12	2.47
	M	1048	44,200	56,530	54,400	69,700	8.74	5.04	4.36	3.78	2.99
	H	1243	61,200	78,410	54,400	69,700	10.44	5.97	5.17	4.48	3.58
70'	L	885	28,000	35,870	56,000	71,750	7.42	4.27	3.70	3.21	2.55
	M	1078	45,500	58,190	56,000	71,750	8.99	5.18	4.49	3.89	3.08
	H	1278	63,000	80,700	56,000	71,750	10.73	6.14	5.32	4.61	3.68
72'	L	909	28,800	36,900	57,600	73,800	7.63	4.39	3.80	3.29	2.61
	M	1107	46,800	59,850	57,600	73,800	9.23	5.32	4.61	3.99	3.15
	H	1314	64,800	83,025	57,600	73,800	11.03	6.30	5.46	4.73	3.78

* Electrical data at 25°C [77°F]. Actual wattage may differ by +/- 10% when operating between 120-277V or 347V +/- 10%.
 ** Initial delivered lumens at 25°C [77°F]. Actual production yield may vary between -10 and +10% of initial delivered lumens.