

# SmartCast® Wireless Gateway

SmartCast® Wireless Gateway for SmartCast® Wireless Lighting Networks

Rev. Date: V2 10/02/2019

## Product Description

The SmartCast® Wireless Gateway, enables system integration for SmartCast® Wireless lighting networks. The SmartCast® Wireless Gateway amplifies the savings potential of a building through integration of sensors and data with other systems like BMS or HVAC, and by using the SmartCast Advisor™ application to gain actionable insights that enable savings. Part of Cree's SmartCast Intelligence Platform™, the SmartCast® Wireless Gateway helps deliver smart building solutions that offer value beyond light to make businesses more profitable.

The SmartCast® Wireless Gateway with Wi-Fi, combined with the SmartCast® Touchscreen unlocks dynamic lighting and scene control capability for your existing Smartcast wireless lighting network or new installation. It delivers a unique lighting experience when used with Cadiant Skylight.

## Performance Summary

SmartCast® Technology enabled

Powered by Power over Ethernet or DC injector

Enables system integration and analytics

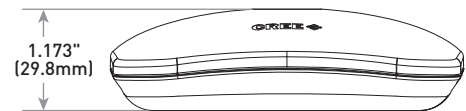
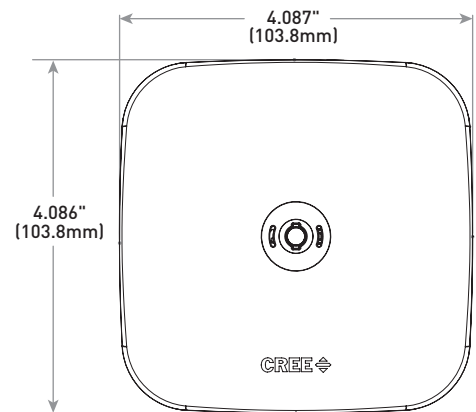
Small, low-profile design

**Limited Warranty\*:** 5 years

\*See <http://creelighting.com/warranty> for warranty terms

## Accessories

Field-Installed
<b>SmartCast Link™</b> CSC-LINK-01 - Only compatible with SmartCast® Wireless Gateway(s) to enable integration, software apps, API, and IoT
<b>SmartCast Wall Plug Power Supply</b> CSC-WPS-120V - For use with SmartCast® Wireless Gateway with Wi-Fi. Includes 6" CAT5E Ethernet patch cable
<b>SmartCast® Wireless Gateway J-Box Mounting Plate</b> CSC-GW-JBOX-ADPTR - For use with all the versions of SmartCast® Wireless Gateway



## Ordering Information

Example: CSC-GW-CWC

CSC-GW	
Product	Option
<b>CSC-GW</b> SmartCast® Wireless Gateway	<b>CWC</b> SmartCast® Wireless <b>CWC-W</b> SmartCast® Wireless with Wi-Fi 802.11a/b/g/n/ac, 2.4GHz +5.0GHz

## Product Specifications

### CREE SMARTCAST® TECHNOLOGY

With the SmartCast Intelligence Platform™, Cree Lighting has totally redefined intelligent lighting by making it so intuitive and simple, it just works - for you and for everyone who experiences it. SmartCast® Technology saves money while helping make organizations more productive, delivering up to 70% energy savings at up to half the cost of other solutions. Luminaires combine best-in-class light with onboard sensors and intelligence to deliver extreme energy productivity, code compliance and a better light experience without any extra design, installation or setup work.

### MECHANICAL SYSTEM

- Mounts to T-bar grid with included mounting clip
- Low-profile enclosure
- Meets plenum requirements defined in UL508
- **Weight:** <1lb (<0.5kg)

### ELECTRICAL SYSTEM

- **Input Power:** 2W
- Powered by Power Over Ethernet (POE) port (IEEE 802.3.af)
  - Wireless Gateway with Wi-Fi can be powered by standalone DC power injector (CSC-WPS-120V)
- Maximum distance from POE switch: 300ft (100m)
- Requires Cat5, Cat5e, or Cat6 wire connection

### INTEGRAL WIRELESS COMMUNICATION

- 2.4GHz wireless mesh technology with AES 128-bit encryption
- **Range:**
  - 30 ft. (9.1m) in typical commercial applications
  - 300 ft. (91.4m) open air without obstructions

- **Network:** 250 devices max.
- One SmartCast® Wireless Gateway required per SmartCast® Wireless Lighting Network

### ETHERNET COMMUNICATION

- IEEE 802.3.af
- **Maximum distance from POE switch:** 300ft (100m)
- Requires Cat5, Cat5e, or Cat6 wire connection

### WI-FI COMMUNICATION (CSC-GW-CWC-W ONLY)

- IEEE 802.11 a/b/g/n/ac 2.4GHz +5.0GHz
- Supports SmartCast Touchscreen control and configuration
  - Does not support connection to Enterprise IT network
- Not compatible with SmartCast Link device

### DEPLOYMENT

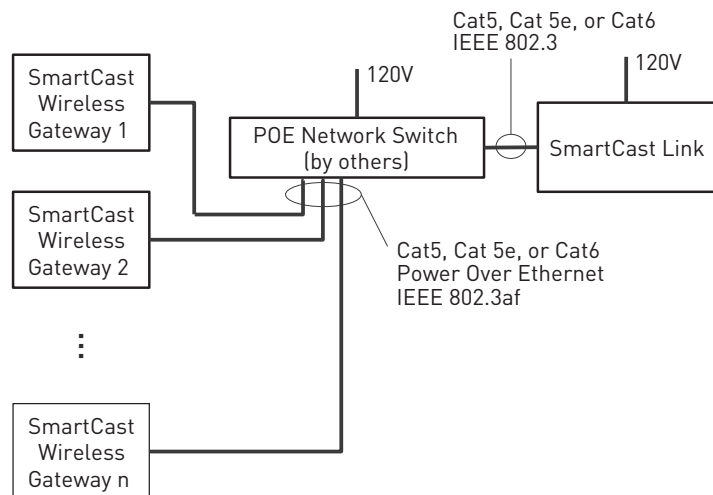
- Please refer to the SmartCast® Deployment Guide: <https://www.creelink.com/exlink.asp?236135640H88E44I39771048>

### REGULATORY & VOLUNTARY QUALIFICATIONS

- cULus Listed
- Suitable for damp locations
- FCC certified
- IC Certified
- **CA RESIDENTS WARNING:** Cancer and Reproductive Harm – [www.p65warnings.ca.gov](http://www.p65warnings.ca.gov)

## System Diagram

SmartCast® Wireless Gateway (CSC-GW-CWC)



SmartCast® Wireless Gateway with Wi-Fi (CSC-GW-CWC-W)

