

IMPORTANT SAFEGUARDS

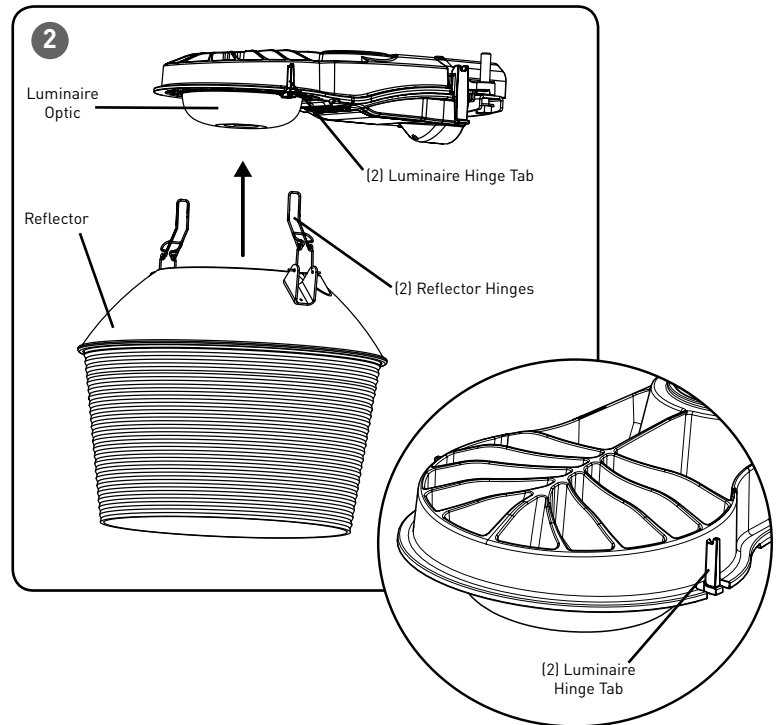
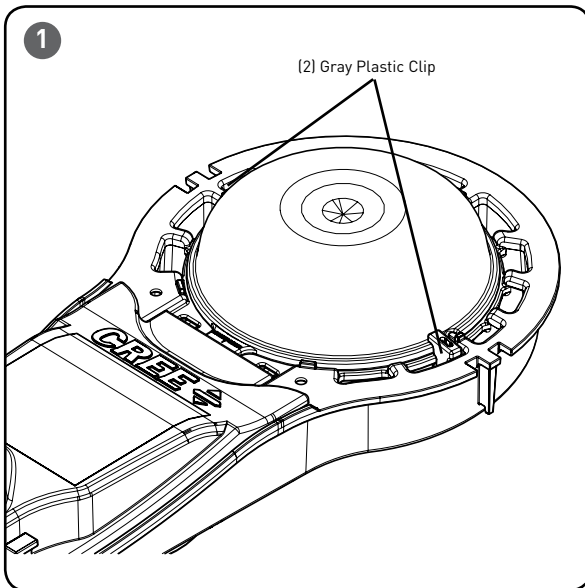
When using electrical equipment, basic safety precautions should always be followed including the following:

READ AND FOLLOW ALL SAFETY INSTRUCTIONS

1. **DANGER**- Risk of shock- Disconnect power before installation.
DANGER – Risque de choc – Couper l'alimentation avant l'installation.
2. This luminaire must be installed in accordance with the NEC or your local electrical code. If you are not familiar with these codes and requirements, consult a qualified electrician.
Ce produit doit être installé conformément à NEC ou votre code électrique local. Si vous n'êtes pas familier avec ces codes et ces exigences, veuillez contacter un électricien qualifié.

SAVE THESE INSTRUCTIONS FOR FUTURE REFERENCE

TO INSTALL:



INSTALLATION

STEP 1:

Remove (2) gray plastic clips from the lens housing by twisting and pulling the gray clips off with pliers. See **Figure 1**.

STEP 2:

Place the reflector over the luminaire optic. See **Figure 2**.

STEP 3:

Secure the reflector by locking the hinges on the reflector over the luminaire hinge tab. Push down on hinges until it clicks. See **Figure 2**.

