

IMPORTANT SAFEGUARDS

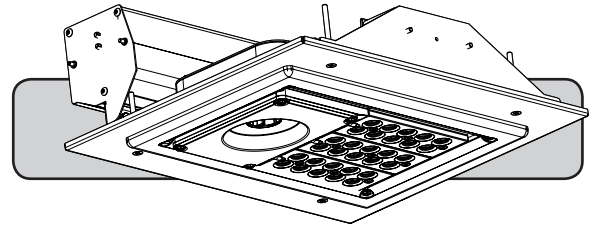
When using electrical equipment, basic safety precautions should always be followed including the following:

READ AND FOLLOW ALL SAFETY INSTRUCTIONS

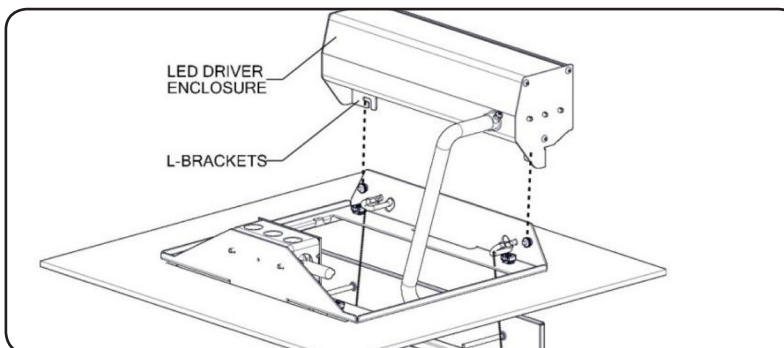
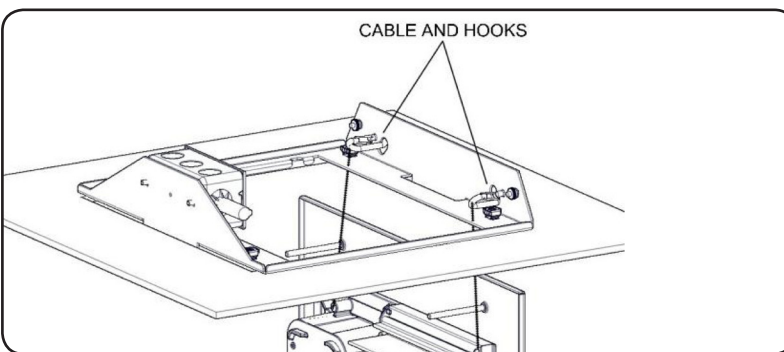
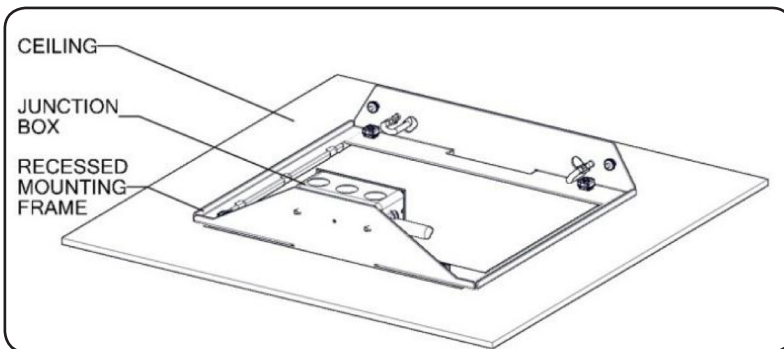
- 1. DANGER- Risk of shock- Disconnect power before installation.**
DANGER – Risque de choc – Couper l'alimentation avant l'installation.
- This luminaire must be installed in accordance with the NEC or your local electrical code. If you are not familiar with these codes and requirements, consult a qualified electrician.
Ce produit doit être installé conformément à NEC ou votre code électrique local. Si vous n'êtes pas familier avec ces codes et ces exigences, veuillez contacter un électricien qualifié.
- This luminaire must be supported by building structure that is capable of supporting fixture weight.
- This luminaire is listed as Type IC and is suitable for direct contact with insulation.
- Ensure the mounting surface is capable of supporting the weight of the luminaire.

SAVE THESE INSTRUCTIONS FOR FUTURE REFERENCE

INSTALLATION INSTRUCTIONS INSTRUCTIONS D'INSTALLATION



TO INSTALL:



LUMINAIRE INSTALLATION

STEP 1:

This luminaire is meant to be installed into a ceiling with an opening measuring 12" by 12" square. Ensure the mounting surface is capable of supporting the weight of the luminaire.

STEP 2:

Insert the mounting frame through the opening in the ceiling and rest on the top surface of the ceiling as shown in **Figure 1**.

STEP 3:

Remove the junction box cover and bring in appropriate electrical connections to the junction box using one of the knock-outs.

STEP 4:

Wire luminaire per **"Electrical Connections"** section.

STEP 5:

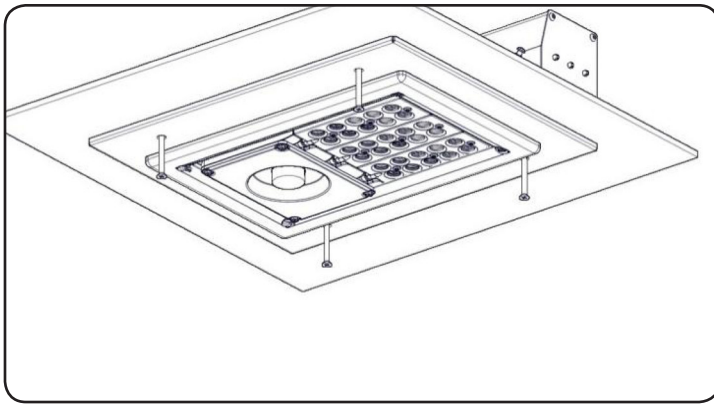
Hang LED luminaire from mounting frame by the two provided cables. See **Figure 2**.

STEP 6:

Being careful not to twist the conduit, insert the LED Driver Enclosure through the center of the installed Recessed Mounting Frame.

STEP 7:

Align the (2) L-Brackets with the (2) retained mounting screws attached to the Recessed Mounting Frame and slide the LED Driver Enclosure in to place as shown in **Figure 3**. Tighten the mounting screws.



STEP 8:

Connect the conduit to the junction box.

STEP 9:

Lift luminaire into place and secure using the (4) provided self-retained mounting screws. See **Figure 4.**

ELECTRICAL CONNECTIONS

STEP 1:

Using 90°C minimum rated wire connectors, make the following electrical connections within Junction Box:

- a. Connect the black fixture lead to the voltage supply lead or Hot 1 (for 208/240V wiring).
- b. Connect the white fixture lead to the neutral supply lead or Hot 2 (for 208/240V wiring).
- c. Connect the green or green/yellow ground lead to the green lead.
- d. If Dimming is an option; connect the violet dimming positive lead to the supply dimming positive lead.
- e. If Dimming is an option; connect the grey dimming negative lead to the supply dimming negative lead.

