

SmartCast Wireless Plug Load Controller™

Receptacle and Plug Load Switching Control for SmartCast® Wireless systems

Product Description

The SmartCast Wireless Plug Load Controller™ enables switched control of 20A receptacles for easy compliance with California Title 24 and ASHRAE 90.1 standards. Cree SmartCast® Technology, Cree's intelligent light solution, provides extreme energy productivity and code compliance - all with installation that's so intuitive and simple, it just works. Part of Cree's SmartCast® Intelligence Platform™, the SmartCast Wireless Plug Load Controller™ helps deliver smart building solutions that offer value beyond light to make businesses more profitable.

Performance Summary

Cree SmartCast® Technology enabled

Title 24 and ASHRAE 90.1 compliant

Controls 15A/20A receptacles

Quick and easy installation

Limited Warranty: 5 years†

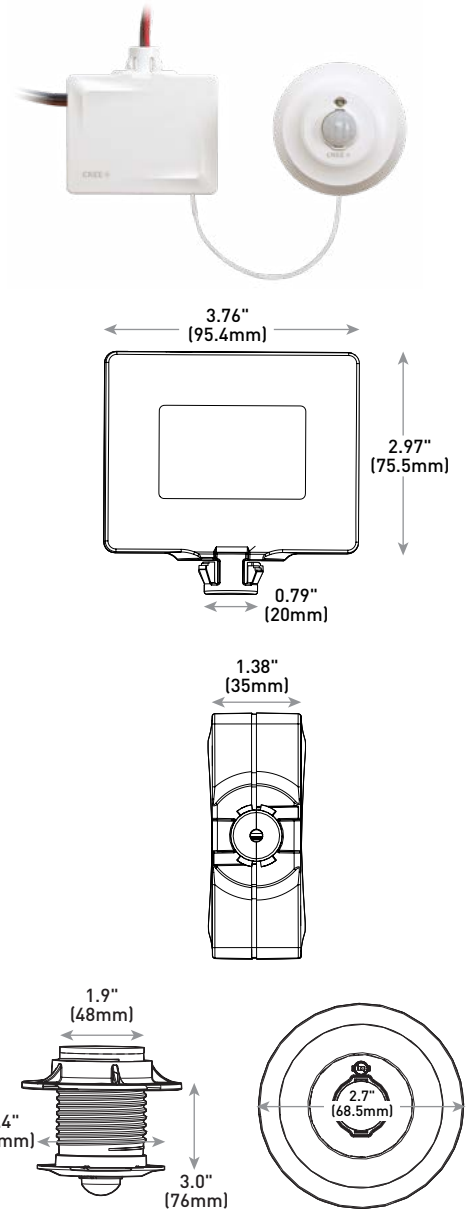
† See <http://lighting.cree.com/warranty> for warranty terms

Accessories

Field-Installed

Cree SmartCast® Technology Configuration Tool
CCT-CWC-1
- One required per SmartCast® project

Control Module Occupancy Sensor



Ordering Information

Example: CPLC-JB-CWC

CPLC	JB	CWC
Product	Mounting	Options
CPLC Plug Load Control	JB Junction box mount for 1/2" knockout	CWC SmartCast® Wireless



Rev. Date: V1 10/09/2018



US: lighting.cree.com

T (800) 236-6800 F (262) 504-5415

Canada: www.cree.com/canada

T (800) 473-1234 F (800) 890-7507

Product Specifications

CREE SMARTCAST® TECHNOLOGY

Cree SmartCast® Technology is the most intuitive and easiest to install intelligent light solution on the market. SmartCast Technology delivers up to 70% energy savings at up to half the cost of other solutions. Luminaires combine best-in-class light with onboard sensors and intelligence to deliver a better light experience. Extreme energy productivity, code compliance and a better light experience without any extra design, installation or setup work.

MECHANICAL SYSTEM

- Installs into 1/2" (13mm) knockout in junction box or fixture
- Sensor module installs into ceiling tile or drywall ceiling (0.25" - 1.5" [6mm - 38mm] thickness)
- Can be installed into air handling space (plenum) per requirements of the National Electric Code (NEC)*

ELECTRICAL SYSTEM

- **Input Voltage:** 120, 60Hz
- **Input Power:** <1W standby power
- **Switched output (max.):** 20A general purpose receptacles
 - 20A resistive
 - 20A ballast
 - 1HP motor loads
- Works with 15A and 20A standard and ground fault circuit interruptible (GFCI) receptacles
- Latching switched hot output
- **Not for use with equipment that requires constant power or equipment that presents a hazard if automatically energized**
- 10 year power fail memory of settings
- Low-Voltage Dry Contact Closure Output (CCO) supports integration with other systems (e.g. HVAC and VAV devices)
 - **Voltage:** Class 2; 20-24VDC; 0.5A
 - Normally open (NO) and normally closed (NC) contacts
 - Not intended to control unclamped, inductive loads such as relays, solenoids, contactors, and motors

INTEGRAL WIRELESS COMMUNICATION

- 2.4GHz wireless mesh technology with AES 128-bit encryption.
- Self assigns to quietest channel during OneButton™ Setup
- **Range:**
 - 30' (9.1m) in typical commercial applications
 - 300' (91.4m) open air without obstructions
- **Network:** 250 devices max
- **Space:** 100 devices max. per group

INTEGRAL MOTION SENSOR

- Passive infrared (PIR)
- **Coverage area:** 100 sq. ft. (30.5m²) at 10' (3.0m) mounting height
- Not intended to be mounted higher than 12' (3.7m)

INTEGRAL AMBIENT LIGHT SENSOR

- Not intended to be mounted higher than 12' (3.7m)

DEPLOYMENT

- Please refer to the SmartCast® Deployment Guide at www.creelink.com/exLink.asp?236135640H88E44139771048

REGULATORY & VOLUNTARY QUALIFICATIONS

- cULus Listed
- Suitable for damp locations
- FCC certified
- IC certified
- Designed for Indoor use
- **CA RESIDENTS WARNING:** Cancer and Reproductive Harm - www.p65warnings.ca.gov

Wiring Diagram

WIRELESS PLUG LOAD CONTROLLER

