

## IMPORTANT SAFEGUARDS

INSTALLATION INSTRUCTIONS  
INSTRUCTIONS D'INSTALLATION

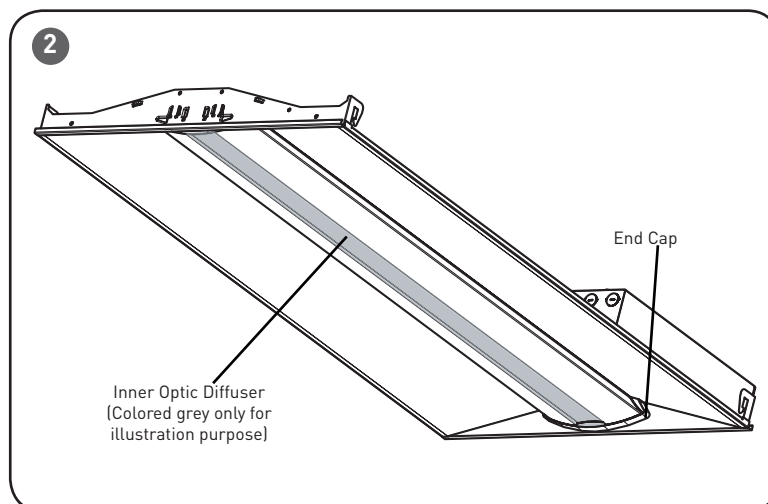
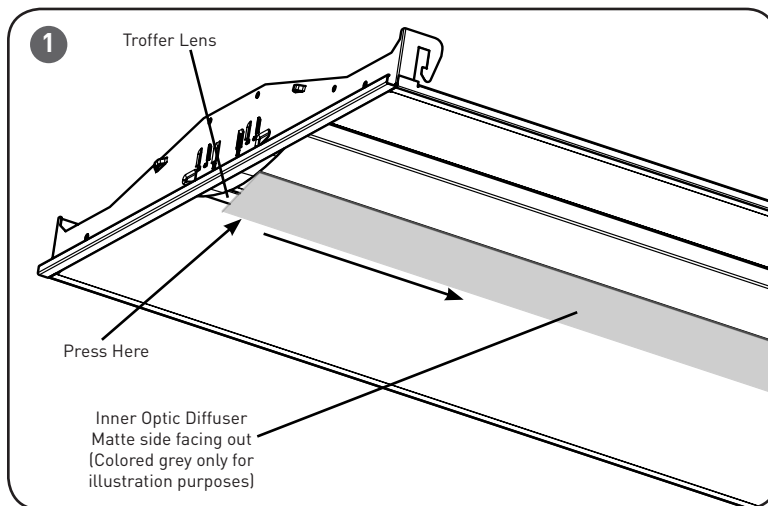
When using electrical equipment, basic safety precautions should always be followed including the following:

### READ AND FOLLOW ALL SAFETY INSTRUCTIONS

1. **DANGER**- Risk of shock- Disconnect power before installation.  
**DANGER** – *Risque de choc – Couper l'alimentation avant l'installation.*

### SAVE THESE INSTRUCTIONS FOR FUTURE REFERENCE

#### TO INSTALL:



#### STEP 1:

Bring the inner optic diffuser up into the FLEX troffer and insert (slide) one side of the long edge over the lens as shown in **Figure 1**.

#### STEP 2:

Gently press the other side of the long edge of the diffuser down across the full length of the troffer. See **Figure 1**.

#### STEP 3:

If needed shift the inner optic diffuser left to right to center it on the troffer so that there are no gaps by the end caps. See **Figure 2**.

#### REMOVAL OF INNER OPTIC DIFFUSER

#### STEP 1:

Remove lens and end cap assembly by pulling straight downward gently.

#### STEP 2:

Remove the end cap from one side of the lens and end cap assembly that was just removed from the troffer.

#### STEP 3:

Slide the inner optic diffuser out of the lens and end cap assembly.

#### STEP 4:

Reinstall lens and end cap assembly onto FLEX troffer.