

IMPORTANT SAFEGUARDS

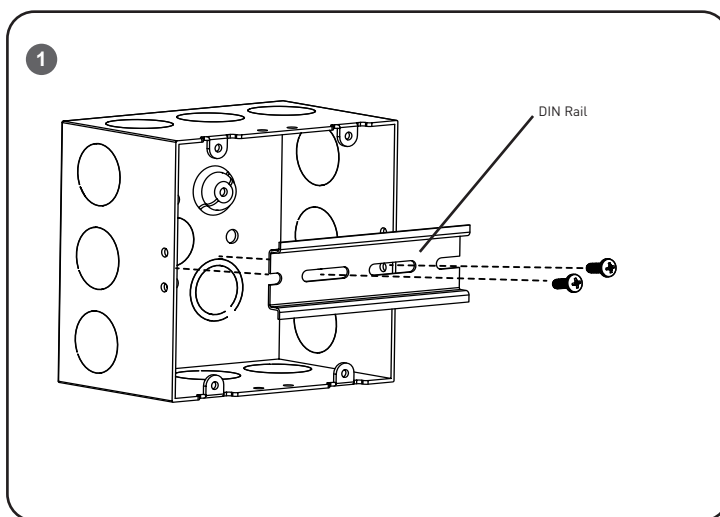
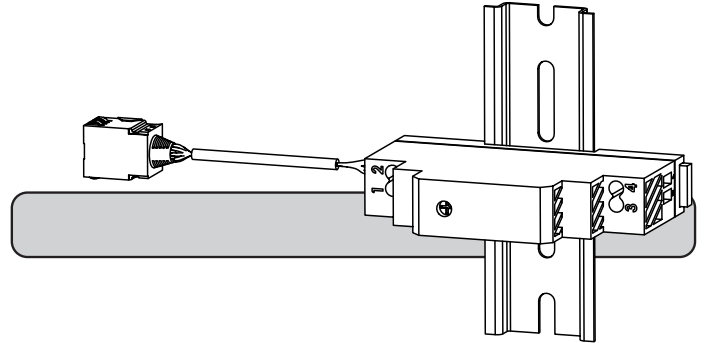
When using electrical equipment, basic safety precautions should always be followed including the following:

READ AND FOLLOW ALL SAFETY INSTRUCTIONS

1. **DANGER**- Risk of shock- Disconnect power before installation.
DANGER – *Risque de choc – Couper l'alimentation avant l'installation.*
2. Must be installed in accordance with the NEC or your local electrical code. If you are not familiar with these codes and requirements, consult a qualified electrician.
Ce produit doit être installé conformément à NEC ou votre code électrique local. Si vous n'êtes pas familier avec ces codes et ces exigences, veuillez contacter un électricien qualifié.
3. Indoor use only.
Pour usage interieur seulement.
4. For use with Cree Lighting SmartCast Wireless Gateway Model CSC-GW-CWC-W only.
5. For installation in a max. 40°C environment.

SAVE THESE INSTRUCTIONS FOR FUTURE REFERENCE

INSTALLATION INSTRUCTIONS INSTRUCTIONS D'INSTALLATION



INCLUDED IN KIT:

- Power Supply
- Din Rail
- RJ45 Socket Harness

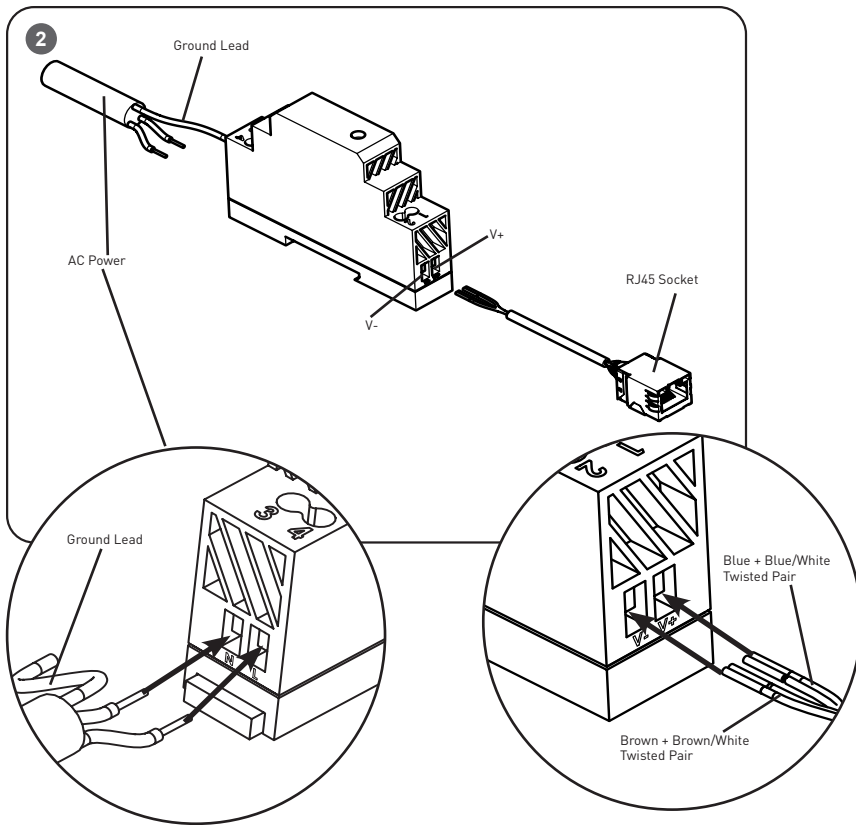
SUPPLIED BY CUSTOMER:

- UL Listed Junction box - dimensions 4-11/16 x 4-11/16 x 3 inches or greater. Metal or other plenum rated material
- Junction cover
- Mounting and ground screws
- CAT5e Plenum rated cable with RJ45 termination. – length as needed
- UL Listed conduit, tubing and fittings that comply with UL514B (as necessary)
- UL Listed Strain reliefs (as necessary)

INSTALLATION

STEP 1:

Use customer supplied screws to mount customer supplied junction box and DIN Rail section to wall, stud, or other mounting surface. See **Figure 1**.



STEP 2:

Connect provided harness to the power supply at the V+ and V- terminals. Connect AC Power to L and N terminals of the power supply. Use Copper Conductors that are suitable for at least 60C/75C. See **Figure 2**.

STEP 3:

Install power supply into junction box by mounting to the DIN Rail. Bring the power supply to the Din Rail and snap it into place. See **Figure 3**.

Figure 3.

STEP 4:

Lock power supply onto rail by pressing down on tab on the top of the power supply until you hear a click. See **Figure 3**.

STEP 5:

Properly ground the J-Box enclosure using a customer provided green hex machine screw. Screw AC Ground lead to box housing using customer provided ground screw. See **Figure 2**.

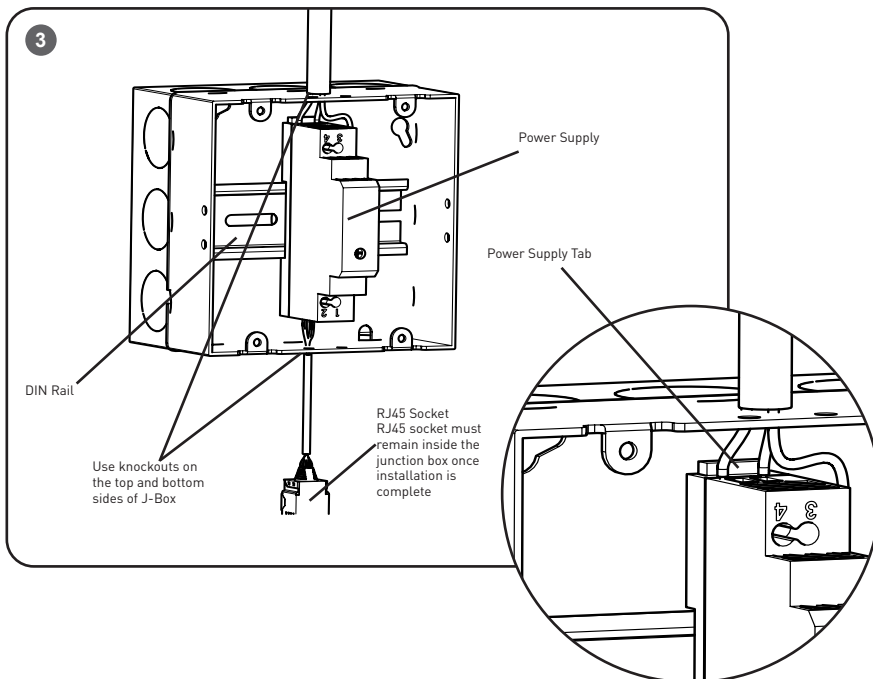
STEP 6:

Connect customer supplied CAT5 cable to RJ45 socket. CAT5 may be routed to any point outside of the junction box. Connect other end of CAT5 cable to the load device. See **Figure 3**.

NOTE: If CAT5 cable is not routed in conduit, then strain relief is required at the junction box access point as required by local and federal codes. Make sure wiring is separated per NEC or local codes.

STEP 7:

Install the cover customer supplied junction box cover lid over the junction box.



FCC NOTICE

This device complies with Part 15 of the FCC Rules. Operation is subject to the following two conditions: (1) this device may not cause harmful interference, and (2) this device must accept any interference received, including interference that may cause undesired operation. Any changes or modifications not expressly approved by the party responsible for compliance could void the user's authority to operate the device.

This device has been tested and found to comply with the limits for a Class A digital device, pursuant to Part 15 of the FCC Rules. These limits are designed to provide reasonable protection against harmful interference when the device is operated in a commercial environment. This device generates, uses, and can radiate radio frequency energy and, if not installed and used in accordance with the instruction manual, may cause harmful interference to radio communications. Operation of this device in a residential area is likely to cause harmful interference in which case the user will be required to correct the interference at his own expense.

In addition, this device complies with ICES-005 of the Industry Canada (IC) Regulations.