

### IMPORTANT SAFEGUARDS

When using electrical equipment, basic safety precautions should always be followed including the following:

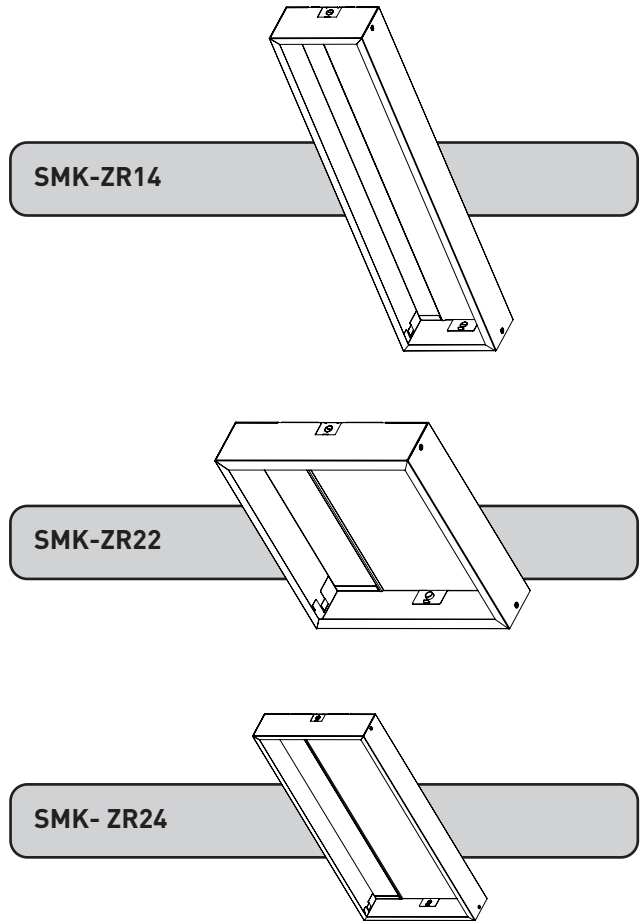
### READ AND FOLLOW ALL SAFETY INSTRUCTIONS

- DANGER**- Risk of shock- Disconnect power before installation.  
**DANGER – Risque de choc – Couper l'alimentation avant l'installation.**
- This luminaire must be installed in accordance with the NEC or your local electrical code. If you are not familiar with these codes and requirements, consult a qualified electrician.  
*Ce produit doit être installé conformément à NEC ou votre code électrique local. Si vous n'êtes pas familier avec ces codes et ces exigences, veuillez contacter un électricien qualifié.*
- Suitable for Damp Locations.  
*Convient aux emplacements humides.*
- Access above ceiling required. Do not install insulation within 3 inches (76 mm) of any part of the luminaire. Suitable for suspended ceilings.  
*Acces requis au-dessus du plafond. Ne pas mettre l'isolant a moins de 76 mm (3 po) de toute partie du luminaire. Convient aux plafonds suspendus.*
- Do not handle energized module with wet hands or when standing on wet or damp surfaces, or in water.

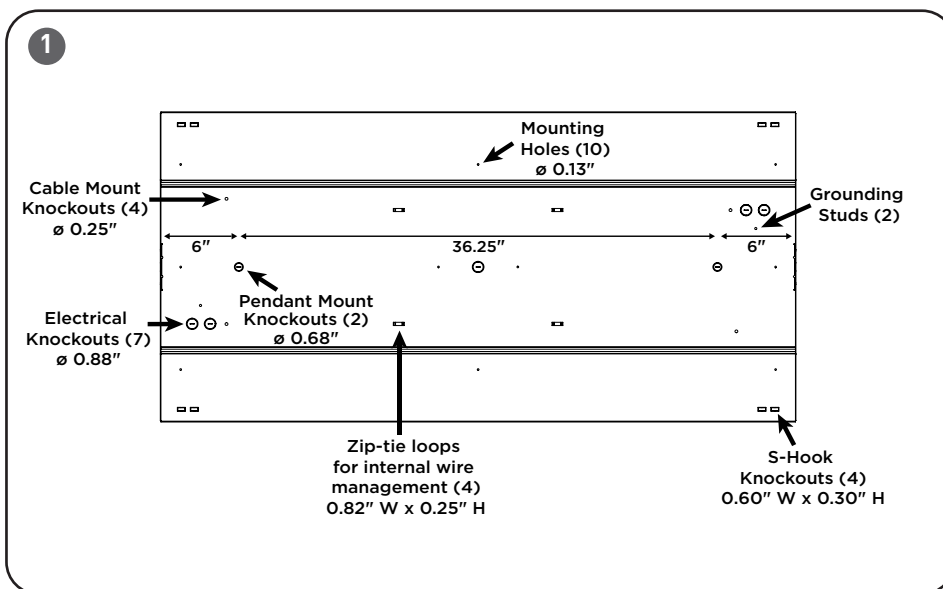
### SAVE THESE INSTRUCTIONS FOR FUTURE REFERENCE

- The Surface Mount Kit is designed for use with ZR Series Troffers for surface or suspended mounting.

### INSTALLATION INSTRUCTIONS



### TO INSTALL:



### INSTALL BASE HOUSING ON TO SURFACE OR SUSPEND FROM CHAIN:

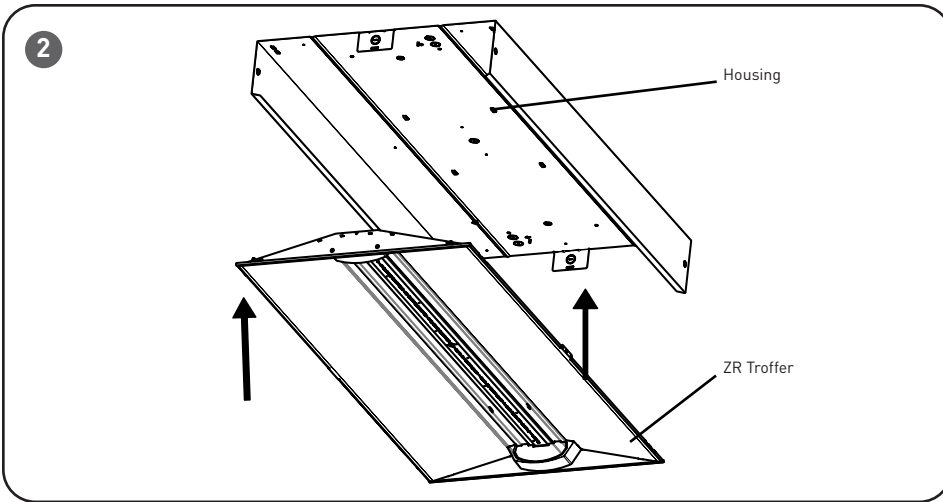
#### STEP 1:

See **Figure 1** for all mounting features and wiring access points.

**NOTE:** Distance between the two Pendant Mount Knockouts for SMK-ZR24 and SMK-ZR14 is 36.25", and 6" from each edge. The distance between the two Pendant Mount Knockouts for SMK-ZR22 is 15", and 5" from each edge.

#### STEP 2:

Attach ground wire lead to grounding stud of your choice using included ground nut.



## INSTALL ZR SERIES TROFFER INTO BASE HOUSING:

### STEP 1:

Place one edge of ZR Series Troffer on the inside edge of housing. See **Figure 2**.

### STEP 2:

Pull housing side wall outward. Rotate troffer into housing. See **Figure 3**.

- Route all AC wires through knockouts and attach to ZR Series Troffer leads as indicated in the installation instructions included with the ZR Series Troffers.
- Dress wires using zip-ties (**not provided**) through loops where indicated above.

### STEP 3:

Install ground wire on the SMK housing to the luminaire ground wire using the supplied (8-32) star nut. See **Figure 4**.

### STEP 4:

Install an End Cap on each end to complete the enclosure and secure with (2) sheet metal screws each. See **Figure 5**.

