

# Cree® KR Series

LED Specification Grade Downlight



## SMART LIGHT THAT'S BEAUTIFUL AT EVEN GREATER HEIGHTS

### Exceptional Light Quality

The KR Series surpasses traditional lighting technology with optimal colouring rendering at 90+ CRI, superior light distribution, and unparalleled lifetime colour consistency. The KR8™ downlight, featuring Cree WaveMax® Technology, brings the beautiful light quality of the KR Series to even greater heights —up to 40 feet.

### Total Flexibility

True design freedom with beautiful aesthetics and a variety of choices, including 4, 6, and 8-inch apertures, round and square trims and multiple lumen packages. A number of control options including Cree SmartCast® Technology or Sunset Dimming Technology with 4 and 6 inch fixtures, 0-10V dimming with all models, and beam control to 15 degrees with the 8-inch option, enable energy efficient, code-compliant spaces.

### Unbeatable Efficiency

Engineered for efficiency with up to 77 LPW, the KR Series offers more than double the efficacy of CFLs and up to five times the longevity.

### Intelligence By Design

The KR Series downlight with SmartCast® Technology, Cree's intelligent light solution, provides a combination of extreme energy productivity and a more personalized light experience that's so intuitive and simple, it just works.

**CREE** 

## SPECIFICATION DESIGN, UNBEATABLE VERSATILITY.

The KR Series 4-inch and 6-inch LED specification downlights deliver up to 5300 lumens of beautiful, high-quality light with superior efficacy. With multiple lumen packages, trim options, colour temperatures, out-of-the-box dimming options including 0/10V, Triac, Cree SmartCast® Technology, the KR Series is an ideal solution for any new construction downlight application.

The KR8™ downlight with Cree TrueWhite® Technology offers 6000 and 8000 lumen packages to accommodate high-ceiling applications and its dual-optic lens with Cree WaveMax® Technology provides very efficient light control.

PERFORMANCE SUMMARY
Utilizes Cree SmartCast® Technology (KR4™ and KR6™ downlights only)
Utilizes Cree WaveMax® Technology (KR8™ downlight only)
Utilizes Cree TrueWhite® Technology
<b>Delivered Light Output*</b> KR4™ and KR6™: 655 to 5300 Lumens KR8™: 6000, 8000 Lumens
<b>Input Power: KR4™ and KR6™:</b> 9L: 13W, 13L: 18W, 20L: 30W, 30L: 39W, 40L: 44W; 60L: 87W <b>KR8™:</b> 60L: 78W, 80L: 118W
<b>CRI:</b> 90+
<b>CCT: KR4™ and KR6™:</b> 2700K, 3000K, 3500K, 4000K or 5000K <b>KR8™:</b> 3000K, 3500K or 4000K
<b>Input Voltage: KR4™ and KR6™:</b> 120V, 277V, 347V <b>KR8™:</b> 120V-277V
<b>Emergency Performance:**</b> Up to 1210 lumens; 10W (KR4™ and KR6™ only)
<b>Controls***</b> KR4™ and KR6™: 5% Triac Dimming or Cree SmartCast® Technology, 10% 0/1-10V Dimming KR8™: 1% 0/1-10V Dimming
<b>Lifetime:</b> Designed to Last 100,000 Hours @ L70
<b>Limited Warranty†:</b> 10 Years (Fixture); 5 Years (with SmartCast® Technology module); 1 Year (Emergency Battery)

## CREE LED LIGHTING TECHNOLOGY

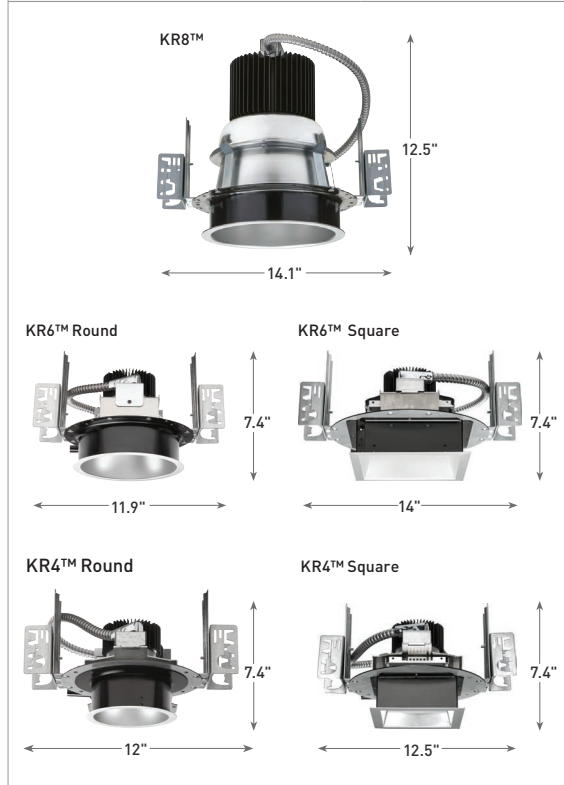


**Cree SmartCast® Technology** is the most intuitive and easiest to install intelligent light solution on the market. SmartCast Technology delivers up to 70% energy savings at up to half the cost of other solutions.

**Cree WaveMax® Technology** delivers superior value and performance resulting in an unmatched user experience by distributing visually comfortable high quality light with unmatched uniformity, efficiency, control and appeal.

**Cree TrueWhite® Technology** delivers an exclusive combination of industry-leading efficacy (up to 150 lumens per watt) and 90+ CRI to lighting applications. Featuring high R9 values, spaces are brighter and colours are more vivid under beautiful white light - all while offering significant energy savings compared to traditional technologies.

## DIMENSIONS



## APPLICATIONS

**Standard and High Ceiling Applications:** Airports, municipal, school & university, corporate campus, restaurant & hospitality, retail & grocery, government, petroleum



\* Delivered lumen output is typical when using a SSGC type reflector. See Application Performance Table under Photometry for more detail.

\*\* Provides code-compliant emergency backup for at least 90 minutes.

\*\*\* 5% Triac standard on 9L and 13L; 10% 0/1-10V Dimming available on all models; Sunset Dimming 9L and 13L 5% Triac only; 277V 0/10V standard on all models.

† See [cree.com/canada/warranty](http://cree.com/canada/warranty) for warranty terms. Product specifications subject to change at any time. Visit [cree.com/canada](http://cree.com/canada) to find the most up-to-date information and for recommended dimming control options.

Visit [cree.com/canada](http://cree.com/canada) or contact a Cree lighting representative to learn more.

[CreeLightingCanada@cree.com](mailto:CreeLightingCanada@cree.com) | 800.473.1234