

## IMPORTANT SAFEGUARDS

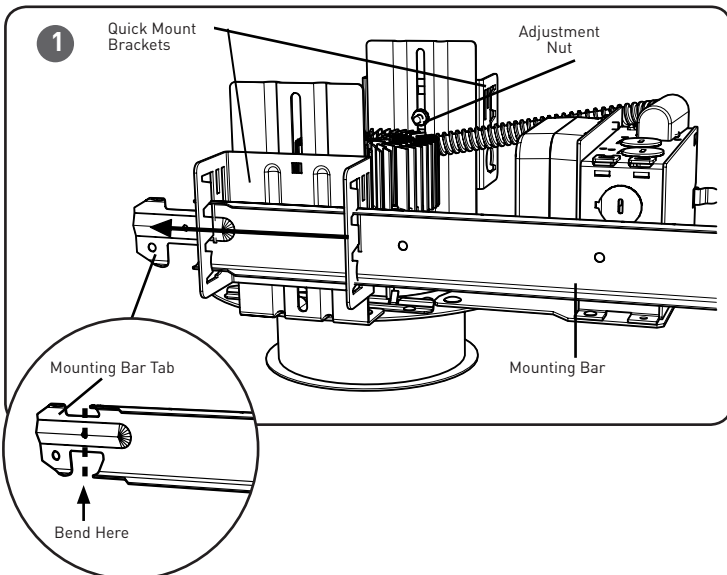
When using electrical equipment, basic safety precautions should always be followed including the following:

## READ AND FOLLOW ALL SAFETY INSTRUCTIONS

1. To reduce the risk of electrical shock, turn off power supply before installation or servicing.
2. This luminaire must be installed in accordance with the NEC or your local electrical code. If you are not familiar with these codes and requirements, consult a qualified electrician.
3. This luminaire must be supported by main runners or other building structure that is capable of supporting fixture weight.
4. Refer to luminaire installation sheet for electrical connection and mark spacing requirements.

## SAVE THESE INSTRUCTIONS FOR FUTURE REFERENCE

## TO INSTALL:



## MOUNTING BAR INSTALLATION

### STEP 1:

Guide Mounting Bar through quick-mount brackets at the sides of the fixture. See **Figure 1**.

**NOTE:** The Mounting Bar tab has two different size notches. Depending on the thickness of the mounting structure guide the Mounting Bar through with the desired notch pointing downward.

### STEP 2:

Attach mounting means to structure capable of supporting the luminaire's weight.

### STEP 3:

Adjust mounting height by loosening adjustment nut, see **Figure 1**, and then position bracket so that the bottom of the plaster ring is flush with the bottom of the opening of the finished ceiling.

### STEP 4:

Tighten adjustment nut.

### STEP 5:

To secure luminaire bend the Mounting Bar tabs (at the base of the tab) over the intended mounting structure. See **Figure 1**.

### STEP 6:

Refer to luminaire installation sheet for electrical connection and mark spacing.