

IMPORTANT SAFEGUARDS

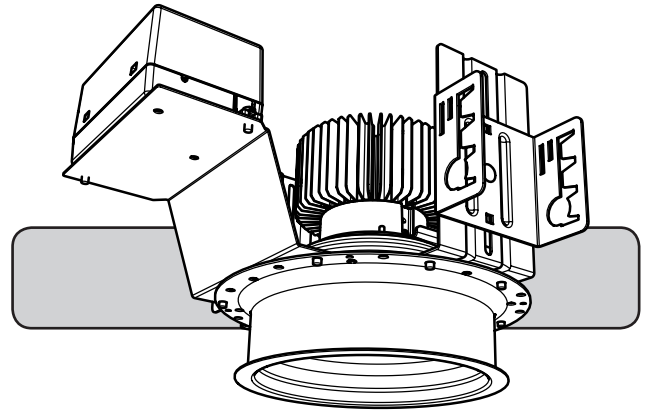
When using electrical equipment, basic safety precautions should always be followed including the following:

READ AND FOLLOW ALL SAFETY INSTRUCTIONS

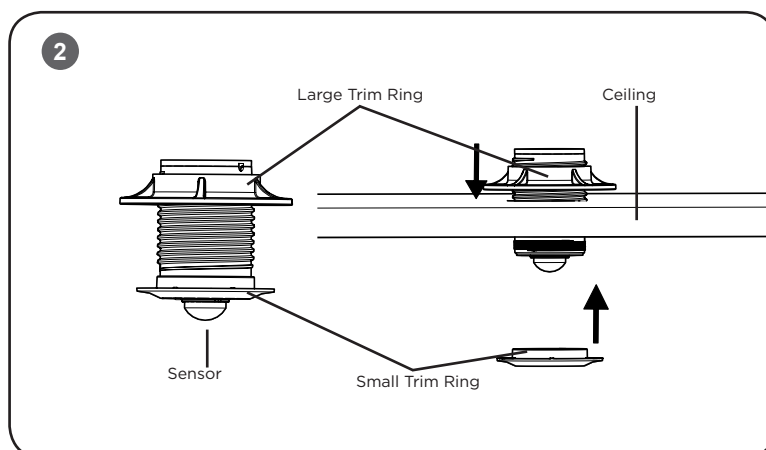
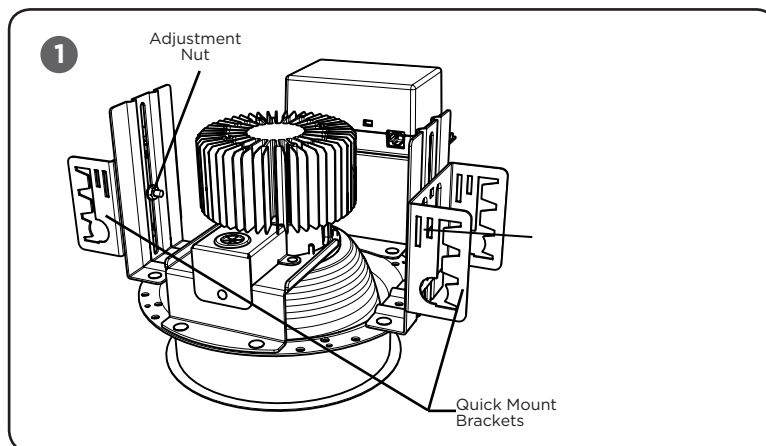
- DANGER**- Risk of shock- Disconnect power before installation. **DANGER – Risque de choc – Couper l'alimentation avant l'installation.**
- This luminaire must be installed in accordance with the NEC or your local electrical code. If you are not familiar with these codes and requirements, consult a qualified electrician. *Ce produit doit être installé conformément à NEC ou votre code électrique local. Si vous n'êtes pas familier avec ces codes et ces exigences, veuillez contacter un électricien qualifié.*
- Do not install insulation within 3 inches (76 mm) of luminaire sides or junction box nor above luminaire in such a manner as to entrap heat. *Ne pas mettre l'isolant a moins de 76 mm (3 po) de toute partie du luminaire. Convient aux plafonds suspendus.*

SAVE THESE INSTRUCTIONS FOR FUTURE REFERENCE

INSTALLATION INSTRUCTIONS



TO INSTALL:



LUMINAIRE INSTALLATION

STEP 1:

Mark the intended location of the luminaire and cut a 6.5in. (16.5cm) diameter opening in the ceiling.

STEP 2:

Attach mounting means to structure capable of supporting the luminaires weight.

STEP 3:

Adjust mounting height by loosening adjustment nut, see **Figure 1**, and then position bracket so that the bottom of the plaster ring is flush with the bottom of the opening of the finished ceiling.

STEP 4:

Tighten adjustment nut.

STEP 5:

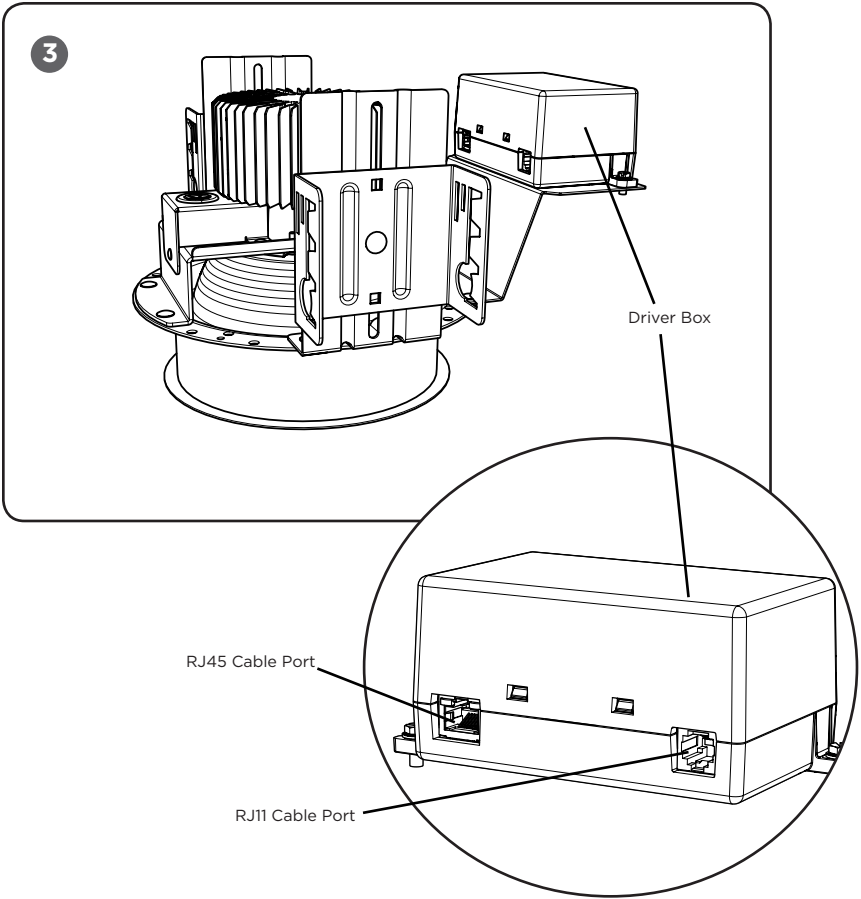
Install sensor into ceiling by drilling a 2" hole into the ceiling.

Step 6:

Unscrew the small trim ring near the sensor and place sensor assembly through the ceiling. See **Figure 2**.

Step 7:

Secure the sensor assembly by screwing the small trim ring removed in Step 6 back onto the sensor assembly. Tighten the larger trim ring above the ceiling until it is tight against the ceiling. See **Figure 2**.



STEP 8:
Plug sensor module RJ11 cable into the RJ11 cable port located on the driver box. See **Figure 3.**

STEP 9:
Plug customer supplied Ethernet RJ45 cable into the RJ45 cable port located on the driver box. See **Figure 3.**