

## IMPORTANT SAFEGUARDS

When using electrical equipment, basic safety precautions should always be followed including the following:

### READ AND FOLLOW ALL SAFETY INSTRUCTIONS

- DANGER**- Risk of shock- Disconnect power before installation.  
**DANGER** – *Risque de choc – Couper l'alimentation avant l'installation.*
- This luminaire must be installed in accordance with the NEC or your local electrical code. If you are not familiar with these codes and requirements, consult a qualified electrician.  
*Ce produit doit être installé conformément à NEC ou votre code électrique local. Si vous n'êtes pas familier avec ces codes et ces exigences, veuillez contacter un électricien qualifié.*
- Do not install insulation within 3 inches (76 mm) of any part of the luminaire.  
*Ne pas mettre l'isolant a moins de 76 mm (3 po) de toute partie du luminaire.*
- Access above ceiling required.  
*Acces requis au-dessus du plafond.*
- Suitable for Damp Locations.  
*Convient aux emplacements humides.*
- Suitable for suspended ceilings.  
*Convient aux plafonds suspendus.*

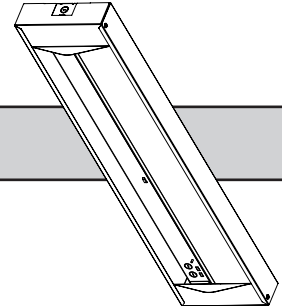
## SAVE THESE INSTRUCTIONS FOR FUTURE REFERENCE

- The SMK-LE is designed for use with CR Series Light Engines for surface or suspended mounting.
- The following are not provided: conduit, cable, fittings, terminal blocks and wire connectors.

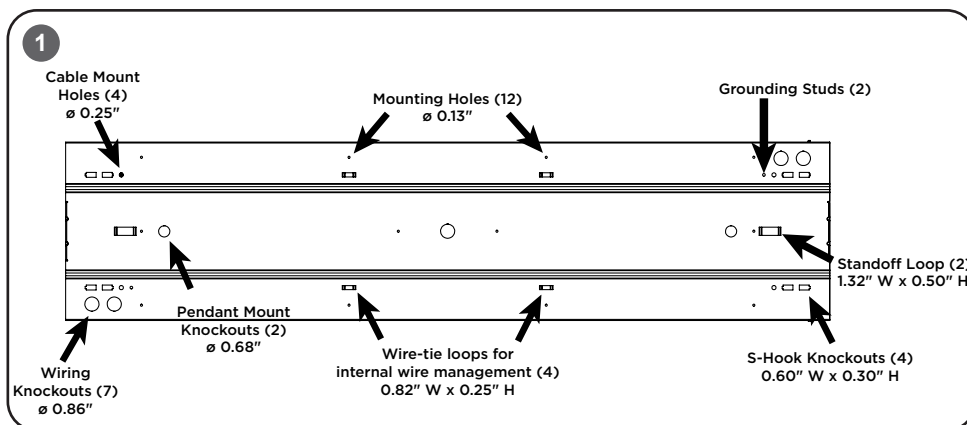
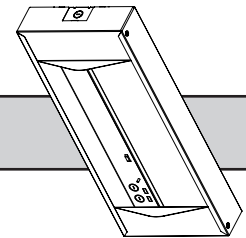
### TO INSTALL:

### INSTALLATION INSTRUCTIONS INSTRUCTIONS D'INSTALLATION

SMK-LE-L



SMK-LE-S



### INSTALL BASE HOUSING ON TO SURFACE OR SUSPEND FROM CHAIN:

#### STEP 1:

For all mounting features and wiring access points see **Figure 1**.

**NOTE:** Distance between the two Pendant Mount Knockouts for SMK-LE-L is 34.5" and SMK-LE-S is 13.25". The distance from each edge of SMK-LE-L and SMK-LE-S and the two Pendant Mount Knockouts is 6".

#### STEP 2:

Attach ground wire lead to grounding stud of your choice using included ground nut.

### INSTALL CR SERIES TROFFER INTO BASE HOUSING:

#### STEP 1:

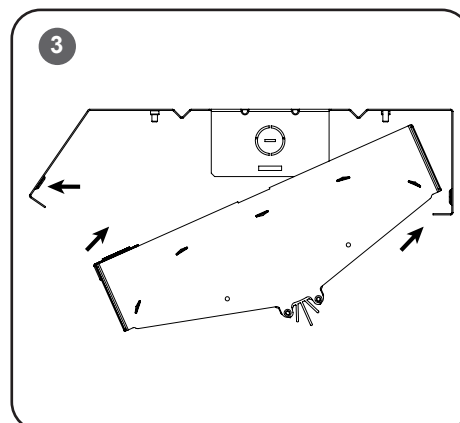
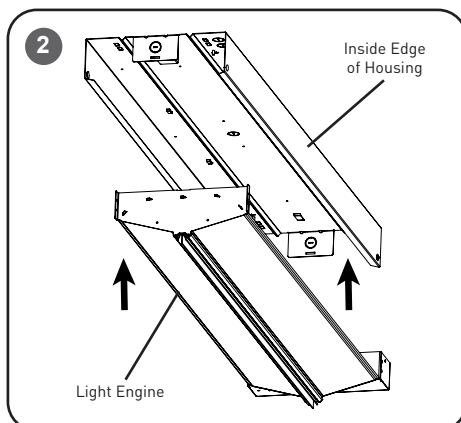
Place one edge of Light Engine on inside edge of housing. See **Figure 2**.

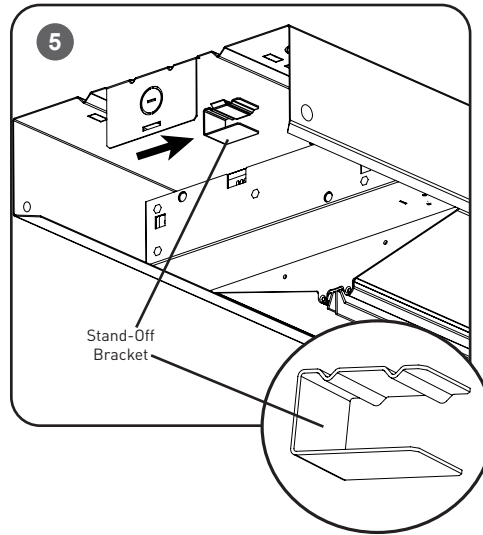
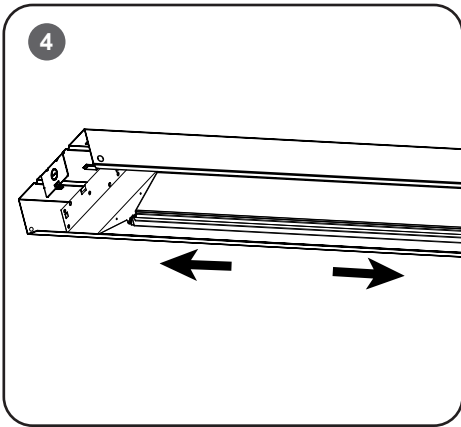
#### STEP 2:

Pull housing side wall outward. Rotate Light Engine into housing. See **Figure 3**.

#### STEP 3:

Route all AC wires through knockouts and attach to CR Series Light Engine leads as indicated in the installation instructions included with the CR Series Light Engine. Dress wires using zip-ties (not provided) through loops where indicated above.





## INSTALL STAND-OFF BRACKETS AND GROUND WIRE:

### STEP 1:

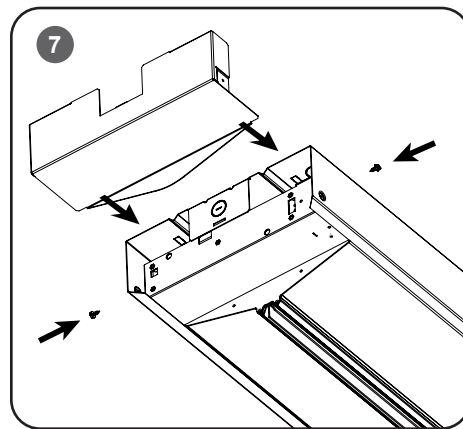
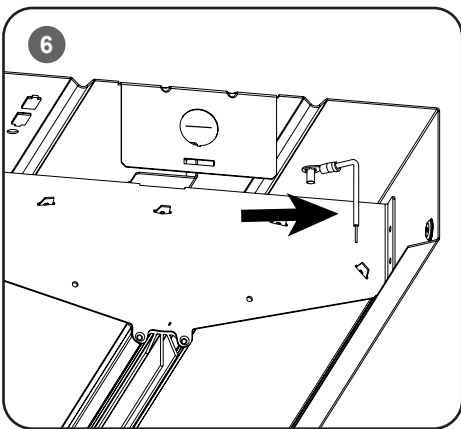
Slide the CR Series Light Engine to either end of the housing to expose the stand-off loop. See **Figure 4**.

### STEP 2:

Install stand-off brackets by sliding the tab with the detent bumps into the receiving loop. See **Figure 5**.

### STEP 3:

Install ground wire with the (8-32) star nut (provided). See **Figure 6**.



## INSTALL END CAPS OR JOINING PLATE:

### STEP 1:

For Joining Plate instructions proceed to Step 2 below. Install an End Cap on each end to complete the enclosure and secure with (2) sheet metal screws each. See **Figure 7**.

### STEP 2:

Install the Joining Plate to enclose adjoining units in a series by installing plastic grommet (included) through both knockouts between units. See **Figure 8**.

### STEP 3:

Secure the Joining Plate using (4) sheet metal screws. See **Figure 9**.

