

IMPORTANT SAFEGUARDS

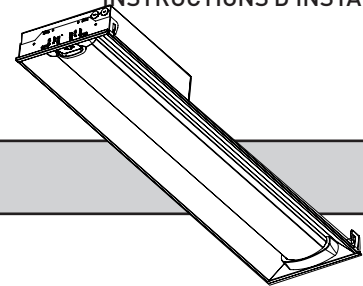
When using electrical equipment, basic safety precautions should always be followed including the following:

READ AND FOLLOW ALL SAFETY INSTRUCTIONS

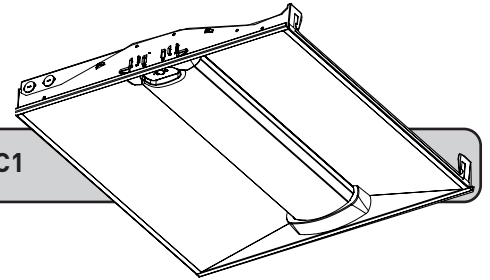
1. **DANGER**- Risk of shock- Disconnect power before installation.
DANGER - RISQUE DE CHOC - COUPER L'ALIMENTATION AVANT L'INSTALLATION
2. **CAUTION** – Installation and servicing should be performed by qualified personnel only. De-energize before opening.
ATTENTION – *L'installation et l'entretien doivent être effectués par du personnel qualifié seulement. Mettre hors tension avant l'ouverture*
3. To reduce the risk of electric shock, disconnect both standard and emergency power supplies and converter connector of the emergency driver before servicing.
Pour réduire le risque de décharge électrique, vous devez déconnecter à la fois le disjoncteur divisionnaire ou les fusibles et les alimentations d'urgence avant l'entretien.
4. Do not use outdoors.
Ne pas utiliser à l'extérieur.
5. Do not let power supply cords touch hot surfaces.
Ne laissez pas les cordons d'alimentation toucher les surfaces chaudes.
6. Do not mount near gas or electric heaters.
Ne montez PAS près des appareils de chauffage de gaz ou électriques.
7. DO NOT use this equipment for other than its intended use.
NE PAS utiliser cet équipement à d'autres fins que celle qui est prévue.
8. Equipment should be mounted in locations and heights where it will not readily be subjected to tampering by unauthorized personnel.
L'équipement doit être monté dans des endroits et à des hauteurs où il ne sera pas soumis à des altérations par des personnes non autorisées.
9. The use of accessory equipment not recommended by the manufacturer may cause an unsafe condition.
L'utilisation d'accessoires non recommandés par le fabricant peut causer une situation dangereuse.
10. Suitable for suspended ceilings.
11. Max. mounting height: 15 ft.
Hauteur de montage max.: 15 pieds.
12. Access above ceiling required. Do not install insulation within 3" (76mm) of any part of the luminaire.
Accès requis au-dessus du plafond. Ne pas mettre l'isolant à moins de 3 po (76 mm) de toute partie du luminaire
13. Suitable for suspended ceilings.
Convient aux plafonds suspendus.

INSTALLATION INSTRUCTIONS INSTRUCTIONS D'INSTALLATION

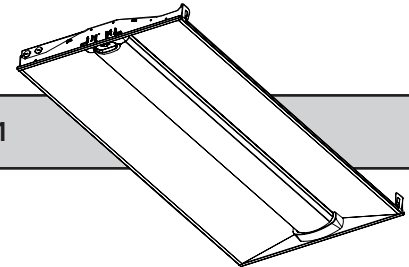
ZR14MT-SC1



ZR22MT-SC1



ZR24MT-SC1

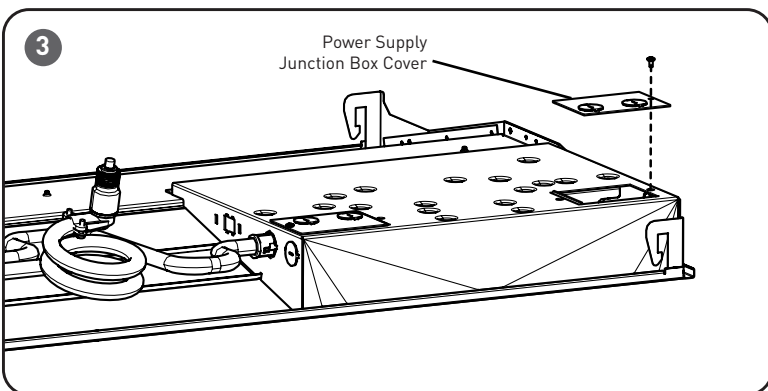
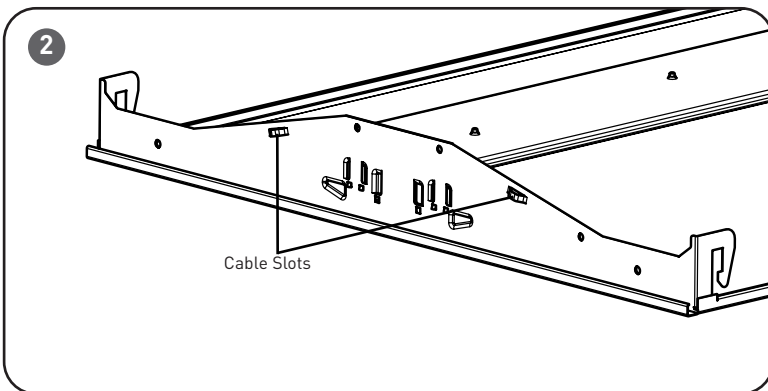
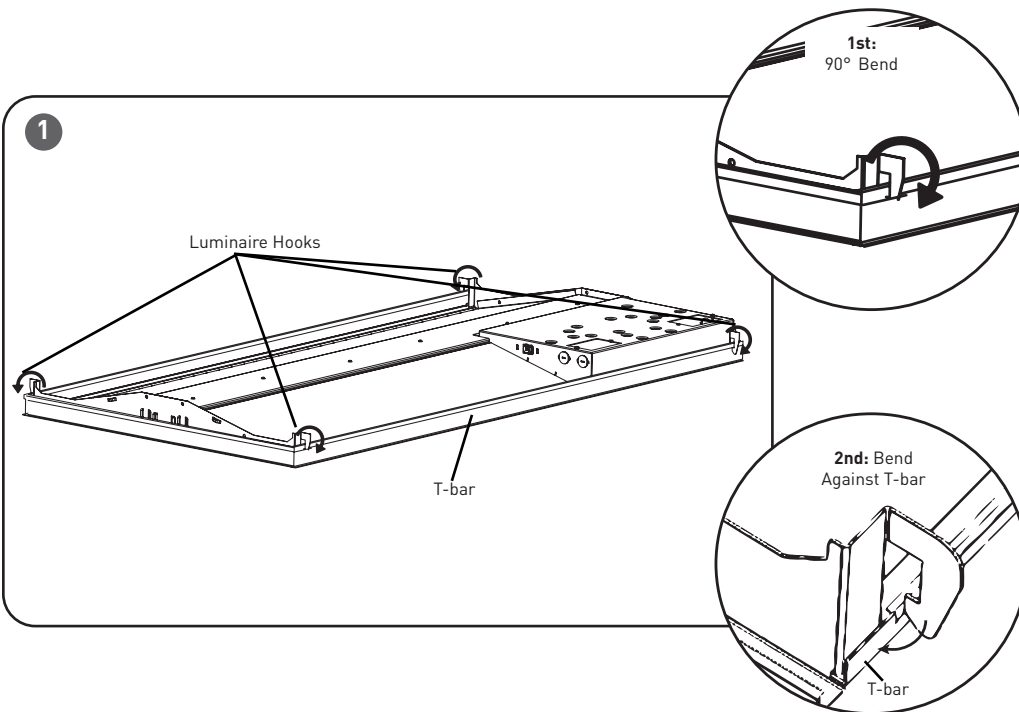


SAVE THESE INSTRUCTIONS FOR FUTURE REFERENCE

- The ZR-MT Series of specification troffers is for non-insulated ceiling applications using T-Bar ceiling grid, drywall grid adaptors, and suspended mount.
- Designed for use in 120-277V 50-60 Hz protected circuit (fuse box, circuit breaker). Supply wire sized as per NEC or governing code(s), 90C rated.
- Make sure to cap off all unused leads.



TO INSTALL:



T- BAR CEILING MOUNTING

STEP 1:

Bring the ZR-MT troffer up into the T-Bar grid.

STEP 2:

Locate the luminaire hooks and bend them out 90 degrees for installation. See **Figure 1**.

NOTE: The luminaire hooks ship bent in and need to be bent out for installation.

STEP 3:

Then bend the luminaire hooks against the T-Bar to secure the luminaire. See **Figure 1**.

SUSPENDED MOUNTING

STEP 1:

Disconnect power to circuit by turning circuit breaker OFF before installation.

STEP 2:

Attach customer supplied cables to the (2) cable slots on each side of the housing. See **Figure 2 and 3**.

STEP 3:

Attach customer supplied cables to mounting surface using customer supplied hardware. Ensuring that mounting surface can support the luminaire.

STEP 4:

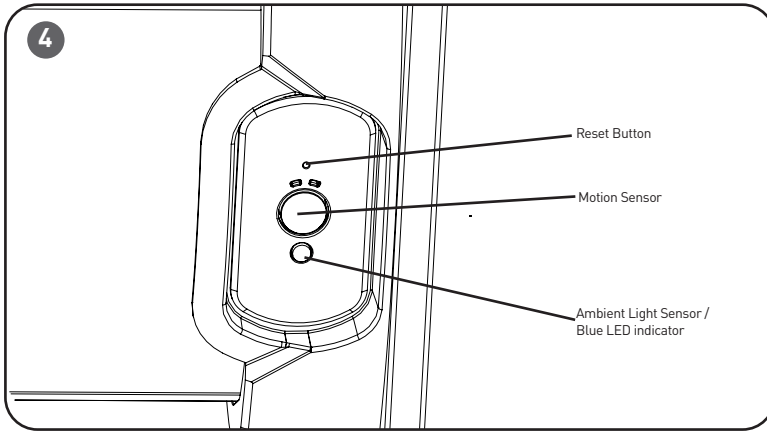
Make wiring connections per the **Electrical Connection** section.

STEP 5:

Switch the circuit BREAKER on.

STEP 6:

Make sure the WIM blue LED has a double blink pattern. If not, please proceed to Troubleshooting section. Otherwise, you can proceed to commission the zone controller. Please refer to the Smartcast® document ion for details. See **Figure 4 on the next page**.



RESET

STEP 1:

Actuate RESET button through the access hole. Press and hold Test/Reset button until the LED flashes fast (approximately 5 seconds). See **Figure 4**.

STEP 2:

Release the Test/Reset button for 1 second (Fast flashing continues). Press and hold Test/Reset for 1 second until fast flashing stops. If the blue LED does not respond with the two-blink sequence, please repeat the RESET procedure..

INSTALLING TEST SWITCH

STEP 1:

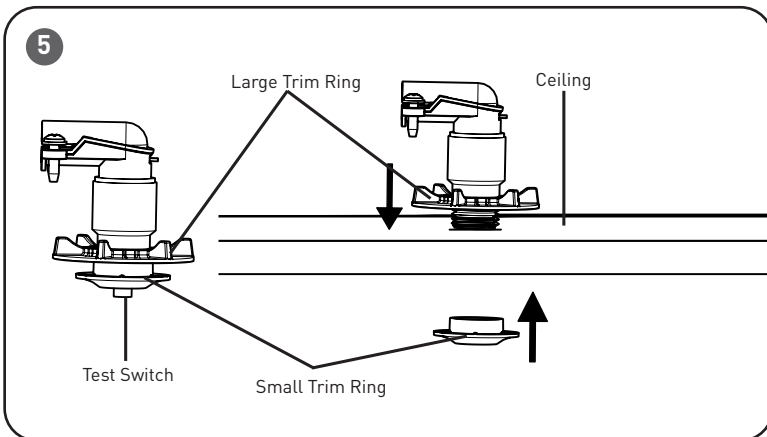
Install test switch assembly into ceiling by drilling a 1" hole into the ceiling.

STEP 2:

Unscrew the small trim ring and place test switch assembly through the ceiling. See **Figure 5**.

STEP 3:

Secure the test switch assembly by screwing the small trim ring removed in Step 5 back onto the test switch assembly. Tighten the larger trim ring above the ceiling until it is snugged tight against the ceiling. See **Figure 5**.



CLEANING LENS

STEP 1:

Remove lens and endcap by pulling down gently on one end near endcap. See **Figure 6**.

STEP 2:

Before installing lens, ensure that one endcap is already installed.

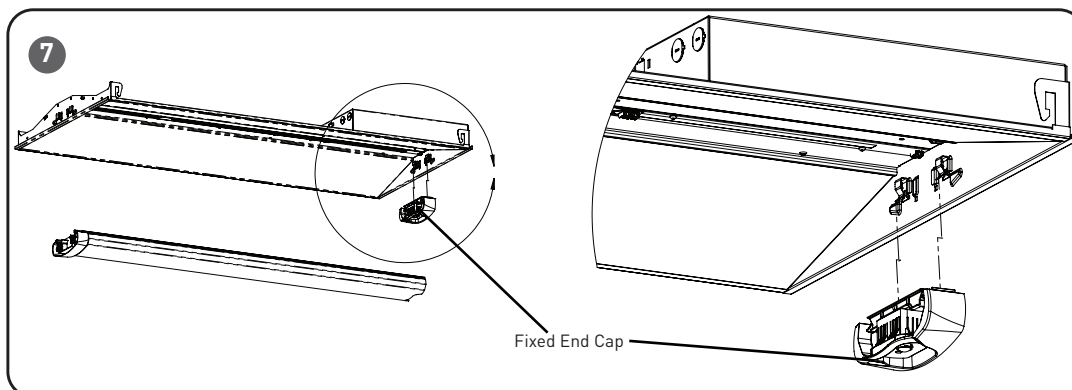
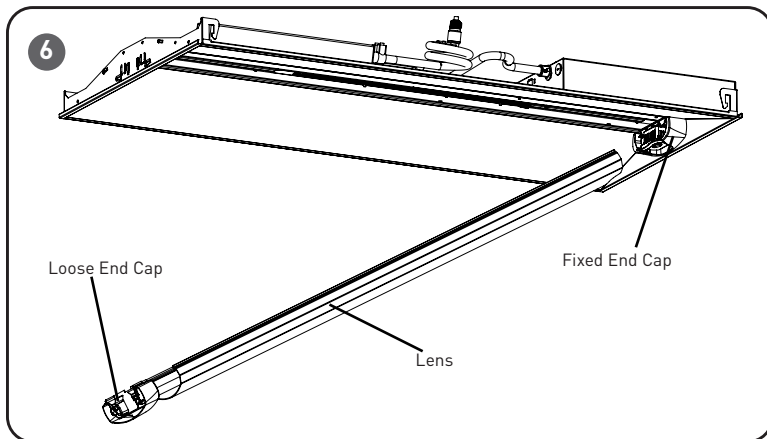
STEP 3:

After cleaning is complete, place loose endcap back onto lens and angle lens into fixed endcap. After getting lens seated into fixed endcap, rotate upwards to engage loose endcap into position. See **Figure 6**. Lens may need to be squeezed together to help guide into pan.

STEP 4:

Confirm there are no visible gaps along entire length of lens and around endcaps. If necessary, push endcaps against end panel or lens against luminaire to eliminate gaps

NOTE: If fixed endcap comes loose during removal, push upwards while using end panel as a stop to engage clips See **Figure 7**.



TROUBLESHOOTING:

Out of the box, if the light does not turn on when power is applied:

- Check Wiring with power off
- If wired correctly, check to see if Blue LED has a double blink pattern. If not, please proceed to RESET procedure.
- If Blue LED is blinking, then perform a RESET (See RESET section).
- If Blue LED is on solid or off, call Cree Lighting Customer Service.
- If you have done a RESET, and the light is still off, call Cree Customer Service..

If light is unresponsive, use Cree Lighting Configuration Tool to verify configuration.

EMERGENCY DRIVER CHECK

NOTE: For short-term testing of the emergency function, the battery must be charged for at least one hour. The emergency driver must be charged for at least 24 hours before conducting a long-term test.

STEP 1:

When AC power is applied, the charging indicator light is illuminated, indicating the battery is being charged. When power fails, the emergency driver automatically switches to emergency power, operating the LED array. When AC power is restored, the emergency driver returns to the charging mode.

STEP 2:

Although no routine maintenance is required to keep the emergency driver functional, it should be checked periodically to ensure that it is working. The following schedule is recommended:

- Visually inspect the charging indicator light monthly. It should be illuminated.
- Test the emergency operation of the fixture at 30-day intervals for a minimum of 30 seconds. When the test switch is depressed, the LED array should operate.
- Conduct a 90-minute discharge test once a year. The LED array should operate for at least 90 minutes.

If the luminaire fails any of these checks, consult service personnel.

REFER ANY SERVICING INDICATED BY THESE CHECKS TO QUALIFIED PERSONNEL
EMERGENCY DRIVER AND AC DRIVER MUST BE FED FROM THE SAME BRANCH CIRCUIT.

FCC NOTICE

CAUTION: Changes or modifications not expressly approved could void your authority to use this equipment.

This device complies with Part 15 of the FCC Rules. Operation to the following two conditions: (1) This device may not cause harmful interference, and (2) this device must accept any interference received, including interference that may cause undesired operation. The LED in the front of this device operates within Risk Group 1 levels per IEC 62471.

This device has been tested and found to comply with the limits for a Class A digital device, pursuant to Part 15 of the FCC Rules. These limits are designed to provide reasonable protection against harmful interference when the device is operated in a commercial environment. This device generates, uses, and can radiate radio frequency energy and, if not installed and used in accordance with the instruction manual, may cause harmful interference to radio communications. Operation of this device in a residential area is likely to cause harmful interference in which case the user will be required to correct the interference at his own expense.

INDUSTRY CANADA STATEMENT

This device complies with Industry Canada licence-exempt RSS standard(s). Operation is subject to the following two conditions: (1) this device may not cause interference, and (2) this device must accept any interference, including interference that may cause undesired operation of the device. In addition, this device complies with ICES-003 of the Industry Canada (IC) Regulations.

Le présent appareil est conforme aux CNR d'Industrie Canada applicables aux appareils radio exempts de licence. L'exploitation est autorisée aux deux conditions suivantes : (1) l'appareil ne doit pas produire de brouillage, et (2) l'utilisateur de l'appareil doit accepter tout brouillage radioélectrique subi, même si le brouillage est susceptible d'en compromettre le fonctionnement.

RF EXPOSURE NOTICE:

To comply with the FCC/IC RF exposure compliance requirements, this device and its antenna must not be co-located or operating to conjunction with any other antenna or transmitter.

This equipment shall be installed and operated with minimum distance 5 cm between the radiator & your body. No other antenna is authorized for use with this product.

Pour correspond aux requis d'exposition au FCC/IC RF, cet appareil et son antenne ne doivent être localisées tout près ou opérées en conjonction avec d'autres antennes ou transmetteurs. Cet équipement doit être installé et opéré avec une distance minimum 5 cm entre l'émetteur et votre corps. Aucune autre antenne externe n'est autorisée à être utilisée avec ce produit.

ELECTRICAL CONNECTIONS

NOTE: The emergency driver must be fed from the same branch as the AC Driver.

STEP 1:

Remove the cover of the junction box and bring in appropriate power supply to the junction box using one of the knock-outs. See **Figure 3**.

STEP 2:

Using customer supplied 90°C minimum rated wire connectors, make the following electrical connections:

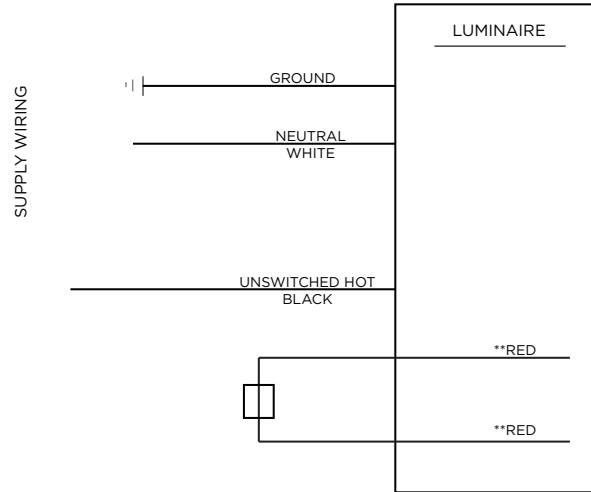
- Connect the black luminaire lead to the unswitched voltage supply lead.
- Connect the white luminaire lead to the neutral supply lead.
- Connect ground wire lead to the supply ground lead.

STEP 3:

Locate the two red leads in the junction box and connect them.

STEP 4:

Push all leads into the junction box. Reattach junction box cover that was removed in Step 1, make sure no wires are pinched.



**** NOTE: DO NOT mate leads until installation is complete and AC power is supplied**

ZRMT TROFFER

- SUITABLE FOR DAMP LOCATIONS.
- ACCESS ABOVE CEILING REQUIRED. .
- TYPE NON-IC. INHERENTLY PROTECTED.
- CAUTION - RISK OF SHOCK. DISCONNECT POWER BEFORE SERVICING.
- SUITABLE FOR OPERATION IN AMBIENT NOT EXCEEDING 35°C.
- This Luminaire complies with part 15 of the FCC Rules. Operation is subject to the following two conditions: 1. It may not cause harmful interference. 2. It must accept any interference received, including interference that may cause undesired operation. CAN ICES-005 (A)/NMB-005
- CAUTION - RISK OF SHOCK - DO NOT INSTALL INSULATION WITHIN 76 mm (3in) OF ANY PART OF THE LUMINAIRE E.
- MIN. 75°C SUPPLY CONDUCTORS.

ZRMT EB

- MAX. MOUNTING HEIGHT: 15 FT. SUITABLE FOR USE IN 35C AMBIENT TEMPERATURE.
- Risk of Electric Shock. SUITABLE FOR DAMP LOCATIONS. IP20 TYPE IC. INHERENTLY PROTECTED. ACCESS ABOVE CEILING REQUIRED.
- EMERGENCY OPERATION: 90 MINUTES. CAUTION - SEE INSTRUCTION MANUAL FOR INSTALLATION, OPERATING, AND MAINTENANCE

INSTRUCTIONS. MIN 75°C SUPPLY CONDUCTORS.

- CAUTION - SERVICE BY QUALIFIED PERSONNEL ONLY. DE-ENERGIZE BEFORE OPENING.
- CAUTION - RISK OF SHOCK - DO NOT INSTALL INSULATION WITHIN 76 mm (3in) OF ANY PART OF THE LUMINAIRE
- This Luminaire complies with part 15 of the FCC Rules. Operation is subject to the following two conditions: 1. It may not cause harmful interference. 2. It must accept any interference received, including interference that may cause undesired operation. CAN ICES-005 (A)/NMB-005.
- This equipment is not self-testing in conformance with the Life Safety Code, ANSI/NFPA 101. CSA C22.2 NO. 141 EMERGENCY LIGHTING EQUIPMENT.
- CAUTION - THIS UNIT HAS MORE THAN ONE POWER SUPPLY CONNECTION POINT. TO REDUCE THE RISK OF ELECTRIC SHOCK, DISCONNECT BOTH THE BRANCH CIRCUIT BREAKER/FUSES AND THE EMERGENCY POWER SUPPLY BEFORE SERVICING.

CCEA APPROVED

Contains FCC ID: 2ACQ6-WIM Contains IC: 11481A-WIM

© 2020 Cree Lighting, A company of IDEAL INDUSTRIES. All rights reserved. For informational purposes only. Content is subject to change. See www.creelighting.com/warranty for warranty and specifications. Cree® and the Cree logo are registered trademarks a of Cree, Inc. SmartCast®, is a registered trademark of Cree Lighting, A company of IDEAL INDUSTRIES.

CREE  **LIGHTING**

A COMPANY OF IDEAL INDUSTRIES, INC.

www.creelighting.com