

### IMPORTANT SAFEGUARDS

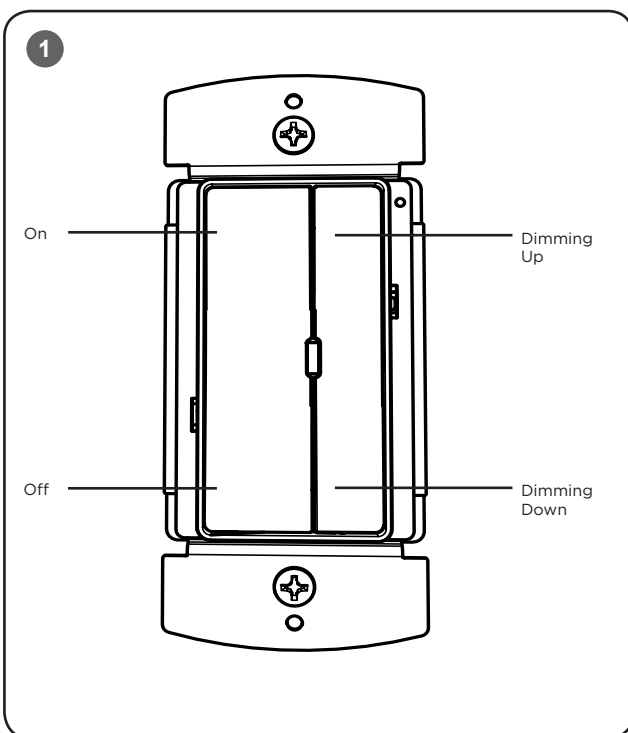
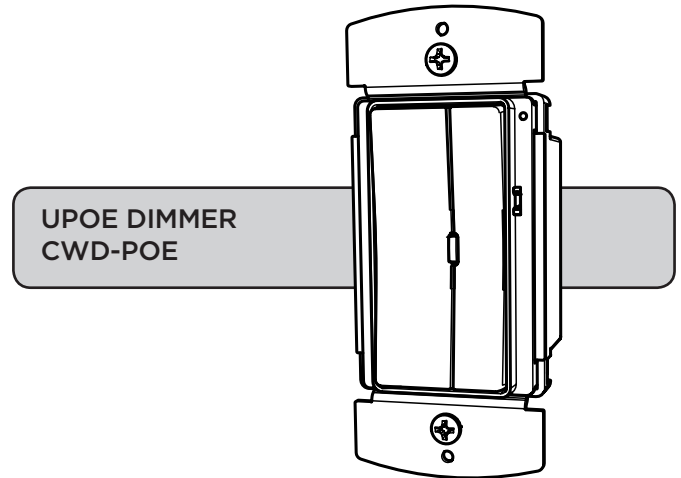
When using electrical equipment, basic safety precautions should always be followed including the following.

#### READ AND FOLLOW ALL SAFETY INSTRUCTIONS

- 1. DANGER**- Risk of shock- Disconnect power before installation.  
***DANGER** – Risque de choc – Couper l'alimentation avant l'installation.*
- These wall controls must be installed in accordance with the NEC or your local electrical code. If you are not familiar with these codes and requirements, consult a qualified electrician.  
*Ce produit doit être installé conformément à NEC ou votre code électrique local. Si vous n'êtes pas familier avec ces codes et ces exigences, veuillez contacter un électricien qualifié.*
- Indoor use only and suitable for damp locations. *Pour usage intérieur seulement.*  
*Et convient aux emplacements humides*
- Any changes or modifications to these devices not explicitly approved by manufacturer could void your authority to operate this equipment.

#### SAVE THESE INSTRUCTIONS FOR FUTURE REFERENCE

### INSTALLATION INSTRUCTIONS INSTRUCTIONS D'INSTALLATION



### UNIT DESCRIPTION

The Cree UPOE Wall Controls are used with other UPOE enabled devices to provide UPOE control of LED luminaires. The Cree UPOE Wall Controls provide on, off, and dimming control options.

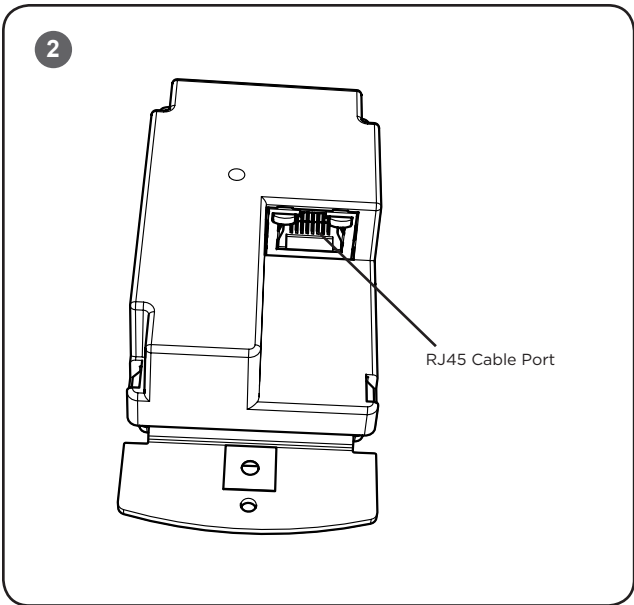
- Voltage: 55V, 1W
- Depth in Wall: 1"

### COMPATIBILITY

Cree Wall Controls support Cree UPOE enabled devices only.

### WALL CONTROLS FEATURES

- The Cree UPOE Dimmer supports on, off, and dimming controls. See **Figure 1**.



## INSTALLATION

---

### STEP 1:

Run Ethernet cable to wall box .

### STEP 2:

Plug in the RJ45 cable into the RJ45 cable port located on the back side of the dimming wall controller. See **Figure 2**.

### STEP 3:

Mount the wall control to mounting surface using (2) provided screws.

### STEP 4:

Attach the wall plate (reference the wall plate instruction sheet).

## CLEANING

---

Clean using a cloth dampened only with water and a little mild detergent. Use of solvents or hydrocarbon-based cleaners may cause permanent damage.