

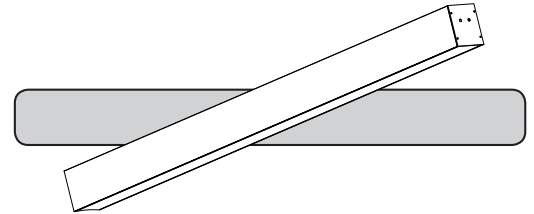
## IMPORTANT SAFEGUARDS

When using electrical equipment, basic safety precautions should always be followed including the following:

### READ AND FOLLOW ALL SAFETY INSTRUCTIONS

- DANGER**- Risk of shock- Disconnect power before installation.  
**DANGER – Risque de choc – Couper l'alimentation avant l'installation.**
- This luminaire must be installed in accordance with the NEC or your local electrical code. If you are not familiar with these codes and requirements, consult a qualified electrician.  
*Ce produit doit être installé conformément à NEC ou votre code électrique local. Si vous n'êtes pas familier avec ces codes et ces exigences, veuillez contacter un électricien qualifié.*
- SUITABLE FOR CONTINUOUS ROW MOUNTING.  
*PEUT ÊTRE MONTÉ EN RANGÉE CONTINUE.*
- Make sure the equipment is properly grounded.
- Always de-energize the circuit and/or equipment before connecting to, disconnecting from or servicing the equipment

## SAVE THESE INSTRUCTIONS FOR FUTURE REFERENCE

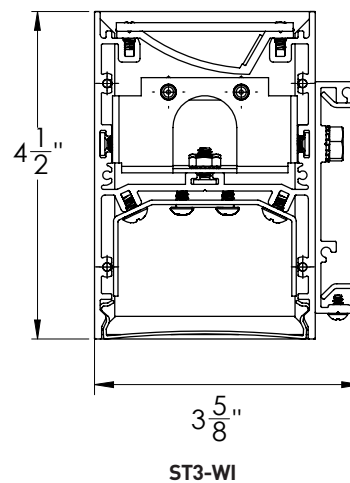
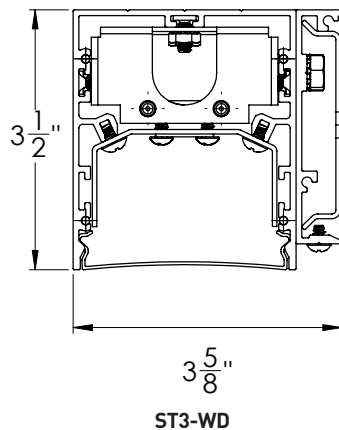


Installation Instructions are divided into 3 sections:

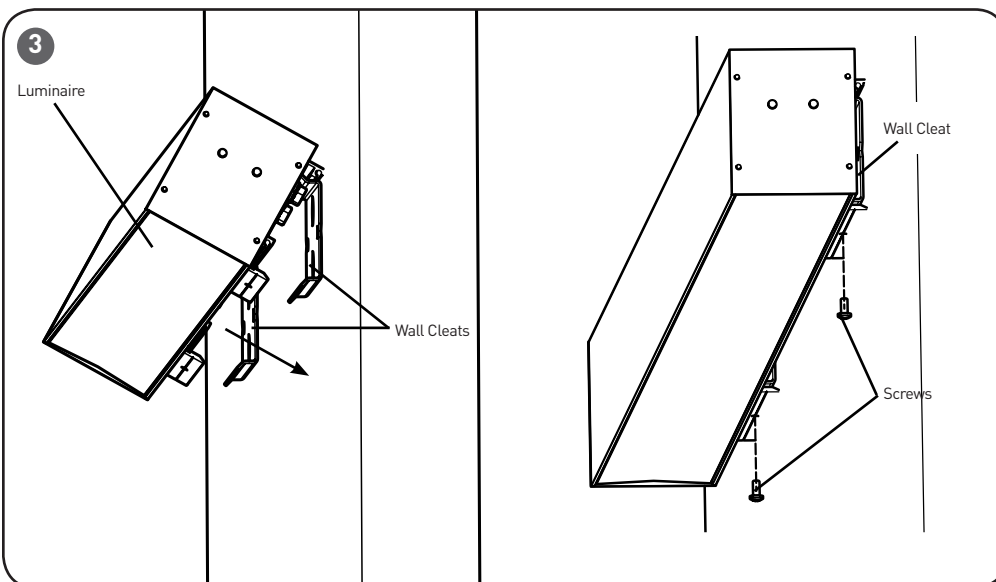
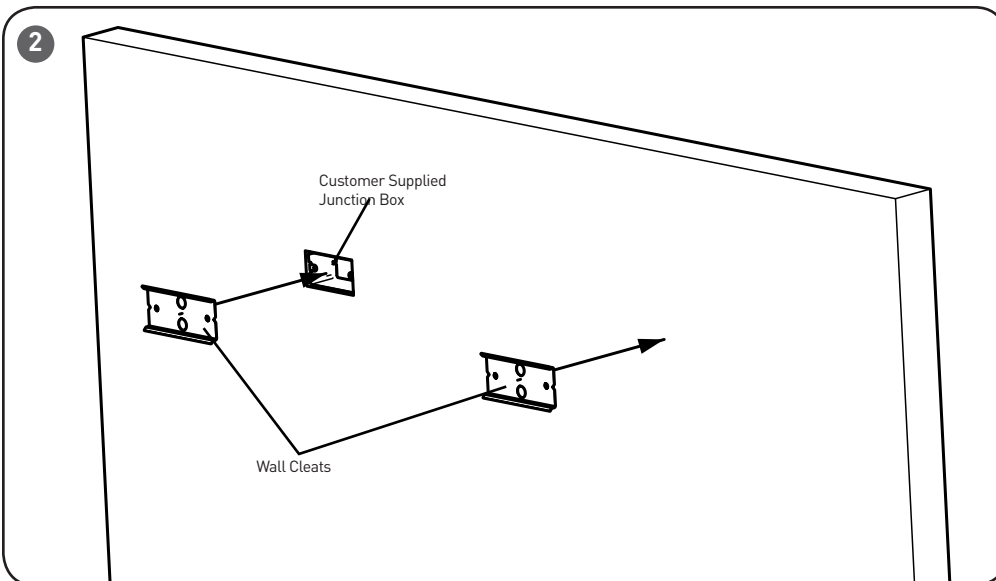
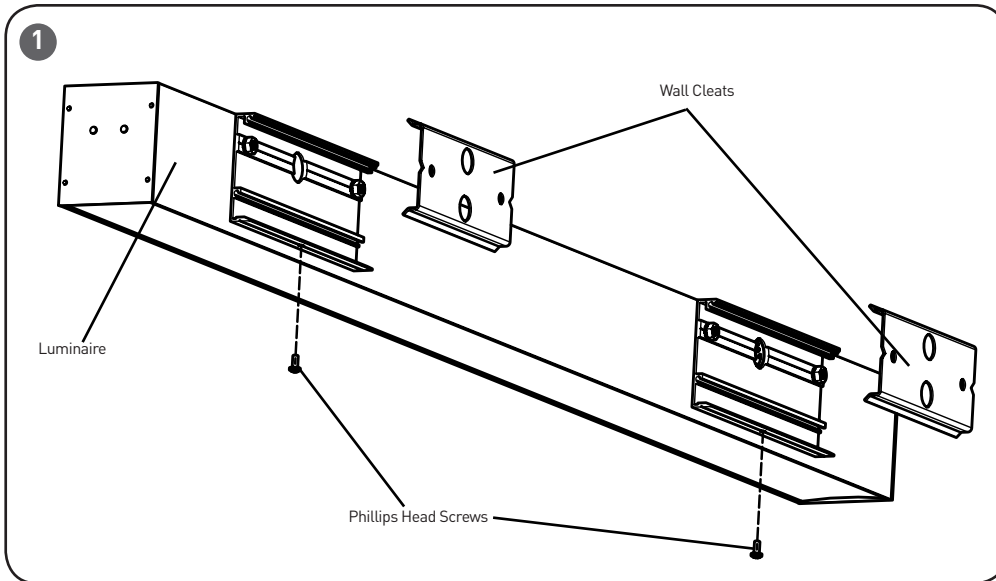
1. Wall Mounting - Individual Luminaire, ST3-WD and ST3-WI
2. Wall Mounting - Continuous Row, ST3-WD and ST3-WI
3. Electrical Connections

#### NOTES:

- **CAUTION** - It is the installers responsibility to ensure that the wall is structurally capable of supporting the weight of luminaire/luminaire row.
- Endcap kits and joining hardware are packaged separately for continuous rows.
- To Prevent Luminaire Row From Over-Current: By adding the input current of each luminaire section marked on the luminaire, the total current per power feed must not exceed the maximum line wire amperage rating in the luminaire and the power feed cord/wire amperage rating whichever is least.



## TO INSTALL:



### SECTION 1: WALL MOUNTING-INDIVIDUAL LUMINAIRE, ST3-WD AND ST3-WI

**CAUTION:** It is the installers responsibility to ensure that the wall and junction box are structurally capable of supporting the weight of the luminaire and luminaire row.

**CAUTION:** Mounting Cleats are to be installed with appropriate anchors supplied by customer. Mounting cleats are shipped with the product and should be installed in accordance with these instructions.

#### STEP 1:

Remove Wall Cleats from luminaire by loosening Phillips head screw(s). See **Figure 1**.

#### STEP 2:

Mount Wall Cleats to wall using customer supplied mounting hardware. Refer to Mounting Cleat dimensions shown in **Figure 4** on the next page.

**NOTE:** Luminaire Feed location must be centered over customer supplied recessed junction box. See **Figure 2**.

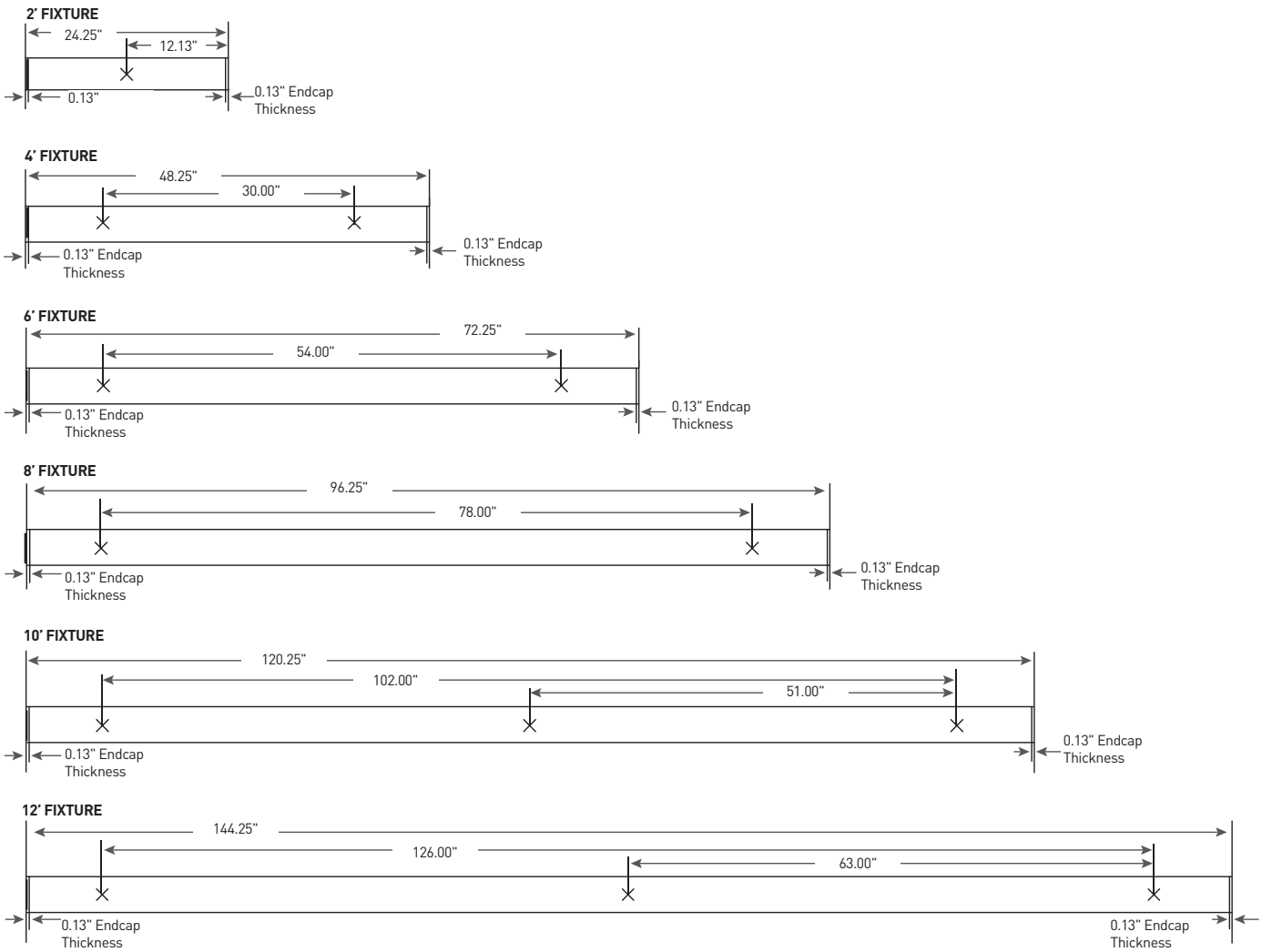
#### STEP 3:

Hang the luminaire on to the Wall Cleats as shown in **Figure 3** and make electrical connections per Section 3 "**Electrical Connections**" into customer supplied junction box. Tuck the wires into customer supplied junction box ensuring not to pinch any wires.

#### STEP 4:

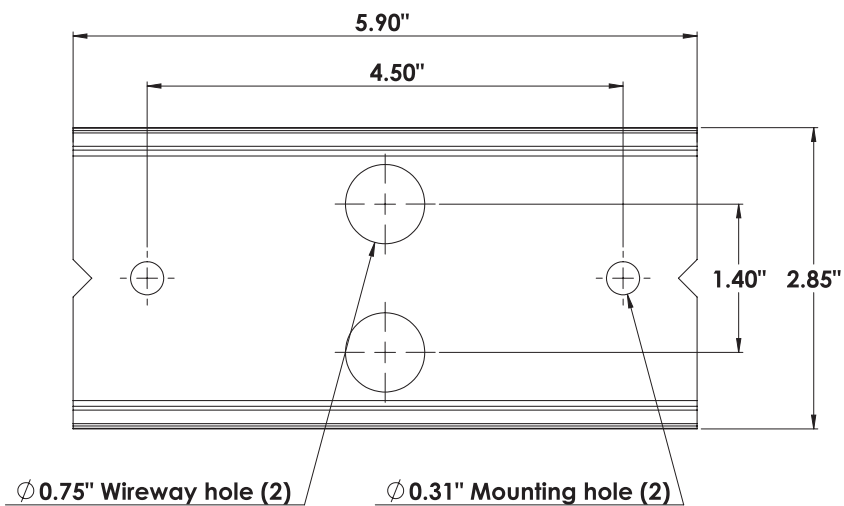
Lower the bottom of the luminaire to the Wall Cleats and secure the luminaire to the Wall Cleats by tightening screw(s). See **Figure 3**.

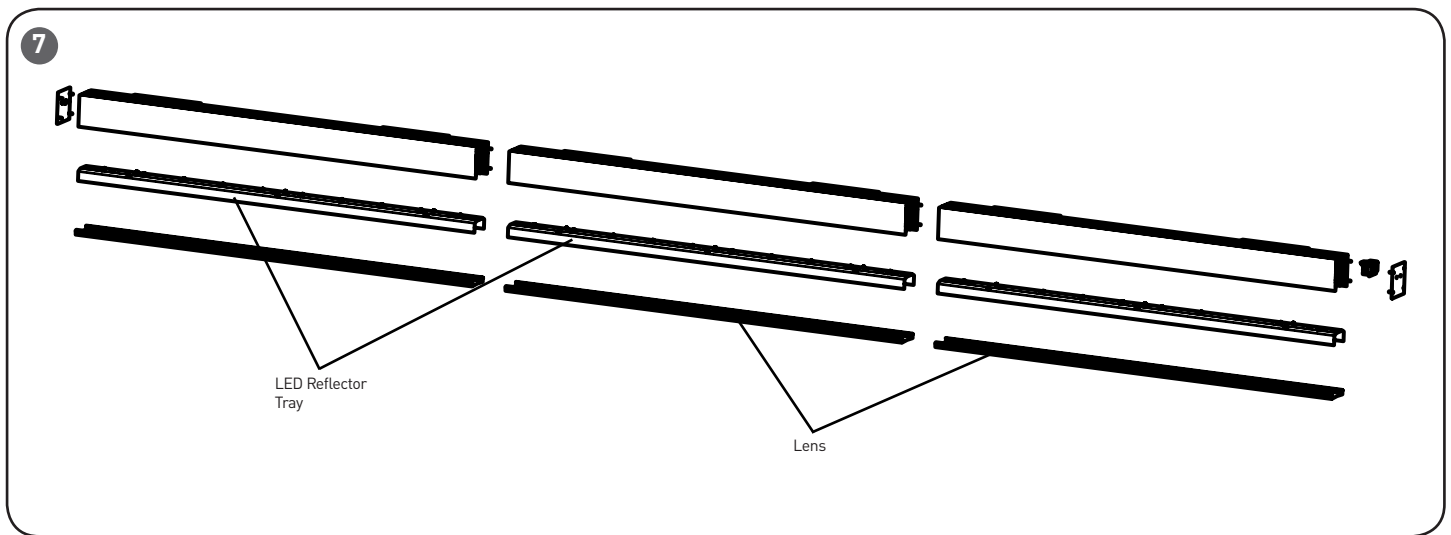
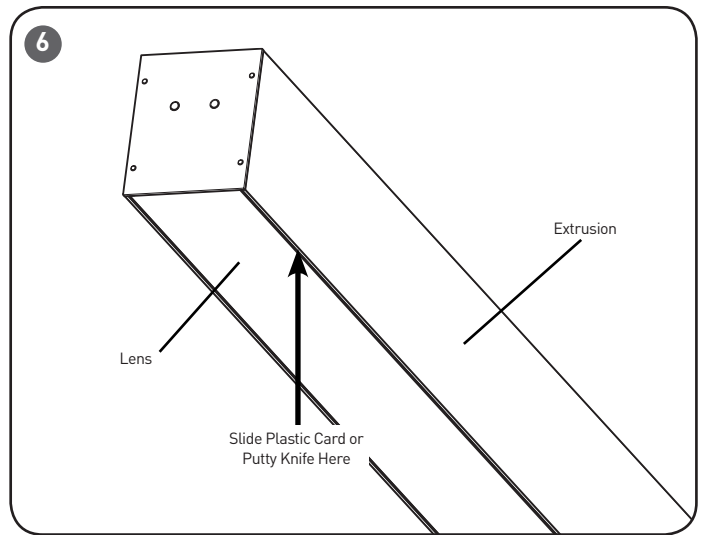
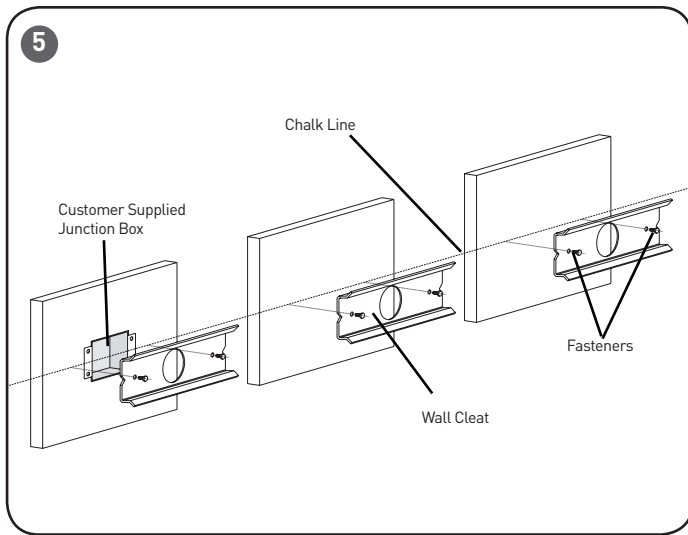
LUMINAIRE ROW LAYOUT: SINGLE UNIT 2' - 12'



\*\*\*NOTE: Looking at the luminaire mounted on the wall the feed location is on the left hand side of the luminaire .

WALL CLEAT DIMENSIONS





## SECTION 2: WALL MOUNTING - CONTINUOUS ROW MOUNTING, ST3-WD AND ST3-WI

**CAUTION:** It is the installers responsibility to ensure that the wall and junction box are structurally capable of supporting the weight of the luminaire and luminaire row.

**CAUTION:** Mounting Cleats are to be installed with appropriate anchors supplied by customer. Mounting cleats are shipped with the product and should be installed in accordance with these instructions.

**CAUTION:** Do not attempt to assemble fixture rows on ground and lift row into position. This creates stress at the connection points and may result in damage and/or mechanical failure

### STEP 1: Mark Locations of Luminaire Wall Cleats on Wall

**NOTE:** Each luminaire has a male and female end. The joining bracket, joining hardware, and male alignment pins are pre-installed. See **Figure 7-9**.

- From center line of horizontally mounted customer supplied junction box, snap a

horizontal chalk line on wall to the right of junction box approximately the full length of luminaire row mounting centers. See **Figure 5**.

- Determine luminaire Wall Cleat locations using the Luminaire Row Layout Chart on **Figure 8**.  
**NOTE:** Each Luminaire is secured with 2 wall cleats. Each wall cleat is located 9" from the end of the luminaire.
- Mark Wall Cleats locations on the chalk line, starting Right-Hand End of the Row with male end of luminaire being first.  
**NOTE:** The male end will be the start of the run and gets the endcap attached.
- The final luminaire and Wall Cleat location on the far left of the run will be the wiring connection into the junction box. See **Figure 9 on page 6**.

**STEP 2:**  
Remove Wall Cleats from luminaire by loosening Phillips head screw(s). See **Figure 1**.

### STEP 3:

Install each Wall Cleat to the mounting surface at the locations marked on the chalk line in Step 1. Ensure that all Wall Cleats are plumb and on the same center line. All wall cleats should be centered over every Mounting Cleat screw on the luminaire housing. See **Figure 5**.

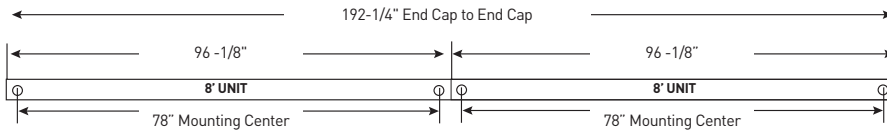
### STEP 4:

Remove lens and LED/reflector tray and set aside in order of run placement for reinstalling later. For ST3-WD luminaires remove lens by carefully sliding a plastic card or putty knife between the lens and extrusion towards the end of the luminaire. Using the plastic card or putty knife, push the lens inward until the lens come free. After removing the lens, remove the Phillips head reflector screws, remove the LED Reflector Tray, and disconnect the LED harness. Set lens and LED Reflector tray aside. See **Figure 6 and 7**.

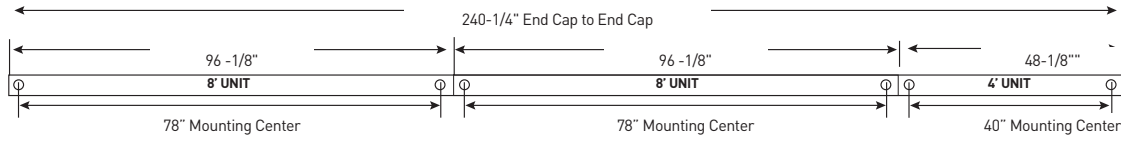
**NOTE:** For ST3-WI luminaires remove the indirect lens and LED/reflector tray located on the on the top of the luminaire. To remove the LED/reflector tray remove the Phillips head screws.

**LUMINAIRE ROW LAYOUT: EXAMPLE OF A TWO AND THREE UNIT**  
**16', 20' - 24' (CAN BE MOUNTED IN OTHER CONFIGURATIONS)**

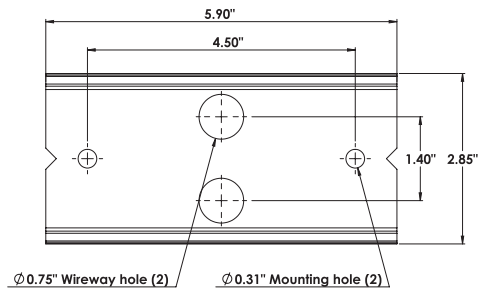
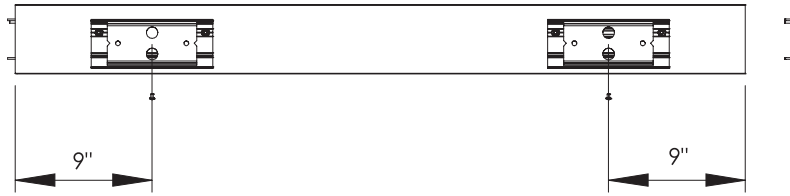
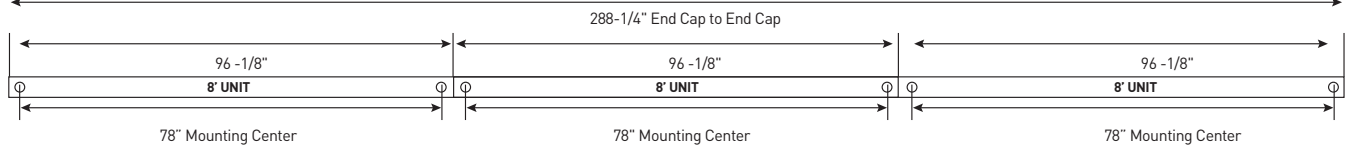
16' FIXTURE



20' FIXTURE



24' FIXTURE



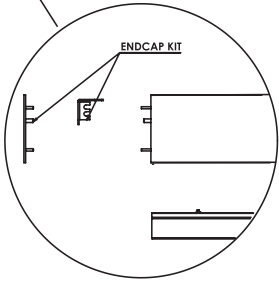
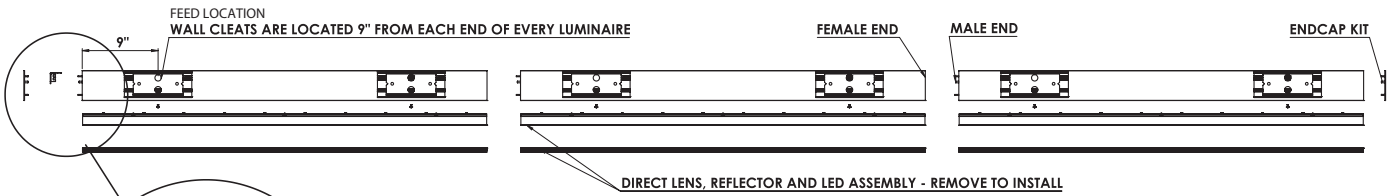
Feet	Units			End Cap Kits	Total Row Length (in) Endcap To Endcap
	4'	6'	8'		
14		1	1	1	168.25
16		1	2	1	192.25
18	1	1	1	1	216.25
20	1	1	2	1	240.25
22		1	2	1	264.25
24			3	1	288.25
26	1	1	2	1	312.25
28	1	1	3	1	336.25
30		1	3	1	360.25
32			4	1	384.25
34	1	1	3	1	408.25
36	1	1	4	1	432.25
38		1	4	1	456.25
40			5	1	480.25
42	1	1	4	1	504.25
44	1	1	5	1	528.25
46		1	5	1	552.25
48			6	1	576.25
50	1	1	5	1	600.25
52	1	1	6	1	624.25
54		1	6	1	648.25
56			7	1	672.25
58	1	1	6	1	696.25
60	1	1	7	1	720.25
62		1	7	1	744.25
64			8	1	768.25
66	1	1	7	1	792.25
68	1	1	8	1	816.25
70		1	8	1	840.25
72			9	1	864.25

\*\*\*NOTE: Looking at the luminaire mounted on the wall the feed location is on the left hand side of the luminaire .

9

**LUMINAIRE ROW LAYOUT: EXAMPLE OF A TWO AND THREE UNIT  
16', 20' - 24' (CAN BE MOUNTED IN OTHER CONFIGURATIONS)**

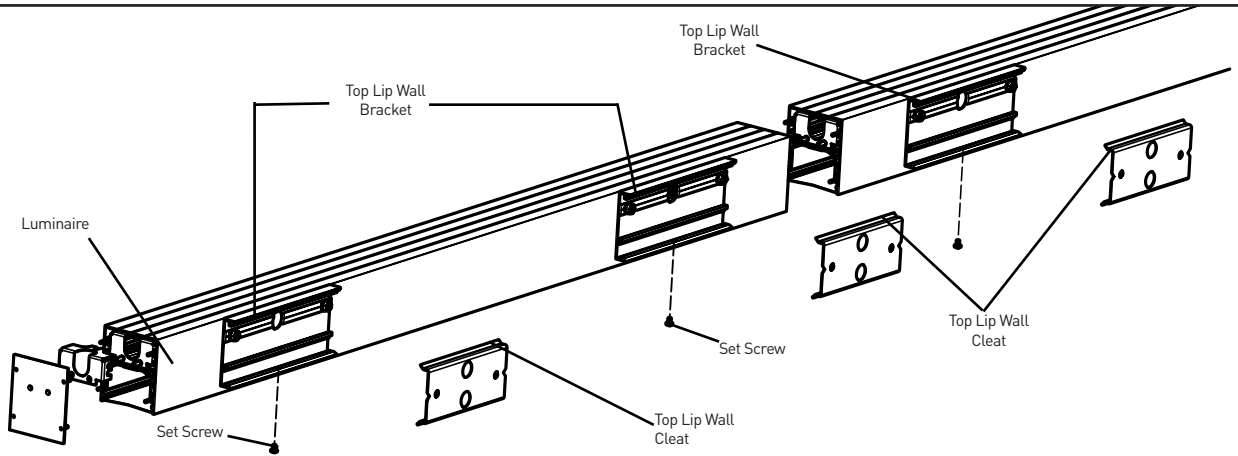
**EXAMPLE 3 FIXTURE CONTINUOUS ROW**



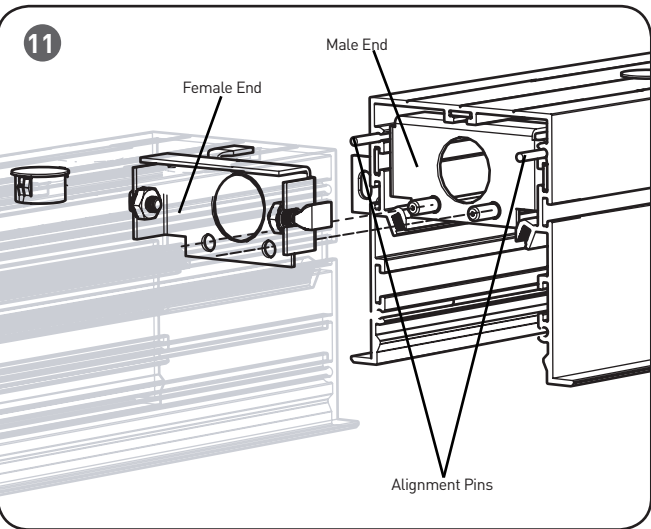
- CONSISTS OF:**
- QTY 3 - RUNNER LUMINAIRES (4FT, 6FT, OR 8FT) - EACH WITH FEMALE AND MALE ENDS
  - QTY 1 - ENDCAP KIT - COMES WITH 2 ENDCAPS, FEMALE JOINER BRACKET, AND HARDWARE

DIRECT LENS, REFLECTOR AND LED ASSEMBLY - REMOVE TO INSTALL

10



11



**STEP 5:**

Attach the first luminaire Right-Hand End of the Row (non-feed end) onto the Wall Cleats. Holding the luminaire at a slight angle with the bottom of luminaire away from the wall align the top lip of the Wall Brackets on the luminaire over the top lip of the Wall Cleat on the mounting surface. See **Figure 3 and 10**.

**NOTE:** Do not tighten the set screws on the luminaire at this time.

**STEP 6:**

Position second luminaire in row such that it aligns with female end of first luminaire. Attach luminaire to Wall Cleats in the same manner as the first luminaire was attached. Connect the second luminaire to the first luminaire as shown in **Figure 9 and 11**. Plug wire harness together and push excess wire into luminaire wiring chamber, ensure that wires are not pinched.

**STEP 7:**

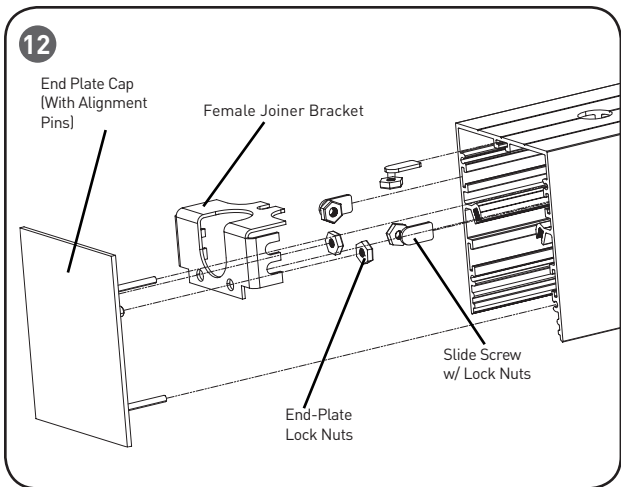
Push luminaires tightly together while making sure the alignment pins slide into the interior tracks of each luminaire and span the luminaire joint. Secure joint by tightening supplied keeps locknuts on threaded studs of male joiner bracket. See **Figure 9 and 11**.

**STEP 8:**

Continue to install and assemble row following steps 4-6 until the last luminaire is located over the customer supplied junction box.

**STEP 9:**

On the last luminaire cut the connector off the end of the thru wire harness. Route wire leads through the last Wall Cleat and into the junction box and make electrical connections per Section 3 "Electrical Connections".



### STEP 10:

Locate and install End Cap Kits:

- Attach the end cap to the male end of the first luminaire by removing the male joiner bracket by loosening the 2 keps nuts inside the luminaire and install the female joiner bracket using 2 keps locknuts and endcap (provided in the end cap kit) onto the end of the luminaire. See **Figure 12**.
- On the last luminaire in the run attach the endcap to the female end of the luminaire. Secure the endcap to the luminaire's female joiner bracket from the inside of the housing with 2 provided keps locknuts.

### STEP 11:

Once all luminaires in a row are installed, tighten Wall Cleat screws on all luminaires enough to hold luminaires snug to the wall.

### STEP 12:

Replace LED trays and lens that was removed in Step 4 above, ensure that no wires are pinched.

**NOTE:** For ST3-WI luminaires lens must be reinstalled with shiny side facing the LEDs for proper light distribution.

## FCC NOTICE

**CAUTION:** Changes or modifications not expressly approved could void your authority to use this equipment.

This device complies with part 15 of the FCC Rules. Operation is subject to the following two conditions: (1) This device may not cause harmful interference, and (2) this device must accept any interference received, including interference that may cause undesired operation.

This equipment has been tested and found to comply with the limits for a Class A digital device, pursuant to part 15 of the FCC Rules. These limits are designed to provide reasonable protection against harmful interference when the equipment is operated in a commercial environment. This equipment generates, uses, and can radiate radio frequency energy and, if not installed and used in accordance with the instruction manual, may cause harmful interference to radio communications. Operation of this equipment in a residential area is likely to cause harmful interference in which case the user will be required to correct the interference at his own expense. CAN ICES-005 (A)/NMB-005 (A)

## SECTION 8: ELECTRICAL CONNECTIONS

### STEP 1:

For **120/277/347V** applications make the following Electrical Connections:

- Connect the black luminaire lead to the supply lead.
- Connect the white luminaire lead to the neutral supply lead.
- Connect the green or green/yellow ground lead to the green supply lead.

For **208/240V** applications, make the following Electrical Connections:

- Connect Hot 1 supply lead to the black lead.
- Connect Hot 2 supply lead to the white lead
- Connect the green or green/yellow ground lead to the supply ground lead.

### STEP 2:

- If applicable, the dual feed option comes with the indirect switched Hot connected to the red luminaire lead. Connect the red luminaire lead to indirect switched Hot supply lead. If not being used, ensure to cap off red leads.
- If Dimming is an option; connect the violet dimming positive lead to the supply dimming positive lead. If dimming is not being used, ensure to cap off the violet lead. For dual feed indirect positive dimming lead is blue.
- If Dimming is an option; connect the grey dimming negative lead to the supply dimming negative lead. If dimming is not being used, ensure to cap off the grey lead. For dual feed indirect negative dimming lead is blue/white.

