

IMPORTANT SAFEGUARDS

When using electrical equipment, basic safety precautions should always be followed including the following:

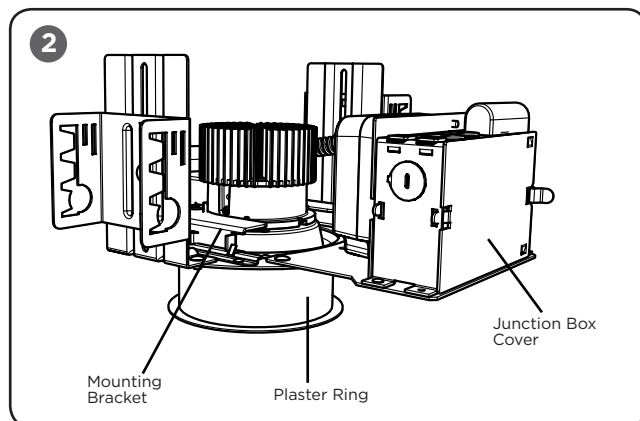
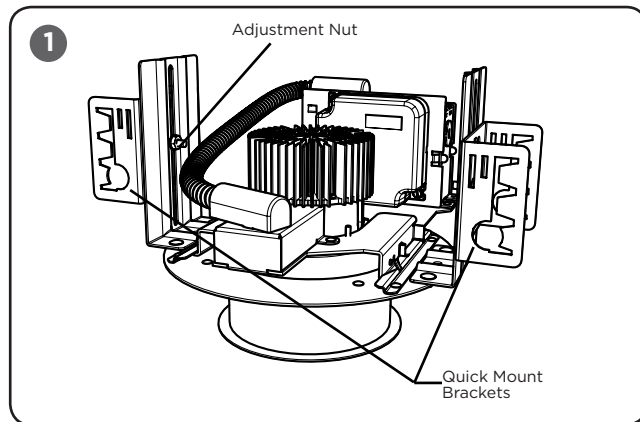
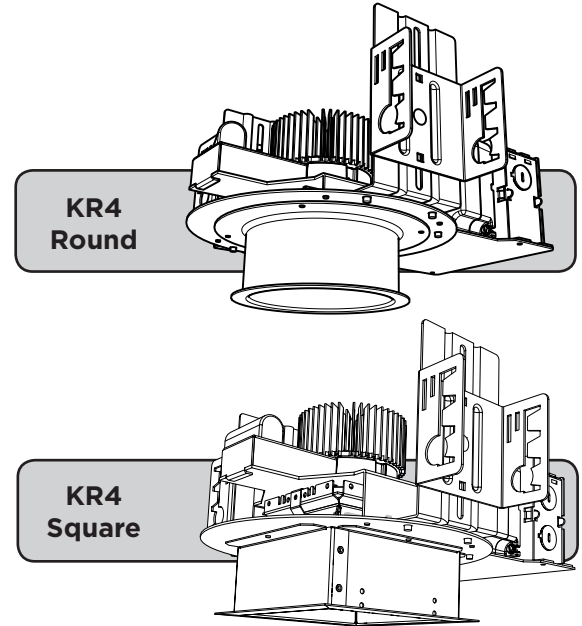
READ AND FOLLOW ALL SAFETY INSTRUCTIONS

- DANGER**- Risk of shock- Disconnect power before installation.
DANGER – Risque de choc – Couper l'alimentation avant l'installation.
- This luminaire must be installed in accordance with the NEC or your local electrical code. If you are not familiar with these codes and requirements, consult a qualified electrician.
Ce produit doit être installé conformément à NEC ou votre code électrique local. Si vous n'êtes pas familier avec ces codes et ces exigences, veuillez contacter un électricien qualifié.
- This luminaire is thermally protected. Do not install insulation within 3 inches (76 mm) of luminaire sides or junction box nor above luminaire in such a manner as to entrap heat. *Ne pas mettre l'isolant a moins de 76 mm (3 po) de toute partie du luminaire. Convient aux plafonds suspendus.*
- Blinking of this thermally protected luminaire may indicate overheating. Si l'ampoule de ce luminaire a protection thermique clignote, cela peut signifier une surchauffe.
- This luminaire must be supported by main runners or other building structure that is capable of supporting fixture weight.

SAVE THESE INSTRUCTIONS FOR FUTURE REFERENCE

TO INSTALL:

INSTALLATION INSTRUCTIONS



LUMINAIRE INSTALLATION

STEP 1:

Mark the intended location of the luminaire and cut appropriate opening in the ceiling using the chart below:

KR SERIES	CUTOUT DIMENSIONS
KR4 Round	4.75" (12 cm)
KR4 Square	5" x 5" (12.7 cm x 12.7 cm)

STEP 2:

Thread rigid conduit, bar stock, wire or C-channel (supplied by others) through quick-mount brackets at the sides of the fixture. See **Figure 1**.

STEP 3:

Attach mounting means to structure capable of supporting the luminaires weight.

STEP 4:

Adjust mounting height by loosening adjustment nut, see **Figure 1**, and then position bracket so that the bottom of the plaster ring is flush with the bottom of the opening of the finished ceiling.

STEP 5:

Tighten adjustment nut.

STEP 6:

To slide luminaire back for making electrical connection, reach inside the Plaster Ring and pull up on the tab located on the inside of the mounting bracket and slide luminaire back. See **Figure 2**.

STEP 7:

Remove one of the junction box covers and bring in appropriate power supply to the junction box using one of the knock-outs. See **Figure 2**.

STEP 8:

Wire luminaire per **"Electrical Connections"** section and refer to trim installation sheet to install trim.

**ELECTRICAL CONNECTIONS-
850 AND 1250 LUMEN WITH 120V/277V TRIAC DRIVER**

NOTE: Luminaire is intended to be wired to a specific voltage. Make sure that supply voltage matches voltage on electrical label next to the junction box. Connecting fixture to voltage other than that specified on the label may result in fixture damage and/or improper fixture operation.

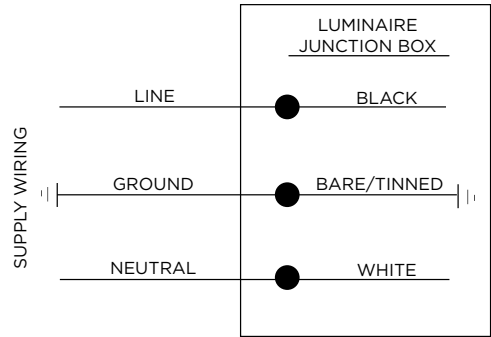
STEP 1:

Supply connections can be brought to the junction box using customer supplied conduit or cord.

STEP 2:

Using customer supplied 90°C minimum rated wire connectors, make the following electrical connections within the junction box.

- a. Connect supply ground wire to fixture ground (bare/tinned).
- b. Connect supply line conductor to fixture hot (black).
- c. Connect supply neutral conductor to fixture neutral (white).



**ELECTRICAL CONNECTIONS-
2000 AND 3000 LUMEN WITH 120/277V DRIVER (0-10V)**

OR

850 AND 1250 LUMEN WITH 120V/277V PHILIPS ADVANCE DRIVER (0-10V)

NOTE: Luminaire is intended to be wired to a specific voltage. Make sure that supply voltage matches voltage on electrical label next to the junction box. Connecting fixture to voltage other than that specified on the label may result in fixture damage and/or improper fixture operation.

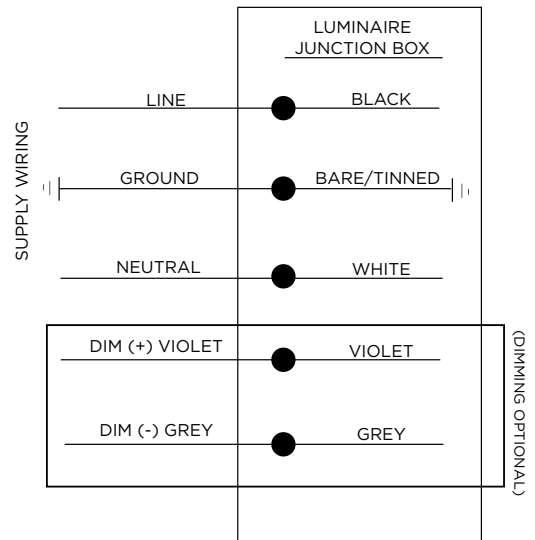
STEP 1:

Supply connections can be brought to the junction box using customer supplied conduit or cord.

STEP 2:

Using customer supplied 90°C minimum rated wire connectors, make the following electrical connections within the junction box.

- a. Connect the black fixture lead to the voltage supply lead.
- b. Connect white fixture lead to the neutral supply lead.
- c. Connect the green or green/yellow ground lead to the supply ground lead.
- d. If 0/1-10v Dimming is used, connect the violet lead to the supply positive dimming lead.
- e. If 0/1-10v Dimming is used, connect the gray lead to the supply negative dimming lead.



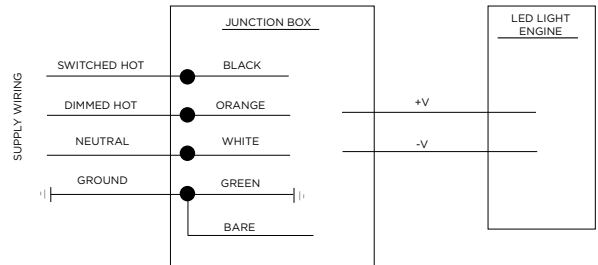
ELECTRICAL CONNECTIONS- LUTRON 3-WIRE DIMMING

NOTE: Luminaire is intended to be wired to a specific voltage. Make sure that supply voltage matches voltage on electrical label next to the junction box. Connecting fixture to voltage other than that specified on the label may result in fixture damage and/or improper fixture operation.

STEP 1:

Using customer supplied 90°C minimum rated wire connectors, make the following electrical connections within the junction box.

- Connect supply switched hot conductor to driver black.
- Connect supply dimmed hot conductor to driver orange.
- Connect supply neutral conductor to driver white.
- Connect the green ground lead of driver and the bare ground lead attached to junction box to the supply ground lead.



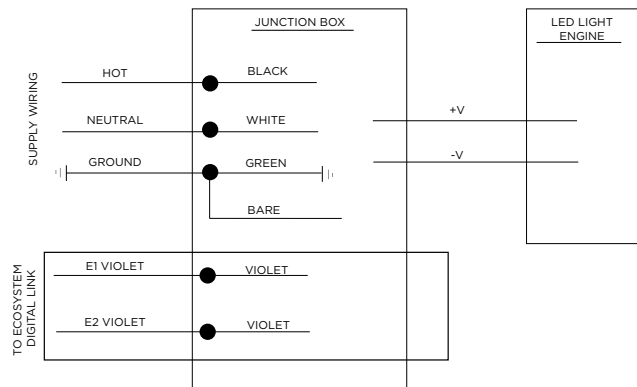
ELECTRICAL CONNECTIONS- LUTRON ECOSYSTEM DIGITAL

NOTE: Luminaire is intended to be wired to a specific voltage. Make sure that supply voltage matches voltage on electrical label next to the junction box. Connecting fixture to voltage other than that specified on the label may result in fixture damage and/or improper fixture operation.

STEP 1:

Using customer supplied 90°C minimum rated wire connectors, make the following electrical connections within the junction box.

- Connect the black fixture lead to the voltage supply lead.
- Connect white fixture lead to the neutral supply lead.
- Connect the green ground lead of driver and the bare ground lead attached to junction box to the supply ground lead.
- Connect the E1 violet lead to the supply positive dimming lead.
- Connect the E2 violet lead to the supply negative dimming lead.

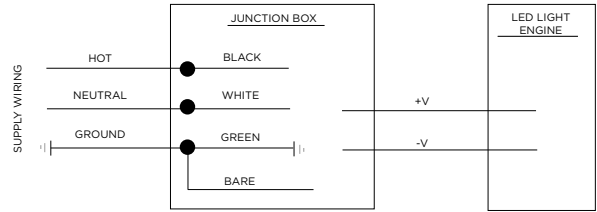


ELECTRICAL CONNECTIONS- LUTRON FORWARD PHASING (LFP)

STEP 1:

Using customer supplied 90°C minimum rated wire connectors, make the following electrical connections within the junction box.

- a. Connect the black fixture lead to the voltage supply lead.
- b. Connect white fixture lead to the neutral supply lead.
- c. Connect the green ground lead of driver and the bare ground lead attached to junction box to the supply ground lead.



LIMITED WARRANTY FOR CREE® KR SERIES LED DOWNLIGHTS (including KR4™)

This limited warranty is provided by the Cree company described below ("Seller") to you as the original purchaser of the Cree® KR Series downlight that is identified on Seller's invoice reflecting its original purchase (the "Product"). The Seller is the Cree company identified as such on the invoice. This limited warranty may be transferred to subsequent purchasers of the Product, provided that such Product is resold in new condition and in its original packaging. Seller warrants that the Product, when delivered in new condition and in its original packaging, will be free of defects in material and workmanship for a period of TEN (10) YEARS from the date of original purchase. The determination of whether the Product is defective shall be made by Seller in its sole discretion with consideration given to the overall performance of the Product. A Product shall not be considered defective solely as a result of the failure of individual LED components to emit light if the number of inoperable components is less than 10% of the total number of LED components in the Product. If Seller determines the Product is defective, Seller will elect, in its sole discretion, to refund you the purchase price of the Product, repair the Product or replace the Product. This limited warranty will not apply to loss or damage to the Product caused by: negligence; abuse; misuse; mishandling; improper installation, storage or maintenance; damage due to fire or acts of God; vandalism; civil disturbances; power surges; improper power supply; electrical current fluctuations; corrosive environment installations; induced vibration; harmonic oscillation or resonance associated with movement of air currents around the Product; alteration; accident; failure to follow installation, operating, maintenance or environmental instructions prescribed by Seller or applicable electrical codes; or improper service of the Product performed by someone other than Seller or its authorized service provider. This limited warranty excludes field labor and service charges related to the repair or replacement of the Product. THIS LIMITED WARRANTY IS VOID IF THE PRODUCT IS NOT USED FOR THE PURPOSE FOR WHICH IT IS DESIGNED. Seller reserves the right to utilize new, reconditioned, refurbished, repaired or remanufactured products or parts in the warranty repair or replacement process. Such products and parts will be comparable in function and performance to an original product or part, as determined by Seller in its sole discretion, and warranted for the remainder of the original warranty period. In order to make a warranty claim, you must notify Seller in writing within sixty (60) days after your discovery of the defect, provide proof of purchase such as the invoice and comply with Seller's other warranty requirements. Upon receiving that notice, Seller may require you to promptly return the Product to Seller, or its authorized service provider, freight prepaid. Your warranty claim should be addressed to Cree, Inc., 9201 Washington Avenue, Racine, WI 53406 or you may call Cree at (800) 236-6800 to receive a RGA# and instructions for return of the Product. This limited warranty only applies to Cree® KR Series downlights. Any warranties applicable to finish, poles, lamps, CR Series downlights, LR24™ troffers, certain BetaLED® Technology outdoor fixtures (specifically Class II as defined per IEC/EN60598), backup batteries, controls, occupancy sensors, photocells and other fixture accessories can be found at www.cree.com/lighting/products/warranty. THE FOREGOING WARRANTY PROVISIONS ARE EXCLUSIVE AND ARE GIVEN AND ACCEPTED IN LIEU OF ANY AND ALL OTHER WARRANTIES, WHETHER EXPRESS OR IMPLIED, INCLUDING WITHOUT LIMITATION ANY WARRANTY AGAINST INFRINGEMENT AND ANY IMPLIED WARRANTIES OF MERCHANTABILITY OR FITNESS FOR A PARTICULAR PURPOSE. IN NO EVENT SHALL SELLER BE LIABLE FOR INCIDENTAL, COMPENSATORY, CONSEQUENTIAL, INDIRECT, SPECIAL OR OTHER DAMAGES. SELLER'S AGGREGATE LIABILITY WITH RESPECT TO A DEFECTIVE PRODUCT SHALL IN ANY EVENT BE LIMITED TO THE MONIES PAID TO SELLER FOR THAT DEFECTIVE PRODUCT. This warranty is effective for purchases of Product on or after the effective date set forth below. Seller reserves the right to modify this warranty from time to time. Any modification of this warranty shall be effective for all orders placed with Seller on or after the effective date of such revised warranty.

Effective Date: January 1, 2013

THIS WARRANTY DOES NOT INCLUDE THIRD PARTY DRIVERS. VISIT WWW.CREE.COM FOR THIRD PARTY DRIVER WARRANTIES.