

INSTALLATION INSTRUCTIONS

IMPORTANT SAFEGUARDS

When using electrical equipment, basic safety precautions should always be followed including the following:

READ AND FOLLOW ALL SAFETY INSTRUCTIONS

1. To reduce the risk of electrical shock, turn off power supply before installation or servicing.
2. This luminaire must be installed in accordance with the NEC or your local electrical code. If you are not familiar with these codes and requirements, consult a qualified electrician.
3. This luminaire must be supported by main runners or other building structure that is capable of supporting fixture weight.
4. To reduce the risk of electric shock, disconnect both standard and emergency power supplies and converter connector of the emergency driver before servicing.
5. This luminaire is thermally protected. Do not install insulation within 3 inches (76 mm) of luminaire sides or junction box nor above luminaire in such a manner as to entrap heat.
6. Blinking LED may indicate fixture is too close to insulation.
7. DO NOT mount near gas or electric heaters.

SAVE THESE INSTRUCTIONS FOR FUTURE REFERENCE

DIMMING INFORMATION

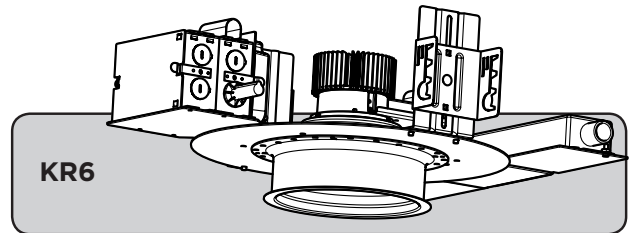
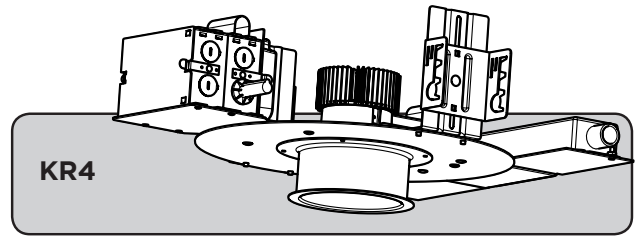
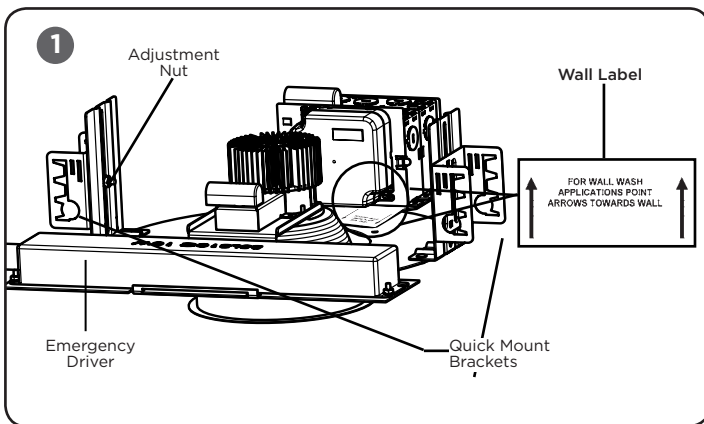
NOTE: The LMH2 850 and 1250 lumen light sources combined with the LMD125 120V drivers work with standard leading and trailing edge dimming technologies to reduce light levels down to 5%.

The LMH2 2000 and 3000 lumen light sources combined with the LMD300 120/277V drivers work with 0/1-10V dimming.

For the most current list of compatibles dimmers see the KR Document Library at the following link:

<http://www.cree.com/lighting>

TO INSTALL:



LUMINAIRE INSTALLATION

NOTE: An Illuminated Test Switch (ITS) with a testplate is shipped in a separate packaging with the luminaire to be installed by customer, see **Electrical Connections** section for wiring.

STEP 1:

Mark the intended location of the luminaire and cut appropriate opening in the ceiling using the chart below:

KR SERIES	CUTOUT DIMENSIONS
KR4	4.75 in (12 cm)
KR6	6.5 in (16.5 cm)

STEP 2:

Thread rigid conduit, bar stock, wire or C-channel (supplied by others) through quick-mount brackets at the sides of the fixture. See **Figure 1**.

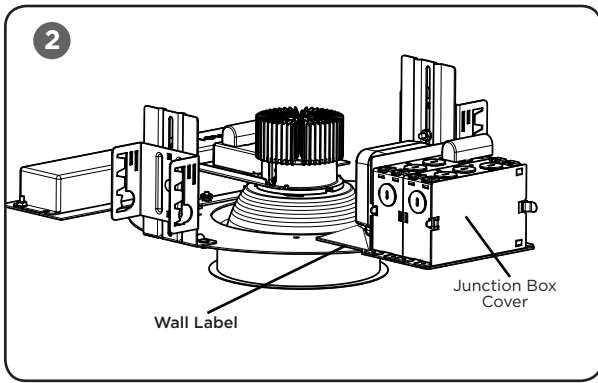
NOTE: For Wall Wash application orientate luminaire as indicated on Wall Label. See **Figure 1**.

STEP 3:

Attach mounting means to structure capable of supporting the luminaires weight.

STEP 4:

Adjust mounting height by loosening adjustment nut, see **Figure 1**, and then position bracket so that the bottom of the plaster ring is flush with the bottom of the opening of the finished ceiling.



STEP 5:

Tighten adjustment nut.

STEP 6:

Remove one of the junction box covers and bring in appropriate power supply to the junction box using one of the knock-outs. See **Figure 2**.

STEP 7:

Wire luminaire per **“Electrical Connections”** section and refer to trim installation sheet to install trim.

STEP 8:

Once electrical connections have been made reinstall junction box cover that was removed in Step 6.

EMERGENCY DRIVER CHECK

NOTE: For short-term testing of the emergency function, the battery must be charged for at least one hour. The emergency driver must be charged for at least 24 hours before conducting a long-term test.

STEP 1:

When AC power is applied, the charging indicator light is illuminated, indicating the battery is being charged. When power fails, the emergency driver automatically switches to emergency power, operating the LED array. When AC power is restored, the emergency driver returns to the charging mode.

STEP 2:

Although no routine maintenance is required to keep the emergency driver functional, it should be checked periodically to ensure that it is working. The following schedule is recommended:

- Visually inspect the charging indicator light monthly. It should be illuminated.
- Test the emergency operation of the fixture at 30-day intervals for a minimum of 30 seconds. When the test switch is depressed, the LED array should operate.
- Conduct a 90-minute discharge test once a year. The LED array should operate for at least 90 minutes.

If the luminaire fails any of these checks, consult service personnel.

REFER ANY SERVICING INDICATED BY THESE CHECKS TO QUALIFIED PERSONNEL

EMERGENCY DRIVER AND AC DRIVER MUST BE FED FROM THE SAME BRANCH CIRCUIT

**ELECTRICAL CONNECTIONS-
850 AND 1250 LUMEN WITH 120V - 277V DRIVER**

NOTE: Luminaire is intended to be wired to a specific voltage. Make sure that supply voltage matches voltage on electrical label next to the junction box. Connecting luminaire to voltage other than that specified on the label may result in luminaire damage and/or improper luminaire operation. The emergency driver must be fed from the same branch as the AC Driver.

STEP 1:

Supply connections can be brought to the junction box using customer supplied conduit.

STEP 2:

Using customer supplied 90°C minimum rated wire connectors, make the following electrical connections within the junction box.

- a. Connect supply ground lead to luminaire ground, bare/tinned wire.
- b. Connect the white/red luminaire lead to the supply switched hot.
- c. Connect supply line conductor to luminaire hot (black).
- d. Connect supply neutral conductor to luminaire neutral (white).

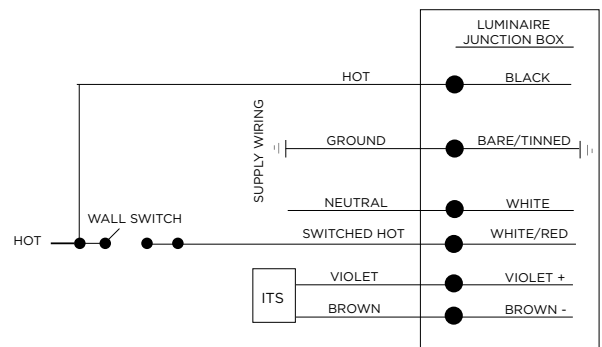
STEP 3:

Once ITS is installed make the following electrical connections within the junction box:

- a. Connect ITS violet lead to luminaire’s violet + lead.
- b. Connect ITS brown lead to luminaire’s brown - lead.

STEP 4:

Locate the two red leads coming off of the Emergency Driver and connect them using supplied connector. See **Figure 1**.



ELECTRICAL CONNECTIONS- 2000 AND 3000 LUMEN WITH 120 - 277V DRIVER

NOTE: Luminaire is intended to be wired to a specific voltage. Make sure that supply voltage matches voltage on electrical label next to the junction box. Connecting luminaire to voltage other than that specified on the label may result in luminaire damage and/or improper luminaire operation. The emergency driver must be fed from the same branch as the AC Driver.

STEP 1:

Supply connections can be brought to the junction box using customer supplied conduit.

STEP 2:

Using customer supplied 90°C minimum rated wire connectors, make the following electrical connections within the junction box.

- Connect the black luminaire lead to the voltage supply lead.
- Connect the white/red luminaire lead to the supply switched hot.
- Connect white luminaire lead to the neutral supply lead.
- Connect ground bare/tinned wire lead to the supply ground lead.
- If 0/1-10v Dimming is used, connect the violet lead to the supply positive dimming lead.
- If 0/1-10v Dimming is used, connect the gray lead to the supply negative dimming lead.

STEP 3:

Once ITS is installed make the following electrical connections within the junction box:

- Connect ITS violet lead to luminaire's violet + lead.
- Connect ITS brown lead to luminaire's brown - lead.

STEP 4:

Locate the two red leads coming off of the Emergency Driver and connect them using supplied connector. See **Figure 1**.

