

IMPORTANT SAFEGUARDS

When using electrical equipment, basic safety precautions should always be followed including the following:

READ AND FOLLOW ALL SAFETY INSTRUCTIONS

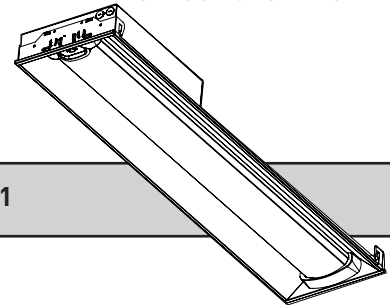
- DANGER**- Risk of shock- Disconnect power before installation.
DANGER – Risque de choc – Couper l'alimentation avant l'installation.
- This luminaire must be installed in accordance with the NEC or your local electrical code. If you are not familiar with these codes and requirements, consult a qualified electrician.
Ce produit doit être installé conformément à NEC ou votre code électrique local. Si vous n'êtes pas familier avec ces codes et ces exigences, veuillez contacter un électricien qualifié.
- Suitable for damp locations.
Convient aux emplacements humides.
- Access above ceiling required. Do not install insulation within 3" (76mm) of any part of the luminaire.
Accès requis au-dessus du plafond. Ne pas mettre l'isolant à moins de 76 mm (3 po) de toute partie du luminaire.

SAVE THESE INSTRUCTIONS FOR FUTURE REFERENCE

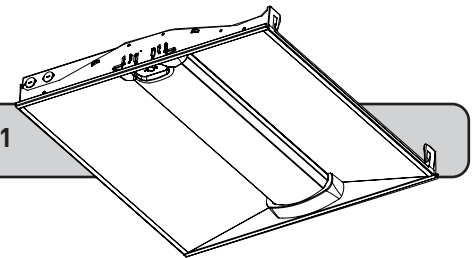
- The ZR-MT Series of specification troffers is for non-insulated ceiling applications using T-Bar ceiling grid, drywall grid adaptors, and suspended mount.
- Designed for use in 120-277V 50-60 Hz protected circuit (fuse box, circuit breaker). Supply wire sized as per NEC or governing code(s), 90C rated.
- Make sure to cap off all unused leads.

INSTALLATION INSTRUCTIONS INSTRUCTIONS D'INSTALLATION

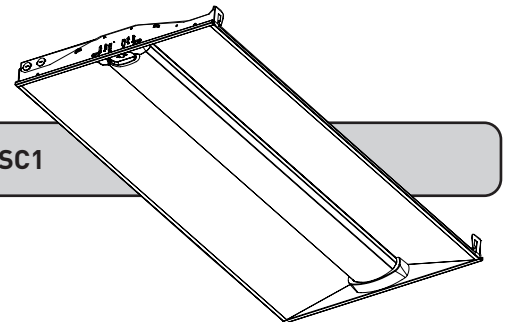
ZR14MT-SC1



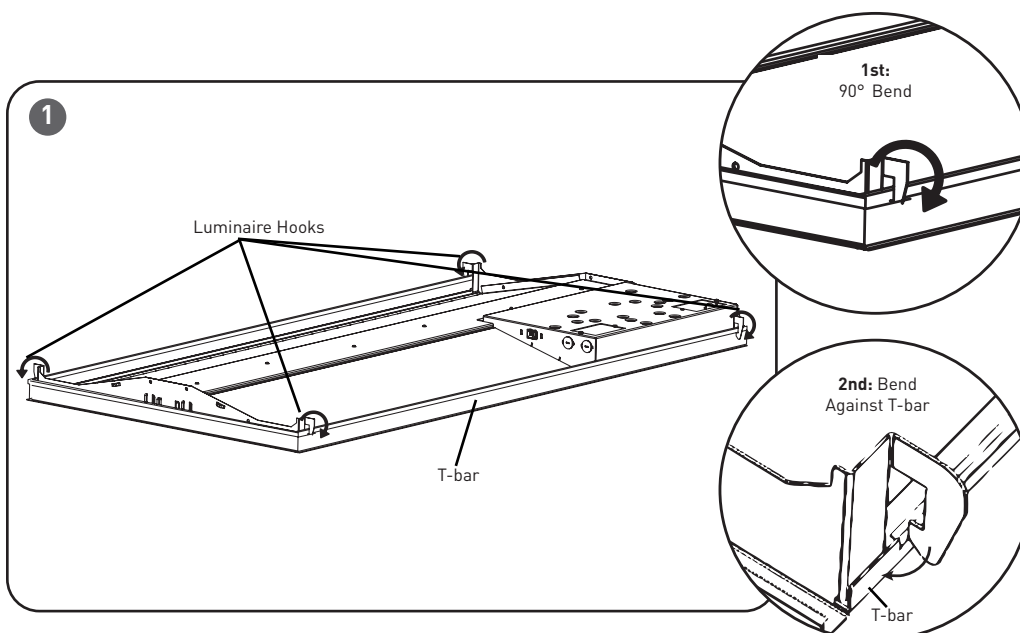
ZR22MT-SC1



ZR24MT-SC1



TO INSTALL:



T-BAR CEILING MOUNTING

STEP 1:

Bring the ZR-MT troffer up into the T-Bar grid.

STEP 2:

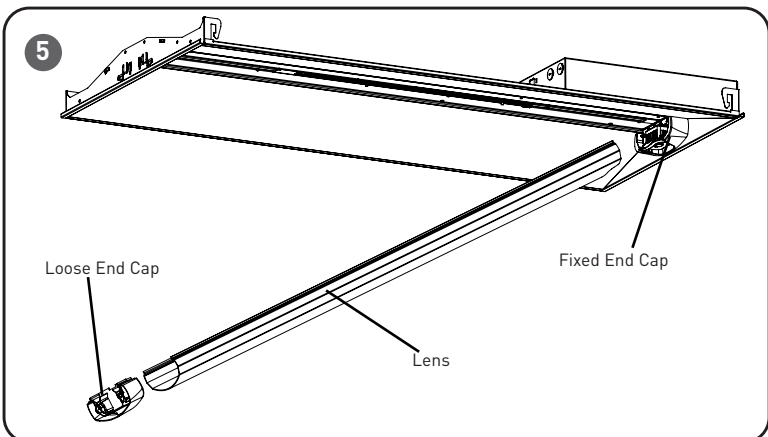
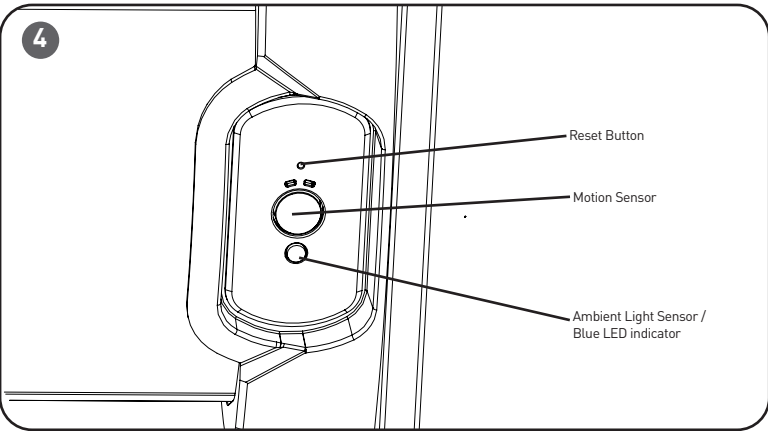
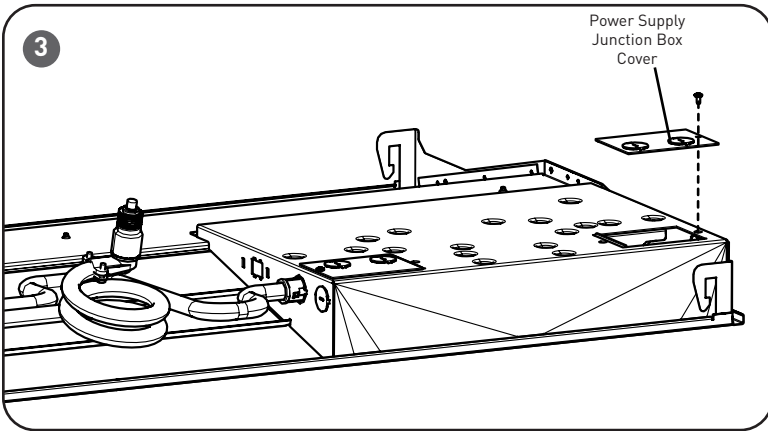
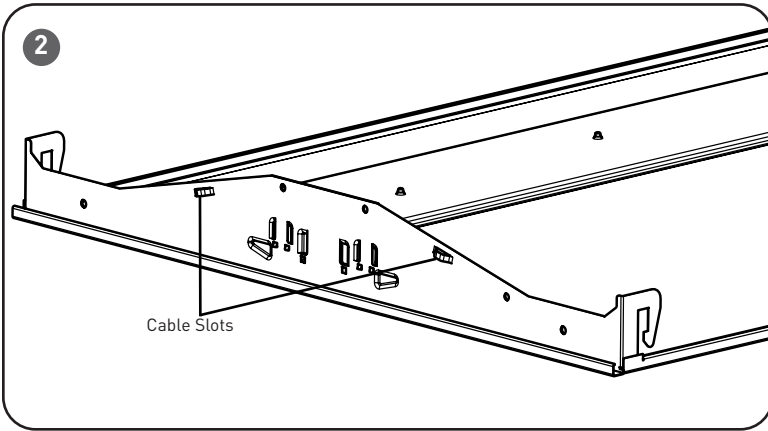
Locate the luminaire hooks and bend them out 90 degrees for installation. See **Figure 1**.

NOTE: The luminaire hooks ship bent in and need to be bent out for installation.

STEP 3:

Then bend the luminaire hooks against the T-Bar to secure the luminaire. See **Figure 1**.





SUSPENDED MOUNTING

STEP 1:

Disconnect power to circuit by turning circuit breaker OFF before installation.

STEP 2:

Attach customer supplied cables to the (2) cable slots on each side of the housing. See **Figure 2 and 3.**

STEP 3:

Attach customer supplied cables to mounting surface using customer supplied hardware. Ensuring that mounting surface can support the luminaire.

STEP 4:

Make wiring connections per the **Electrical Connection** section.

STEP 5:

Switch the circuit BREAKER on.

STEP 6:

Make sure the WIM blue LED has a double blink pattern. If not, please proceed to Troubleshooting section. Otherwise, you can proceed to commission the zone controller. Please refer to the Smartcast® document ion for details. See **Figure 4.**

RESET

STEP 1:

Actuate RESET button through the access hole. Press and hold Test/Reset button until the LED flashes fast (approximately 5 seconds). See **Figure 4.**

STEP 2:

Release the Test/Reset button for 1 second (Fast flashing continues). Press and hold Test/Reset for 1 second until fast flashing stops. If the blue LED does not respond with the two-blink sequence, please repeat the RESET procedure..

CLEANING LENS

STEP 1:

Remove lens and endcap by pulling down gently on one end near endcap. See **Figure 5.**

STEP 2:

Before installing lens, ensure that one endcap is already installed.

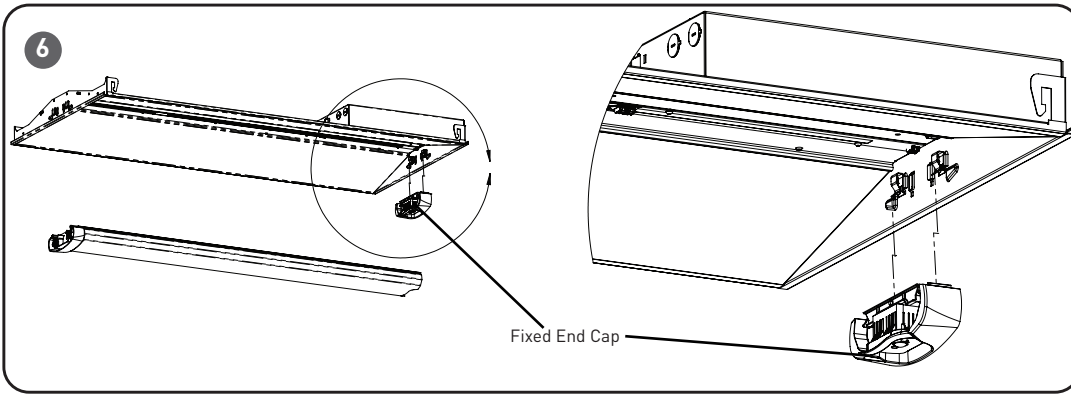
STEP 3:

After cleaning is complete, place loose endcap back onto lens and angle lens into fixed endcap. After getting lens seated into fixed endcap, rotate upwards to engage loose endcap into position. See **Figure 5.** Lens may need to be squeezed together to help guide into pan.

STEP 4:

Confirm there are no visible gaps along entire length of lens and around endcaps. If necessary, push endcaps against end panel or lens against luminaire to eliminate gaps

NOTE: If fixed endcap comes loose during removal, push upwards while using end panel as a stop to engage clips See **Figure 6 on the next page.**



TROUBLESHOOTING:

Out of the box, if the light does not turn on when power is applied:

- Check Wiring with power off
- If wired correctly, check to see if Blue LED has a double blink pattern. If not, please proceed to RESET procedure.
- If Blue LED is blinking, then perform a RESET (See RESET section).
- If Blue LED is on solid or off, call Cree Lighting Customer Service.
- If you have done a RESET, and the light is still off, call Cree Customer Service.

If light is unresponsive, use Cree Lighting Configuration Tool to verify configuration.

FCC NOTICE

CAUTION: Changes or modifications not expressly approved could void your authority to use this equipment.

This device complies with Part 15 of the FCC Rules. Operation to the following two conditions: (1) This device may not cause harmful interference, and (2) this device must accept any interference received, including interference that may cause undesired operation.

The LED in the front of this device operates within Risk Group 1 levels per IEC 62471.

This device has been tested and found to comply with the limits for a Class A digital device, pursuant to Part 15 of the FCC Rules. These limits are designed to provide reasonable protection against harmful interference when the device is operated in a commercial environment. This device generates, uses, and can radiate radio frequency energy and, if not installed and used in accordance with the instruction manual, may cause harmful interference to radio communications. Operation of this device in a residential area is likely to cause harmful interference in which case the user will be required to correct the interference at his own expense.

INDUSTRY CANADA STATEMENT

This device complies with Industry Canada licence-exempt RSS standard(s). Operation is subject to the following two conditions: (1) this device may not cause interference, and (2) this device must accept any interference, including interference that may cause undesired operation of the device. In addition, this device complies with ICES-003 of the Industry Canada (IC) Regulations.

Le présent appareil est conforme aux CNR d'Industrie Canada applicables aux appareils

radio exempts de licence. L'exploitation est autorisée aux deux conditions suivantes : (1) l'appareil ne doit pas produire de brouillage, et (2) l'utilisateur de l'appareil doit accepter tout brouillage radioélectrique subi, même si le brouillage est susceptible d'en compromettre le fonctionnement.

RF EXPOSURE NOTICE:

To comply with the FCC/IC RF exposure compliance requirements, this device and its antenna must not be co-located or operating to conjunction with any other antenna or transmitter.

This equipment shall be installed and operated with minimum distance 5 cm between the radiator & your body. No other antenna is authorized for use with this product.

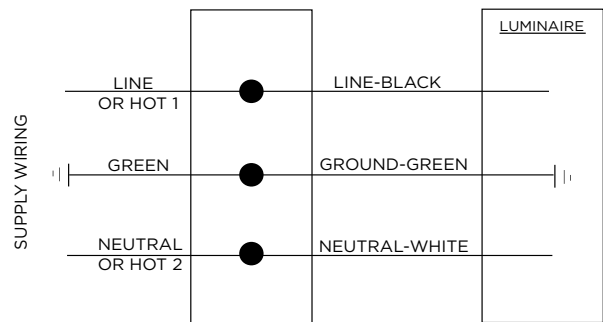
Pour correspond aux requis d'exposition au FCC/IC RF, cet appareil et son antenne ne doivent être localisée tout prêt ou opérer en conjonction avec d'autres antennes ou transmetteurs. Cet équipement doit être installé et opérer avec une distance minimum 5 cm entre l'émetteur et votre corps. Aucune autre antenne externe n'est autorisée à être utilisée avec ce produit.

ELECTRICAL CONNECTIONS- 120-277V INPUT

STEP 1:

Make the following Electrical Connections::

- For 120/277V connect the black fixture lead to the voltage supply or Hot 1 (for 208/240V wiring).
- For 120/277V connect the white fixture lead to the neutral supply or Hot 2 (for 208/240V wiring).
- Connect the green or green/yellow ground lead to ground.



© 2020 Cree Lighting, A company of IDEAL INDUSTRIES. All rights reserved. For informational purposes only. Content is subject to change. See www.creelighting.com/warranty for warranty and specifications. Cree® and the Cree logo are registered trademarks of Cree, Inc. SmartCast®, is a registered trademark of Cree Lighting, A company of IDEAL INDUSTRIES.



A COMPANY OF IDEAL INDUSTRIES, INC.

www.creelighting.com