

IMPORTANT SAFEGUARDS

When using electrical equipment, basic safety precautions should always be followed including the following:

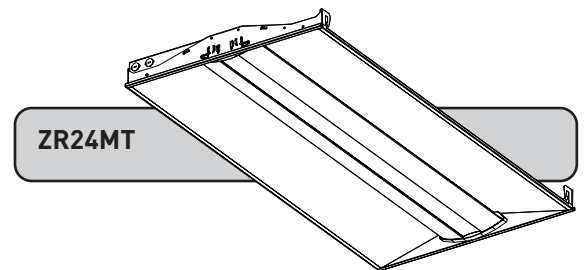
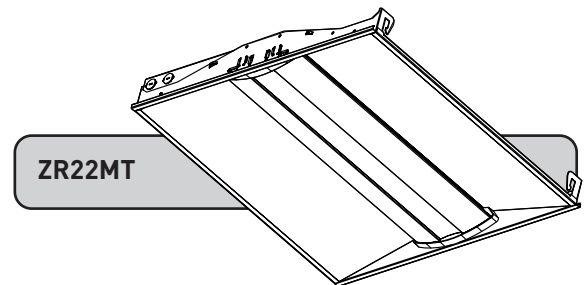
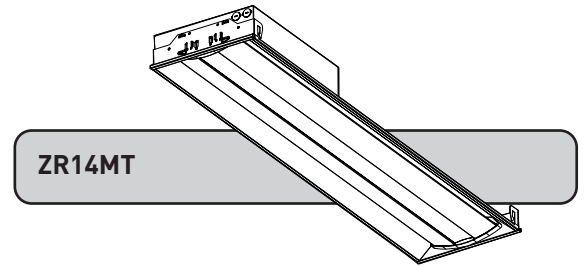
READ AND FOLLOW ALL SAFETY INSTRUCTIONS

- 1. DANGER-** Risk of shock- Disconnect power before installation.
DANGER – Risque de choc – Couper l'alimentation avant l'installation.
- This luminaire must be installed in accordance with the NEC or your local electrical code. If you are not familiar with these codes and requirements, consult a qualified electrician.
Ce produit doit être installé conformément à NEC ou votre code électrique local. Si vous n'êtes pas familier avec ces codes et ces exigences, veuillez contacter un électricien qualifié.
- Suitable for Damp Locations.
Convient aux emplacements humides.
- Access above ceiling required. Do not install insulation within 3 inches (76 mm) of any part of the luminaire. Suitable for suspended ceilings.
Acces requis au-dessus du plafond. Ne pas mettre l'isolant a moins de 76 mm (3 po) de toute partie du luminaire. Convient aux plafonds suspendus.

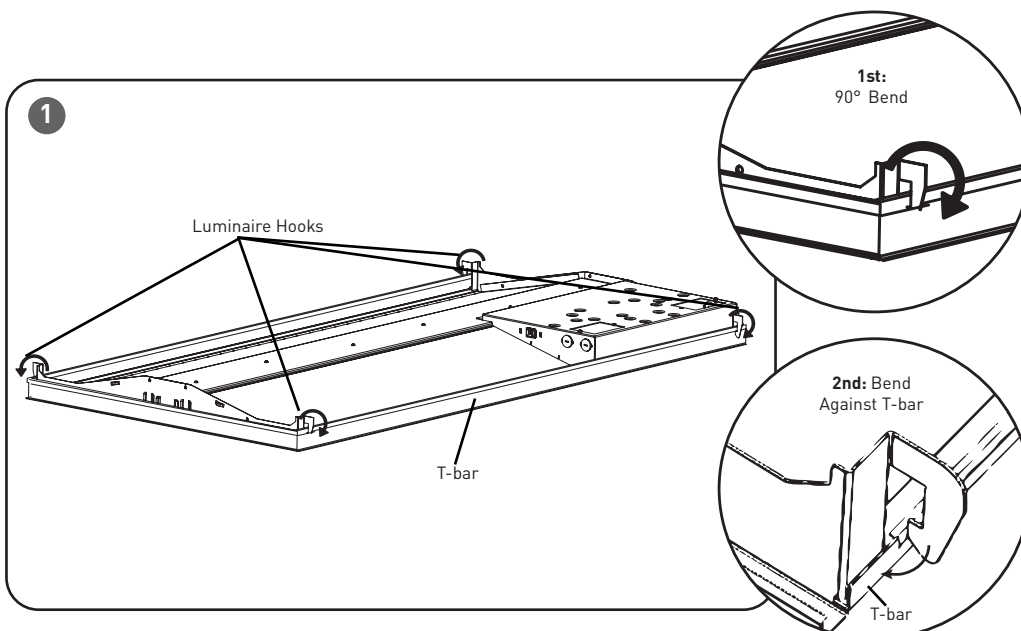
SAVE THESE INSTRUCTIONS FOR FUTURE REFERENCE

- The ZR-MT Series of specification troffers is for non-insulated ceiling applications using T-Bar ceiling grid, drywall grid adaptors, and suspended mount.
- Designed for use in 120-277V or 347V 50-60 Hz protected circuit (fuse box, circuit breaker). Supply wire sized as per NEC or governing code(s), 90C rated.
- Make sure to cap off all unused leads.
- Lens and removable end cap may shift during installation. To seat lens press end caps and squeeze lens to engage with back panel.

INSTALLATION INSTRUCTIONS INSTRUCTIONS D'INSTALLATION



TO INSTALL:



T- BAR CEILING MOUNTING

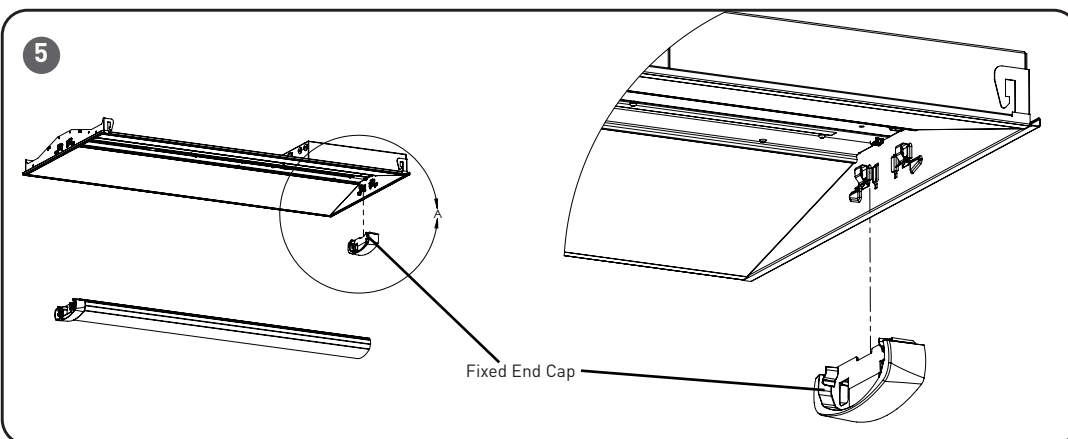
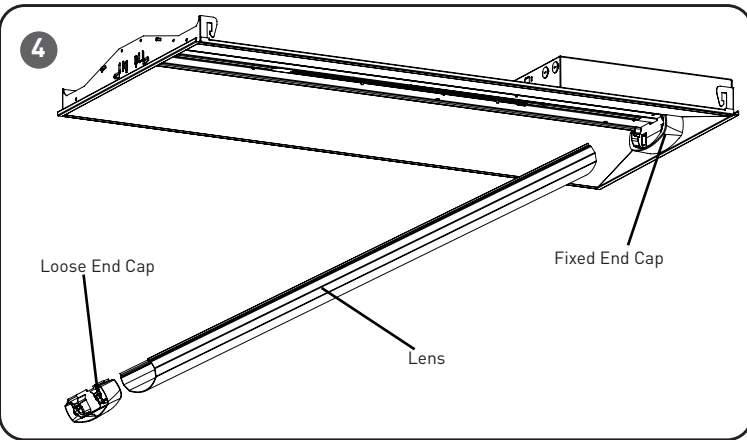
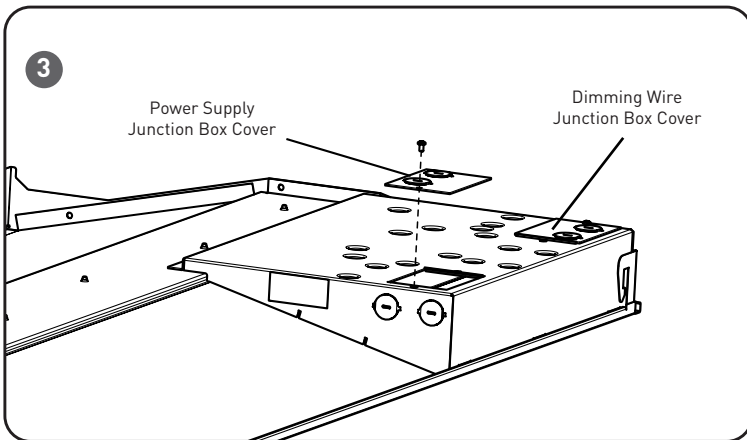
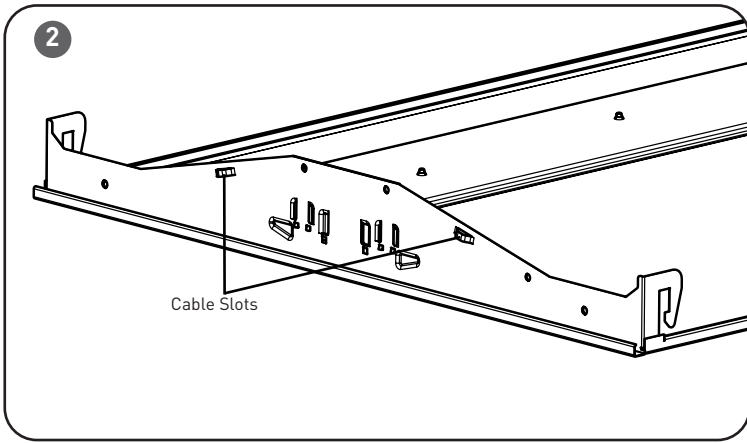
STEP 1:
Bring the ZR-MT troffer up into the T-Bar grid.

STEP 2:
Locate the luminaire hooks and bend them out 90 degrees for installation. See **Figure 1**.

NOTE: The luminaire hooks ship bent in and need to be bent out for installation.

STEP 3:
Then bend the luminaire hooks against the T-Bar to secure the luminaire. See **Figure 1**.





SUSPENDED MOUNTING

STEP 1:

Attach customer supplied cables to the (2) cable slots on each side of the housing. See **Figure 2**.

STEP 2:

Attach customer supplied cables to mounting surface using customer supplied hardware. Ensuring that mounting surface can support the luminaire.

0 - 10V DIMMING OPTION

STEP 1:

Remove the cover of the junction box and bring in appropriate power supply to the junction box using one of the knock-outs. See **Figure 3**.

STEP 2:

Remove the cover of the dimming junction box and bring dimming conduit into dimming wire compartment using the knock-out. See **Figure 3**.

STEP 3:

Wire luminaire per "**Electrical Connections**" section and push all leads into the junction box. Reattach junction box cover that was removed in Step 1, make sure no wires are pinched.

CLEANING LENS

STEP 1:

Remove lens and endcap by pulling down gently on one end near endcap. See **Figure 4**.

STEP 2:

Before installing lens, ensure that one endcap is already installed.

STEP 3:

After cleaning is complete, place loose endcap back onto lens and angle lens into fixed endcap. After getting lens seated into fixed endcap, rotate upwards to engage loose endcap into position. See **Figure 4**. Lens may need to be squeezed together to help guide into pan.

STEP 4:

Confirm there are no visible gaps along entire length of lens and around endcaps. If necessary, push endcaps against end panel or lens against luminaire to eliminate gaps

NOTE: If fixed endcap comes loose during removal, push upwards while using end panel as a stop to engage clips See **Figure 5**.

FCC NOTICE

CAUTION: Changes or modifications not expressly approved could void your authority to use this equipment.

This device complies with part 15 of the FCC Rules. Operation is subject to the following two conditions: (1) This device may not cause harmful interference, and (2) this device must accept any interference received, including interference that may cause undesired operation.

This equipment has been tested and found to comply with the limits for a Class A digital device, pursuant to part 15 of the FCC Rules. These limits are designed to provide reasonable protection against harmful interference when the equipment is operated in a commercial environment. This equipment generates, uses, and can radiate radio frequency energy and, if not installed and used in accordance with the instruction manual, may cause harmful interference to radio communications. Operation of this equipment in a residential area is likely to cause harmful interference in which case the user will be required to correct the interference at his own expense.

CAN ICES-005 (A)/NMB-005 (A)

Le présent appareil est conforme aux CNR d'Industrie Canada applicables aux appareils radio exempts de licence. L'exploitation est autorisée aux deux conditions suivantes : (1) l'appareil ne doit pas produire de brouillage, et (2) l'utilisateur de l'appareil doit accepter tout brouillage radioélectrique subi, même si le brouillage est susceptible d'en compromettre le fonctionnement.

ELECTRICAL CONNECTIONS

STEP 1:

Make the following Electrical Connections::

- For 120/277V/347V connect the black fixture lead to the voltage supply or Hot 1 (for 208/240V wiring).
- For 120/277V/347V connect the white fixture lead to the neutral supply or Hot 2 (for 208/240V wiring).
- Connect the green or green/yellow ground lead to ground.
- If 0/1-10V Dimming is used, connect the violet lead to the supply positive dimming lead. If dimming is not being used ensure to cap off the violet lead.
- If 0/1-10V Dimming is used, connect the gray lead to the supply negative dimming lead. If dimming is not being used ensure to cap off the gray lead.
- Secure incoming dimming leads to the existing strain relief, to prevent contact with primary wiring.

