

## IMPORTANT SAFEGUARDS

When using electrical equipment, basic safety precautions should always be followed including the following:

## READ AND FOLLOW ALL SAFETY INSTRUCTIONS

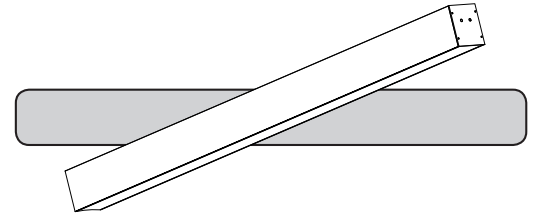
- DANGER**- Risk of shock- Disconnect power before installation.  
**DANGER** – *Risque de choc – Couper l'alimentation avant l'installation.*
- This luminaire must be installed in accordance with the NEC or your local electrical code. If you are not familiar with these codes and requirements, consult a qualified electrician.  
*Ce produit doit être installé conformément à NEC ou votre code électrique local. Si vous n'êtes pas familier avec ces codes et ces exigences, veuillez contacter un électricien qualifié.*
- SUITABLE FOR CONTINUOUS ROW MOUNTING.  
*PEUT ÊTRE MONTÉ EN RANGÉE CONTINUE.*
- Suitable for Damp Locations.  
*Convient aux emplacements humides.*
- MIN. 90C SUPPLY CONDUCTORS.  
*LES FILS D'ALIMENTATION 90C MIN.*
- INHERENTLY PROTECTED.
- TYPE IC. VAPOR BARRIER MUST BE SUITABLE FOR 90C.  
*TYPE IC. LE PARE-VAPEUR DOIT CONVENIR POUR 90 °C. PROTECTION INHERENTE.*
- Make sure the equipment is properly grounded.
- Always de-energize the circuit and/or equipment before connecting to, disconnecting from or servicing the equipment

## SAVE THESE INSTRUCTIONS FOR FUTURE REFERENCE

### NOTES:

- CAUTION** - It is the installers responsibility to ensure that ceiling is structurally capable of supporting the weight of luminaire/luminaire row.
- Endcap kits and joining hardware are packaged separately for continuous rows.
- To Prevent Luminaire Row From Over-Current: By adding the input current of each luminaire section marked on the luminaire, the total current per power feed must not exceed the maximum line wire amperage rating in the luminaire and the power feed cord/wire amperage rating whichever is least.

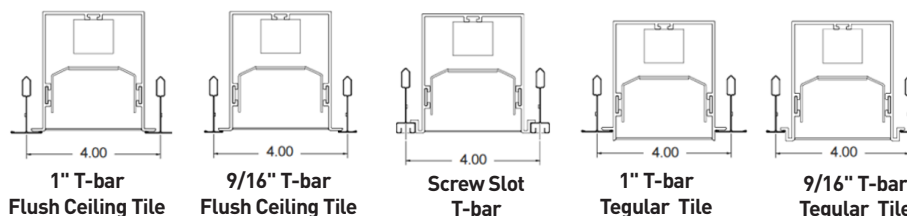
## INSTALLATION INSTRUCTIONS INSTRUCTIONS D'INSTALLATION



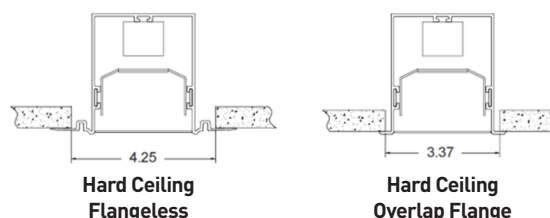
### Installation Instructions are divided into 5 sections:

- On Grid Mounting - Individual Recessed Mounting
- On Grid Mounting - Continuous Row Recessed Mounting
- Off Grid Mounting (Hard Ceiling) - Individual Recessed Mounting
- Off Grid Mounting (Hard Ceiling) - Continuous Row Recessed Mounting
- Electrical Connections

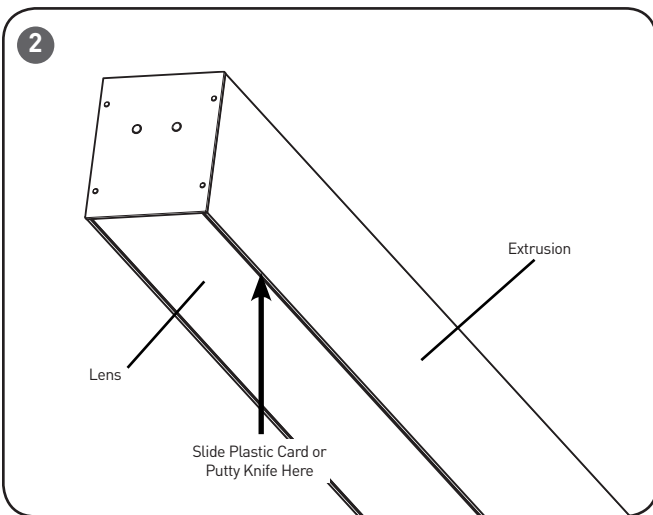
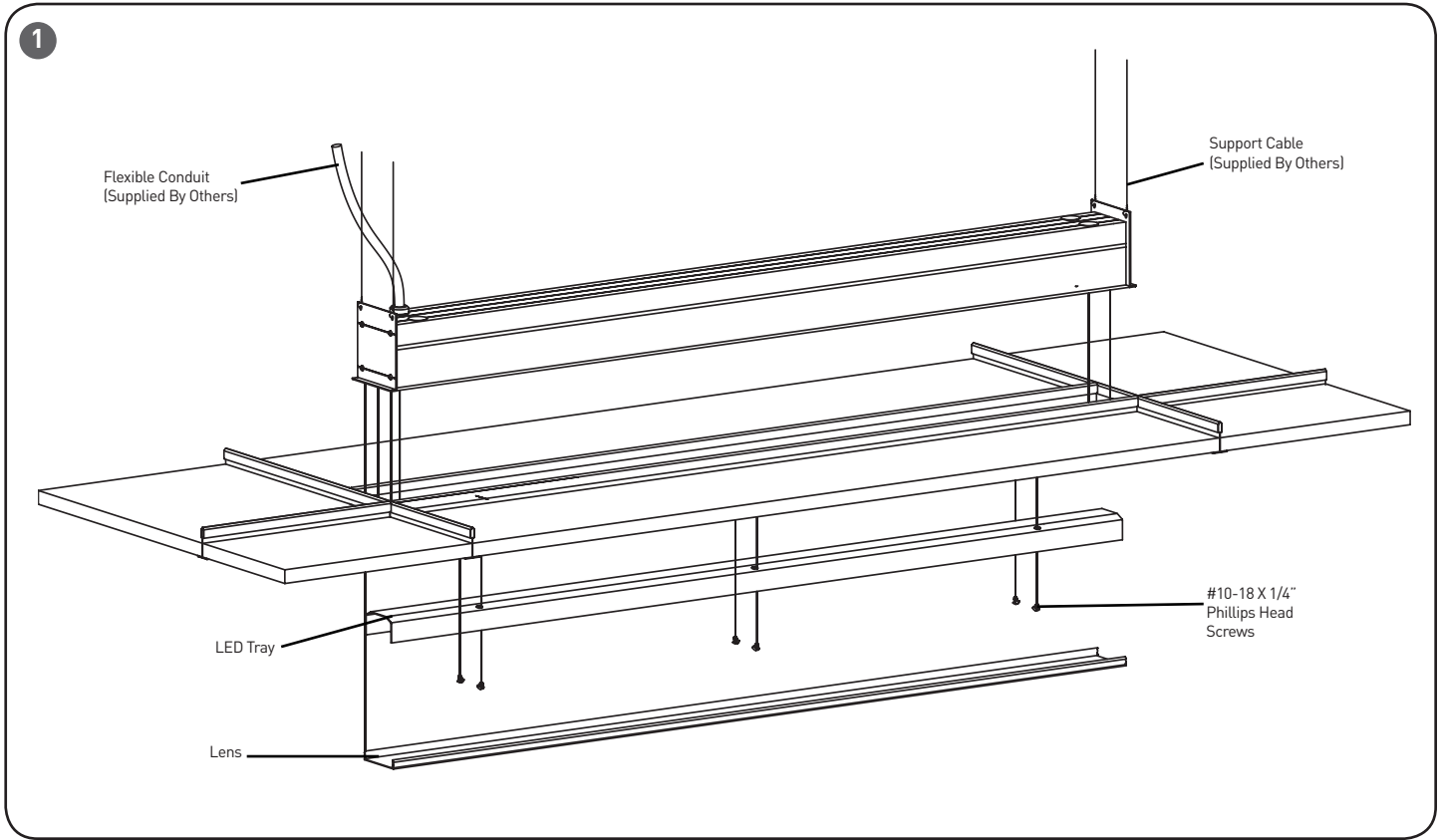
### ON GRID MOUNTING



### OFF GRID MOUNTING



## TO INSTALL:



### SECTION 1: ON GRID MOUNTING INDIVIDUAL RECESSED MOUNTING

**CAUTION:** Ceiling contractor must provide an uninterrupted, continuous rough opening utilizing tee grids spaced at 4" center to center. Length of opening should be determined from **Figure 3 on next page**. Tee grids must be secured to structure above to support weight of luminaire.

**CAUTION:** Luminaires should be secured to structure above to support weight of luminaire.

#### STEP 1:

Remove lens and upper LED/reflector tray and set aside in order of run placement for reinstalling later. To remove lens, carefully slide a plastic card or putty knife between the lens and extrusion towards the end of the luminaire. Using the plastic card or putty knife, push the lens inward until the lens comes free. See **Figure 1 and 2**.

#### STEP 2:

After removing the lens, remove the Phillips head reflector screws, remove the LED Reflector Tray, and disconnect the LED harness. Set lens and LED Reflector tray aside. See **Figure 1**.

#### STEP 3:

Attach customer supplied support cables to luminaire and structure above as shown in **Figure 1**:

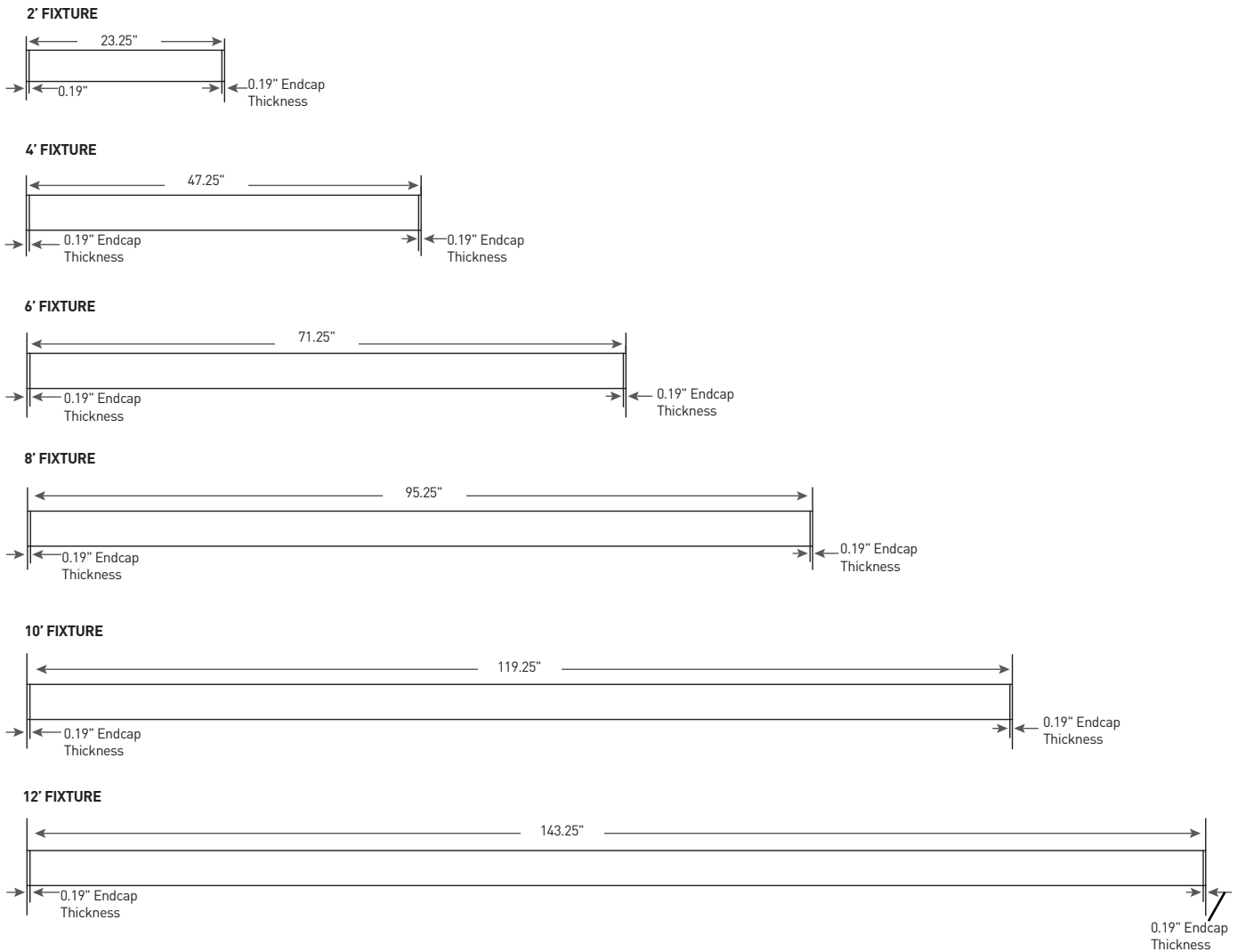
#### STEP 4:

Using one of the 7/8" diameter holes on the end of the luminaire, install customer supplied conduit and make electrical connections per Section 5 "**Electrical Connections**"

#### STEP 5:

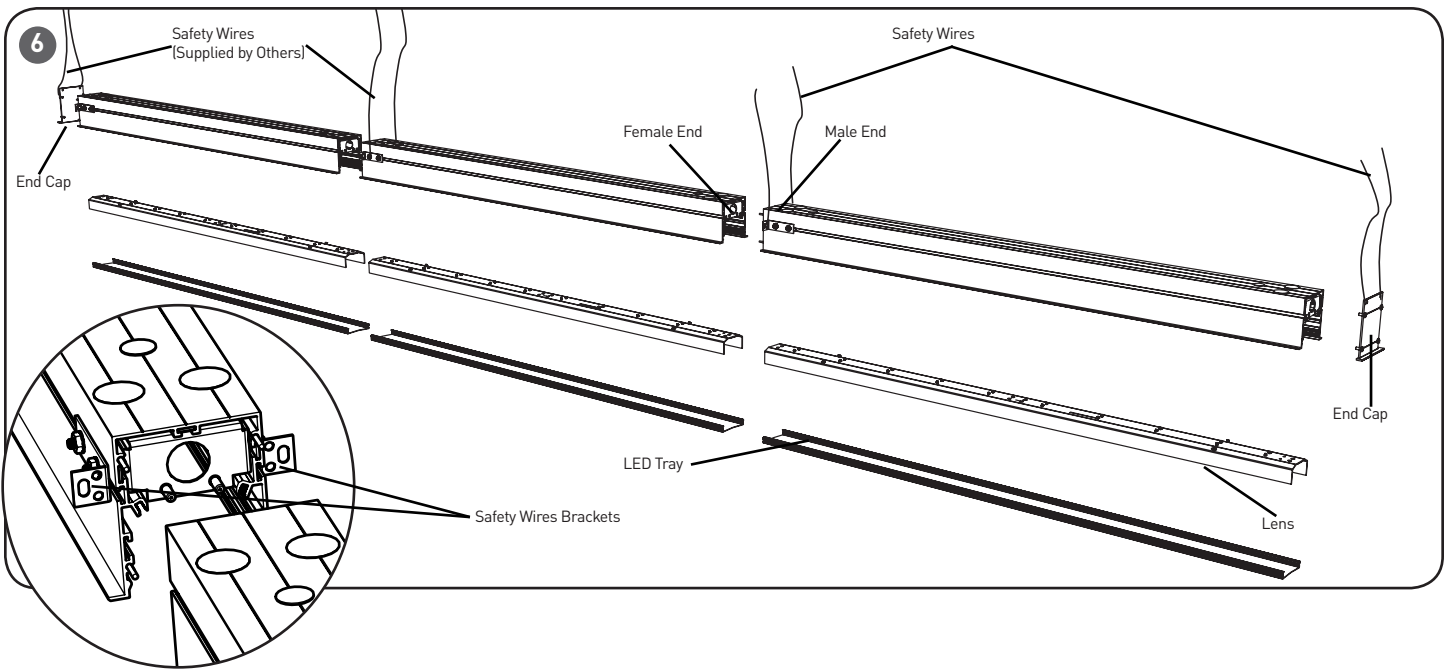
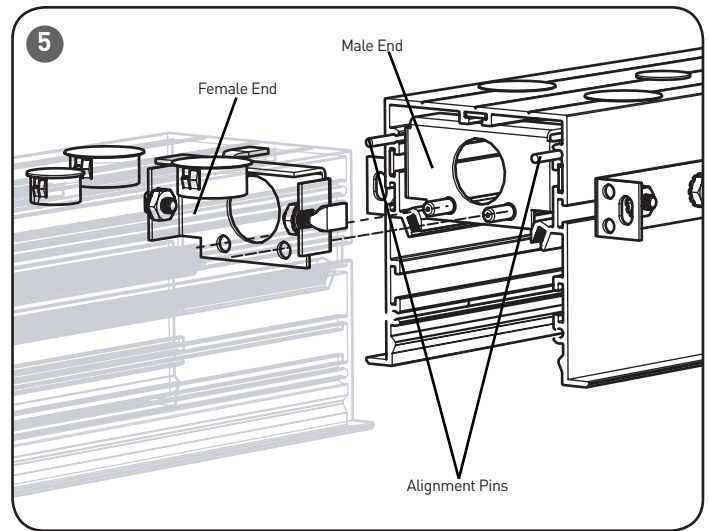
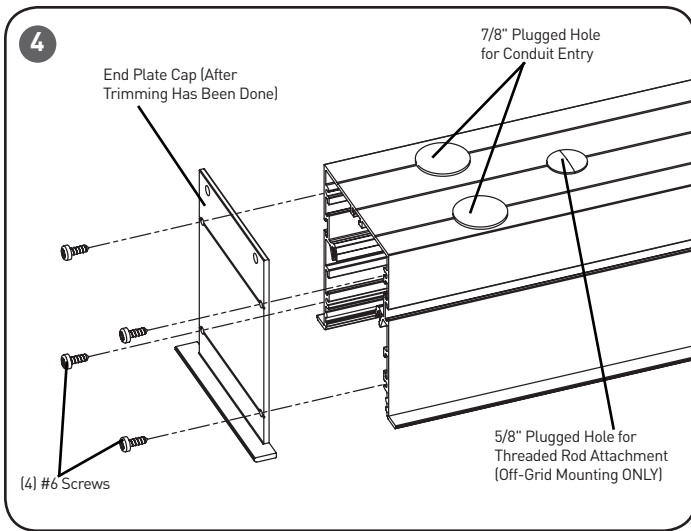
Reconnect LED harness. Replace LED trays and lens that was removed in Step 1 & 2 above, ensure that no wires are pinched.

### LUMINAIRE ROW LAYOUT: SINGLE UNIT 2' - 12'



\*\*\*NOTE: Plugged holes provided for conduit entry are located 2" from both ends of each luminaire.

\*\*\*NOTE: Luminaires intended for Hard Off Grid Ceiling are to be installed with threaded rod to structure above 'by others' and should be installed accordance with these instructions. Plugged holes for threaded rod attachment are located 4in from both ends of each luminaire.



## SECTION 2: ON GRID MOUNTING - CONTINUOUS ROW RECESSED MOUNTING

**CAUTION:** Ceiling contractor must provide an uninterrupted, continuous rough opening utilizing tee grids spaced 4" center to center. Length of opening should be determined from **Figure 7 on next page**. Tee grids and luminaire must be secured to structure above to support weight of luminaire.

**CAUTION:** Do not attempt to assemble luminaire rows on the ground and then lift into position. This may create stress at the connection points and may result in damage and/or mechanical failure.

**CAUTION:** Do not connect power in a run until all of run is installed, wire harnesses connected, and luminaire joints completed.

### STEP 1:

Remove lens and LED/reflector tray and set aside in order of run placement for reinstalling later. To remove lens, carefully slide a plastic card or putty knife between the lens and extrusion towards the end of the luminaire. Using the plastic card or putty knife, push the lens inward until the lens come free. After removing the lens, remove the Philips head

reflector screws, remove the LED Reflector Tray, and disconnect the LED harness. Set lens and LED Reflector tray aside. See **Figure 1 and 2**.

### STEP 2:

Locate and install End Cap Kits. Install End Cap with (4) #6 screws from end cap kit. The end cap has to be trimmed, the amount depends on the run length. Each notch corresponds to the successive Trim Length section in the chart on the next page (See **Figure 7**). In order to install the end cap on the male end of the luminaire, replace the male joiner bracket with the female joiner bracket and remove the alignment pins. See **Figure 4 and 6**.

### STEP 3:

Lay the first luminaire Right-Hand End of the Row into the grid per **Figure 7** grid requirements.

### STEP 4:

Position second luminaire in row such that it aligns with joint end (male end) of first luminaire. Attach using customer supplied hardware to structure above. Connect the second luminaire to the first

luminaire as shown in **Figure 5 and 6**. Plug wire harness together and push excess wire into luminaire wiring chamber, ensure that wires are not pinched.

### STEP 5:

Push luminaires tightly together while making sure the alignment pins slide into the interior tracks of each luminaire and span the luminaire joint. Secure joint by tightening supplied keps locknuts on threaded studs of male joiner bracket. Attach safety wires to luminaire safety wire bracket and structure above as shown in **Figure 5 and 6**.

### STEP 6:

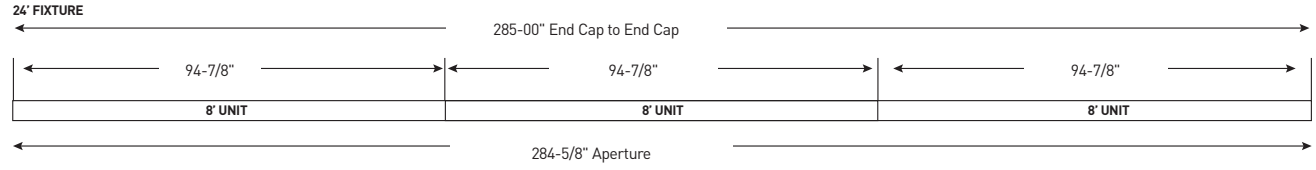
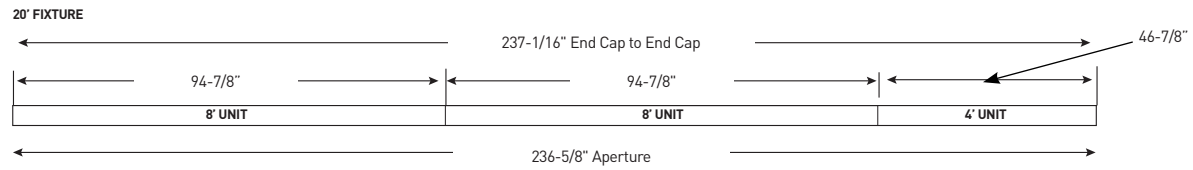
Continue to install and assemble row following steps 1-5 above. Using one of the 7/8" dia. holes on the End unit (Left-Hand End of Run) luminaire, install conduit connector and make electrical connections per Section 5 "Electrical Connections".

### STEP 7:

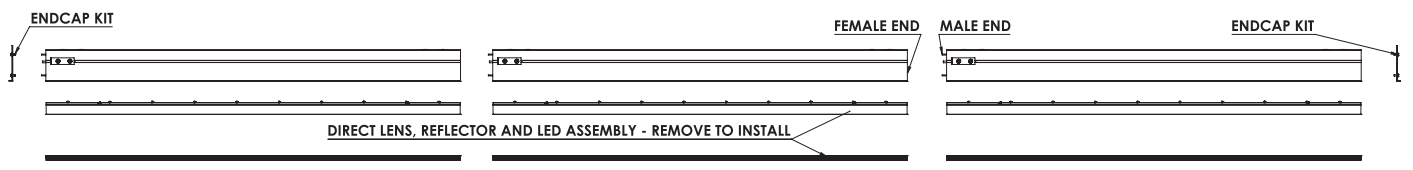
Replace LED trays and lens that was removed in Step 1 above, ensure that no wires are pinched.

7

LUMINAIRE ROW LAYOUT: EXAMPLE OF A THREE UNIT 20' - 24' (CAN BE MOUNTED IN OTHER CONFIGURATIONS)



EXAMPLE 3 FIXTURE CONTINUOUS ROW

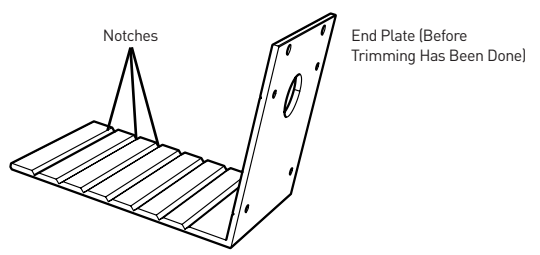


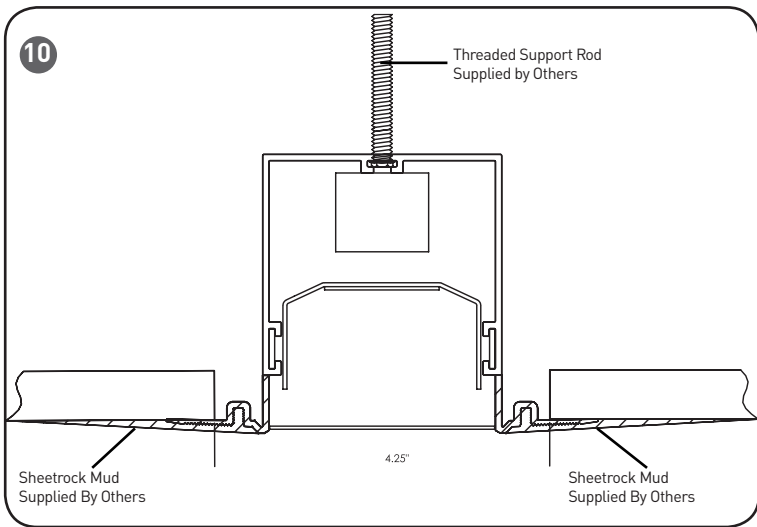
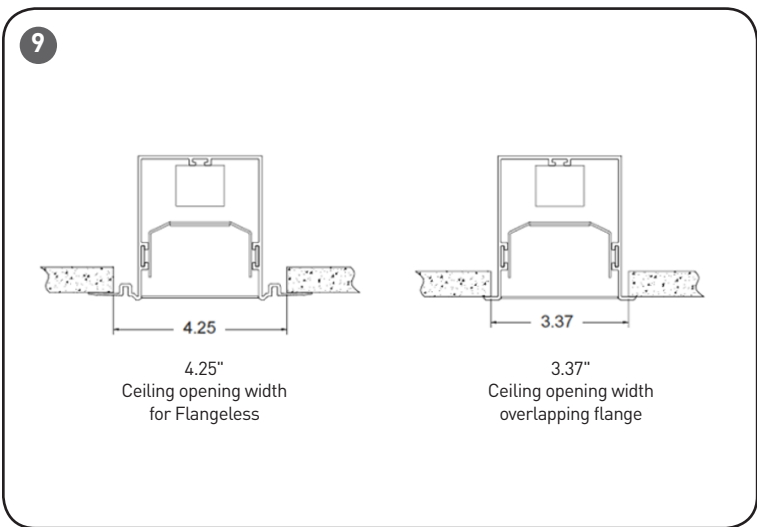
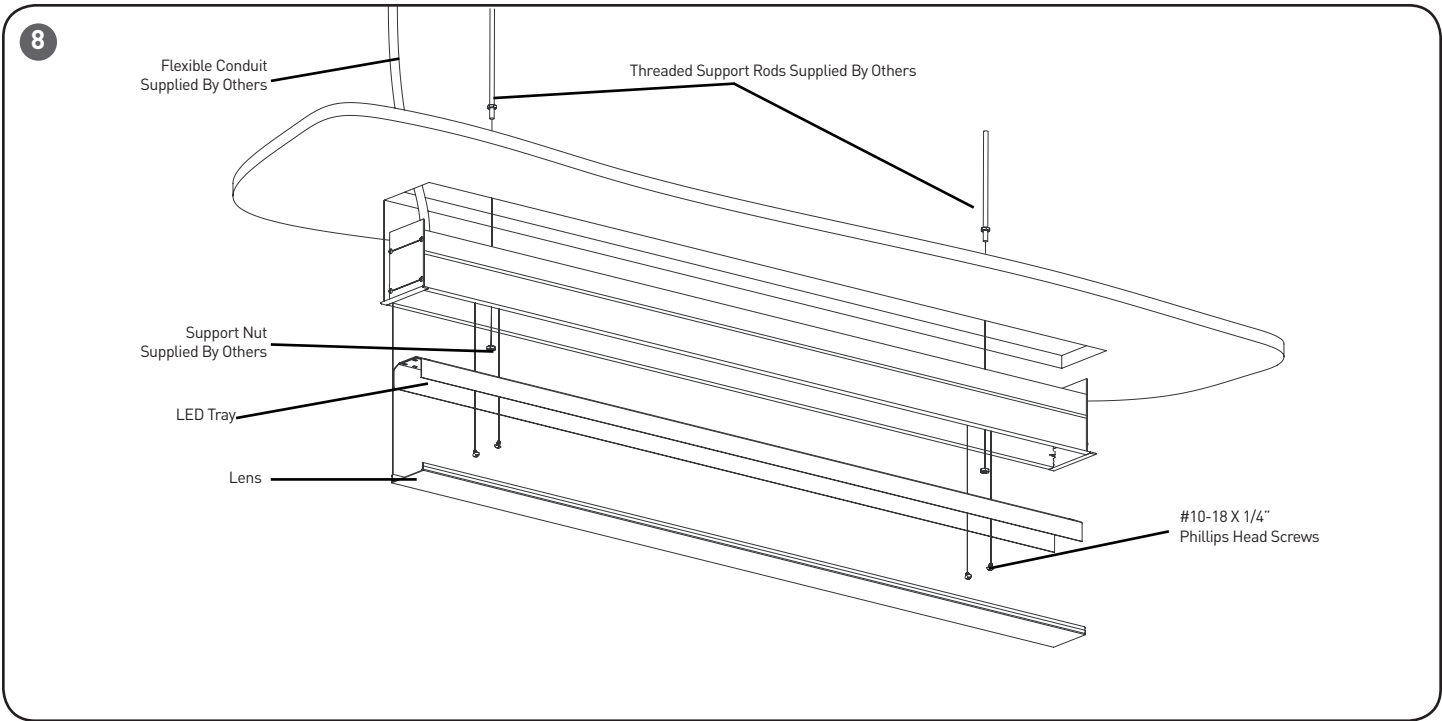
- CONSISTS OF:
- QTY 3 - RUNNER LUMINAIRES (4FT, 6FT, OR 8FT) - EACH WITH FEMALE AND MALE ENDS
  - QTY 1 - ENDCAP KIT - COMES WITH 2 ENDCAPS AND HARDWARE

Feet	Units			Continuous Row Length (lin) End Cap to End Cap	End Cap Kits	Trim Length for Endcaps (lin) (For On Grid Mounting ONLY)	Continuous Row Layout
	4'	6'	8'				
14		1	1	166.25	1	1	
16		2	2	190.13	1	1	
18	1	1	1	213.06	1	1.5	
20	1	2	2	237.06	1	1.5	
22		1	2	261.06	1	1.5	
24	1	3	3	285.00	1	1.5	
26	1	1	2	308.00	1	2.125	
28	1	3	3	332.00	1	2.125	
30		1	3	356.00	1	2.125	
32	1	4	4	380.00	1	2.125	
34	1	1	3	402.88	1	2.625	
36	1	4	4	426.88	1	2.625	
38	1	1	4	450.88	1	2.625	
40		5	5	474.88	1	2.625	
42	1	1	4	497.81	1	3.1875	
44	1	5	5	521.81	1	3.1875	
46		1	5	545.81	1	3.1875	
48		6	6	569.81	1	3.1875	
50	1	1	5	592.75	1	3.75	
52	1	6	6	616.75	1	3.75	
54		1	6	640.75	1	3.75	
56		7	7	664.75	1	3.75	
58	1	1	6	687.63	1	4.25	
60	1	7	7	711.63	1	4.25	
62		1	7	735.63	1	4.25	
64		8	8	759.63	1	4.25	
66	1	1	7	782.50	1	4.75	
68	1	8	8	806.50	1	4.75	
70		1	8	830.50	1	4.75	
72		9	9	854.50	1	4.75	

\*\*\*NOTE: Plugged holes provided for conduit entry are located 2" from both ends of each luminaire.

\*\*\*NOTE: Luminaires intended for Hard Off Grid Ceiling are to be installed with threaded rod to structure above 'by others' and should be installed accordance with these instructions. Plugged holes for threaded rod attachment are located 4" from both ends of each luminaire.





**SECTION 3:  
OFF GRID MOUNTING (HARD CEILING) -  
INDIVIDUAL RECESSED MOUNTING**

**CAUTION:** Ceiling contractor must provide an uninterrupted, continuous rough opening. Dimensions of opening should be determined using **Figure 3 on page 3 and Figure 9.**

**CAUTION:** Luminaires should be secured to structure above using customer supplied threaded rods to support weight of luminaire.

**STEP 1:**  
Remove lens and LED/reflector tray and set aside in order of run placement for reinstalling later. To remove lens, carefully slide a plastic card or putty knife between the lens and extrusion towards the end of the luminaire. Using the plastic card or putty knife, push the lens inward until the lens come free. After removing the lens, remove the Philips head reflector screws, remove the LED Reflector Tray, and disconnect the LED harness. Set lens and LED Reflector tray aside. See **Figure 2 and 8.**

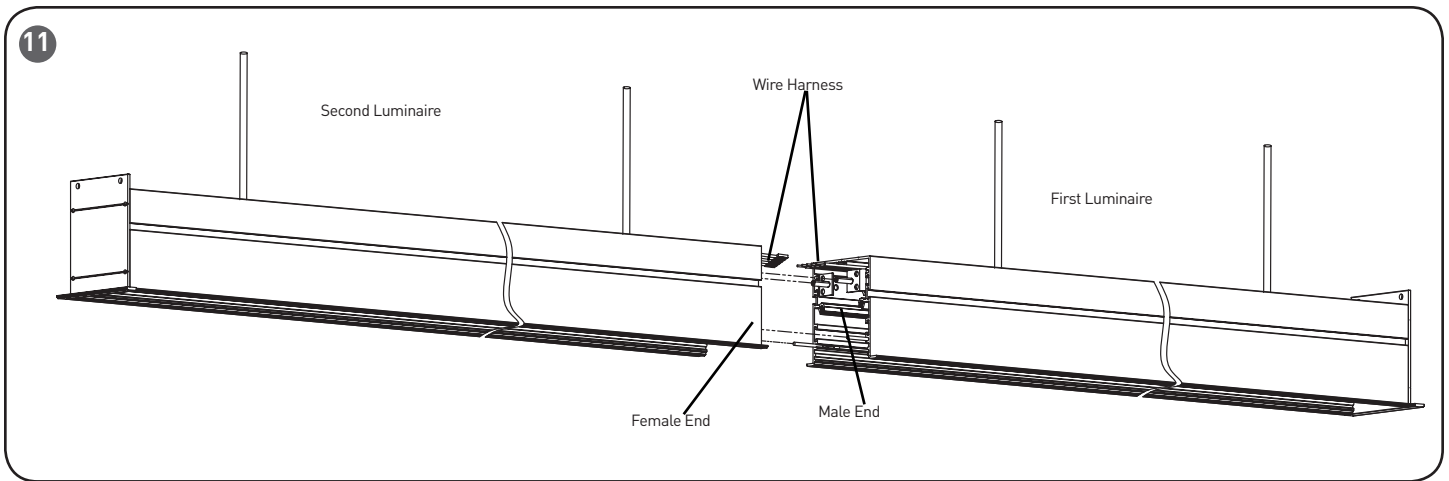
**STEP 2:**  
Using one of the 7/8" dia. holes on the end of the fixture, install conduit connector. See **Figure 8.**

**STEP 3:**  
Install fixture from below into ceiling opening. Attach customer supplied threaded rods to luminaire through 5/8" mounting holes located on the top of the housing and to the structure above as shown in **Figure 8.** Confirm that fixture is pulled up firm to ceiling line.

**STEP 4:**  
Make electrical connections per Section 5 "Electrical Connections" to leads in wiring compartment.

**STEP 5:**  
Reconnect LED harness. Replace LED trays and lens that was removed in Step 1 above, ensure that no wires are pinched.

**STEP 6:**  
For Hard Ceiling, Overlap Flange Only:  
Fill in Sheet Rock mud over tapered extruded flange until smooth. See **Figure 10.**



#### SECTION 4: OFF GRID MOUNTING (HARD CEILING) - CONTINUOUS ROW RECESSED MOUNTING

**CAUTION:** Ceiling contractor must provide an uninterrupted, continuous rough opening. Dimensions of opening should be determined using **Figure 7 on page 5 and Figure 9.**

**CAUTION:** Luminaires should be secured to structure above to support weight of luminaire.

**CAUTION:** Do not attempt to assemble luminaire rows on the ground and then lift into position. This may create stress at the connection points and may result in damage and/or mechanical failure.

**CAUTION:** Do not connect power in a run until all of run is installed, wire harnesses connected, and luminaire joints completed.

##### STEP 1:

Remove lens and LED/reflector tray and set aside in order of run placement for reinstalling later. To remove lens, carefully slide a plastic card or putty knife between the lens and extrusion towards the end of the luminaire. Using the plastic card or putty knife, push the lens inward until the lens come free. After removing the lens, remove the Philips head reflector screws, remove the LED Reflector Tray, and disconnect the LED harness. Set lens and LED Reflector tray aside. See **Figure 2 and 6.**

##### STEP 2:

Install the first luminaire (Right-Hand End of Run) from below into ceiling opening. Attach customer supplied threaded rods to luminaire through 5/8" mounting holes located on the top of the housing and to the structure above as shown in **Figure 7 and 8.** Confirm that fixture is pulled up firm to ceiling line.

##### STEP 3:

Position second luminaire in row such that it aligns with joint end (male end) of first luminaire. Attach customer supplied supports to fixture through mounting holes located on the top of the housing and to the structure above as shown in **Figure 11.** Confirm that fixture is pulled up firm to ceiling line. Connect the second luminaire to the first luminaire as illustrated in **Figure 5.** Plug wire harness together and push excess wire into luminaire wiring chamber, ensure that no wires are pinched. See **Figure 11.**

##### STEP 4:

Push luminaires tightly together while making sure the alignment pins slide into the interior tracks of each luminaire and span the luminaire joint. Secure joint by tightening supplied keps locknuts on threaded studs of male joiner bracket. Confirm that luminaires are secured to the structure above. See **Figure 11.**

##### STEP 5:

Continue to install and assemble row following steps 1-4 above. Using one of the 7/8" dia. holes on the End unit (Left-Hand End of Run) luminaire, install conduit connector and make electrical connections per Section 5 "Electrical Connections".

##### STEP 6:

Reconnect LED harness. Replace LED trays and lens that was removed in Step 1 above, ensure that no wires are pinched..

##### STEP 7:

Hard Ceiling, Overlap Flange Only:  
Fill in Sheet Rock mud over tapered extruded flange until smooth. See **Figure 10.**

## FCC NOTICE

**CAUTION:** Changes or modifications not expressly approved could void your authority to use this equipment.

This device complies with part 15 of the FCC Rules. Operation is subject to the following two conditions: (1) This device may not cause harmful interference, and (2) this device must accept any interference received, including interference that may cause undesired operation.

This equipment has been tested and found to comply with the limits for a Class A digital device, pursuant to part 15 of the FCC Rules. These limits are designed to provide reasonable protection against harmful interference when the equipment is operated in a commercial environment. This equipment generates, uses, and can radiate radio frequency energy and, if not installed and used in accordance with the instruction manual, may cause harmful interference to radio communications. Operation of this equipment in a residential area is likely to cause harmful interference in which case the user will be required to correct the interference at his own expense.

CAN ICES-005 (A)/NMB-005 (A)

### SECTION 5: ELECTRICAL CONNECTIONS

#### STEP 1:

For **120/277/347V** applications make the following Electrical Connections:

- Connect the black luminaire lead to the supply lead.
- Connect the white luminaire lead to the neutral supply lead.
- Connect the green or green/yellow ground lead to the green supply lead.

For **208/240V** applications, make the following Electrical Connections:

- Connect Hot 1 supply lead to the black lead.
- Connect Hot 2 supply lead to the white lead
- Connect the green or green/yellow ground lead to the supply ground lead.

#### STEP 2:

- If Dimming is an option; connect the violet dimming positive lead to the supply dimming positive lead. If dimming is not being used, ensure to cap off the violet lead.
- If Dimming is an option; connect the grey dimming negative lead to the supply dimming negative lead. If dimming is not being used, ensure to cap off the grey lead.

