

C-FL-A-RDN/RDM/RDW-3L/4L Series

LED Bullet Flood Light - Small

Replaces 100W PSMH



SLEEK, ENERGY-EFFICIENT DESIGN IN A SMALLER PACKAGE!



Wide



Narrow/Medium

PRODUCT SPECIFICATIONS

OVERVIEW

- Initial Delivered Lumens: 3100 - 3800 Lumens
- CRI: ≥ 70
- CCT: Neutral White (4000K), Cool White (5000K)
- Input Power: 27 Watts or 35 Watts
- Dimmable: No
- Distribution: 28° Beam Spread, 43° Beam Spread, 93° Beam Spread
- Operating Minimum: -40°F (-40°C)
- Lifespan: Estimated >100,000 Hours
- Power Factor: > 0.9
- Total Harmonic Distortion: < 20%
- Limited Warranty: 5 Years*
- Replaces 100W PSMH

VERSATILE	RECOMMENDED USE	INPUT VOLTAGE
<ul style="list-style-type: none"> • Narrow (28°), Medium (43°) and Wide (93°) distribution patterns for a variety of applications 	<ul style="list-style-type: none"> • Building facades • Security • Architectural Landscaping • Highlighting Signs & Displays • Flagpole Illumination 	<ul style="list-style-type: none"> • Universal (120V through 277V Operation)

ORDERING INFORMATION

Example: C-FL-A-RDM-3L-40K-DB

PRODUCT	STYLE	LUMEN PACKAGE	CCT	COLOR
C-FL-A				DB
C-FL-A	RDN Directional Narrow, 28° Beam Spread RDM Directional Medium, 43° Beam Spread RDW Directional Wide, 93° Beam Spread	3L 3100 Lumens, RDW, 40K, 35W 3300 Lumens, RDW, 50K, 35W 3500 Lumens, RDM, 40K, 35W 4L 3800 Lumens, RDM, 50K, 35W	40K Neutral White (4000K) 50K Cool White (5000K)	DB Dark Bronze

CERTIFICATIONS

US - c-lite.com T (800) 236-6800

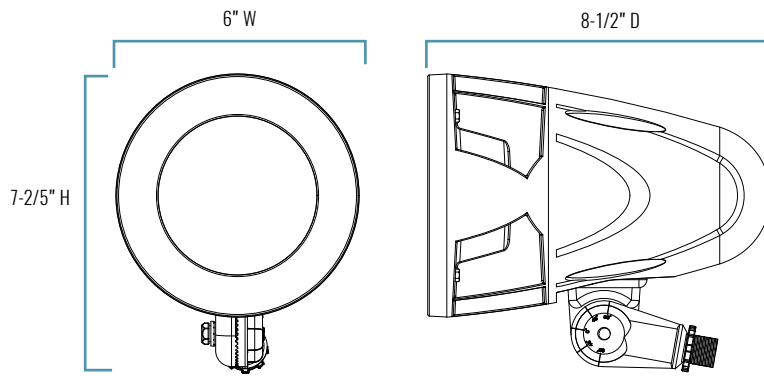
Canada - creelighting-canada.com T (800) 473-1234

Rev. Date: V3 R2 05/08/2020

For informational purposes only. Content is subject to change. *See creelighting.com/warranty for details



C-FL-A-RDN/RDW/RDM -3L/4L Series



SERIES OVERVIEW

DIMENSIONS	PRODUCT WEIGHT	MOUNTING HEIGHT	SPACING
8-1/2" D x 6" W x 7-2/5" H* *Height dimension includes 1/2-inch fitter	4.45 lbs.	N/A	N/A

FIXTURE SPECIFICATIONS

HOUSING	Low-copper, die-cast aluminum housing and lens frame Dark bronze polyester powder-coat finish
LENS ASSEMBLY	Tempered glass lens is thermal, shock and impact resistant
MOUNTING	1/2-inch NPS aluminum die-cast swivel fitter attaches to standard junction box

ELECTRICAL PERFORMANCE

OPERATING MINIMUM	LIFESPAN L ₇₀ AT 25°C (77°F)	POWER FACTOR	TOTAL HARMONIC DISTORTION	DIMMABLE
-40°F (-40°C)	Estimated >100,000 Hours	> 0.9	< 20%	No

INPUT VOLTAGE CURRENT DRAW (Amps)	120V	208V	240V	277V
Medium Flood	0.29A	0.17A	0.15A	0.13A
Wide Flood				
Narrow Flood	0.23A	0.13A	0.11A	0.10A

WARRANTY AND CERTIFICATIONS

WARRANTY	cULus LISTED	DLC
5 Year Limited*	Wet Locations	Standard

CA RESIDENTS WARNING: Cancer and Reproductive Harm –
www.p65warnings.ca.gov

© 2020 Cree Lighting, A company of IDEAL INDUSTRIES. All rights reserved. For informational purposes only. Content is subject to change. Patent www.cree.com/patents. C-LITE™ is a trademark of IDEAL INDUSTRIES Lighting, LLC. The C-LITE LED Lighting by Cree logo and the Cree LEDs logo are trademarks of Cree, Inc. The UL logo is a registered trademark of UL LLC. The DLC QPL logo and the DLC QPL Premium logo are registered trademarks of Northeast Efficiency Partnerships, Inc.

US- c-lite.com T (800) 236-6800

Canada- creelighting-canada.com T (800) 473-1234

Rev. Date: V3 R2 05/08/2020

For informational purposes only. Content is subject to change. *See creelighting.com/warranty for details

C-LITE
LED LIGHTING BY CREE