

C-AR-A-SQT3 Series

LED Shoebox-Style Area Light - Type III
Replaces 320W PSMH/400W MH



REPLACE 320W PSMH/400W MH WITH TYPE III OPTIC

A one-for-one replacement for traditional shoebox-style area lights! Wire to a new or existing pole for an instant application upgrade, all while consuming over 65% less power than 320W PSMH/400W MH



PRODUCT SPECIFICATIONS

OVERVIEW

- Initial Delivered Lumens: 16,100 or 17,100
- CRI: ≥ 70
- CCT: Cool White 5000K, Neutral White (4000K)
- Mounting: 6" Mounting Arm, 2" Slip Fitter, Adjustable U-bracket
- Input Power: 119 Watts
- Dimmable: No
- Operating Minimum: -40°C (-40°F)
- Lifespan: Estimated $>127,000$ Hours
- Power Factor: > 0.9
- Total Harmonic Distortion: $< 20\%$
- Limited Warranty: 5-Years*
- Replaces 320W PSMH/400W MH

TYPE III DISTRIBUTION	RECOMMENDED USE	INPUT VOLTAGE
<ul style="list-style-type: none"> • Lateral light distribution • Optimized optics for increased light control and reduced hot spots 	<ul style="list-style-type: none"> • General Area Lighting • Parking Lots & Walkways • Perimeter Lighting 	<ul style="list-style-type: none"> • Universal (120V through 277V Operation)

ORDERING INFORMATION

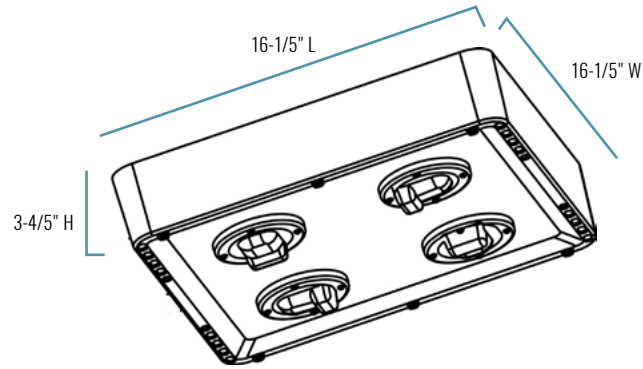
Example: C-AR-A-SQT3-17L-50K-DB

C-AR-A	SQT3			DB
PRODUCT	TYPE	LUMEN PACKAGE	CCT	COLOR
C-AR-A	SQT3 Shoe-Box Style, Type III	16L 16,100 Lumens (40K) 119W	40K Neutral White (4000K)	DB Dark Bronze
		17L 17,100 Lumens (50K) 119W	50K Cool White (5000K)	

CERTIFICATIONS:



C-AR-A-SQT3 Series



SERIES OVERVIEW

DIMENSIONS	PRODUCT WEIGHT	MOUNTING HEIGHT	SPACING
16-1/5" L x 16-1/5" W x 3-4/5" H	17.6 lbs.	15 to 25 feet	1 to 2 times the mounting height

FIXTURE SPECIFICATIONS

HOUSING	Duraurable, die-cast aluminum housing with heat dissipating fins Dark bronze polyester powder-coat finish
LENS ASSEMBLY	Optimized Type III optics
MOUNTING	Not for use in uplight applications For optimum fixture performance, no tilt Can be tilted 0°-10° if desired Mounting sold separately and options available on page 3

ELECTRICAL PERFORMANCE

OPERATING MINIMUM	LIFESPAN L ₇₀ AT 25°C (77°F)	POWER FACTOR	TOTAL HARMONIC DISTORTION	DIMMABLE
-40°C (-40°F)	Estimated >127,000 Hours	> 0.9	< 20%	No
INPUT VOLTAGE	120V	208V	240V	277V
CURRENT DRAW (Amps)	1.1A	0.63A	0.55A	0.47A

WARRANTY AND CERTIFICATIONS

WARRANTY	UL LISTED	DLC
5 Year Limited*	Wet Locations (0°-10° Tilt Only)	DLC Premium Qualified

CA RESIDENTS WARNING: Cancer and Reproductive Harm –
www.p65warnings.ca.gov

US: c-lite.com T (800) 236-6800 F (262) 504-5415

Canada: www.cree.com/canada T (800) 473-1234 F (800) 890-7507


Rev. Date: V3 10/11/2018

For informational purposes only. Content is subject to change. *See lighting.cree.com/warranty for details




C-LITE
LED LIGHTING BY CREE

C-AR-A-SQT3 Series

ACCESSORIES

	PHOTOCELL - BUTTON, 120V/208V/240V/277V
	SKU: C-ACC-A-PCCELL-LV (120V) C-ACC-A-PCCELL-HV-TL (208V/240V/277V) USE: Photocell is field installed. For use with 2" adjustable slip fitter only

MOUNTING OPTIONS

	6" MOUNTING ARM
	SKU: C-ACC-A-SBMTARM-6IN-DB USE: For pole mounting. For use only with C-AR-A-SQT Series
	2" SLIP FITTER
	SKU: C-ACC-A-MTSL-2IN USE: For pole mounting. Fits over 2-3/8" O.D. pipe
	ADJUSTABLE U-BRACKET
	SKU: C-ACC-A-AUB-DB USE: For pole mounting. For use only with C-AR-A-SQT Series

© 2018 Cree, Inc. and/or one of its subsidiaries. All rights reserved. For informational purposes only. Content is subject to change. Patent www.cree.com/patents. The CREE LEDs logo, C-LITE™ and the C-LITE logo are trademarks of Cree, Inc. The UL logo is a registered trademark of UL LLC. The DLC QPL Premium logo is a trademark of Efficiency Forward, Inc.

US: c-lite.com T (800) 236-6800 F (262) 504-5415

Canada: www.cree.com/canada T (800) 473-1234 F (800) 890-7507

Rev. Date: V3 10/11/2018

For informational purposes only. Content is subject to change. *See lighting.cree.com/warranty for details

C-LITE
LED LIGHTING BY CREE