

BR40 Series

Cree Professional Series LED Lamps

PRO
SERIES

Product Description

At Cree®, we believe in better lighting. Better light is beautiful light. But it's more than just beautiful. It is light that makes you feel more productive, more relaxed and safer. Better light changes everything. That's why the new and improved 90+ CRI Cree Professional Series LED bulbs feature high color rendering that enhances your space and makes the colors of your decor appear vibrant, richer and more natural – true colors the way they are meant to be experienced.

The Cree® Professional Series LED BR40 bulbs deliver up to 1,750 lumens of 2700K, 3000K, or 5000K light while consuming at least 84% less energy than the incandescent bulbs they replace. Dimmable with most standard dimmers, Cree Professional Series LED BR40 flood lights shine wide and bright, while using at least 85% less energy and are designed to deliver up to 25,000 hours of light for your home or business. The perfect replacement for incandescent bulbs in track and recessed fixtures at a price you can afford, Cree LED bulbs pay for themselves quickly and then pay you year after year.

Performance Summary

Lamp Delivered Light Output: 1,750 lumens

Input Power: 120W Replacement: 23 watts

CRI: >90

CCT: 2700K, 3000K, 5000K

Limited Warranty†: 5 years Commercial use

Lifetime: Designed to last at least 25,000 hours

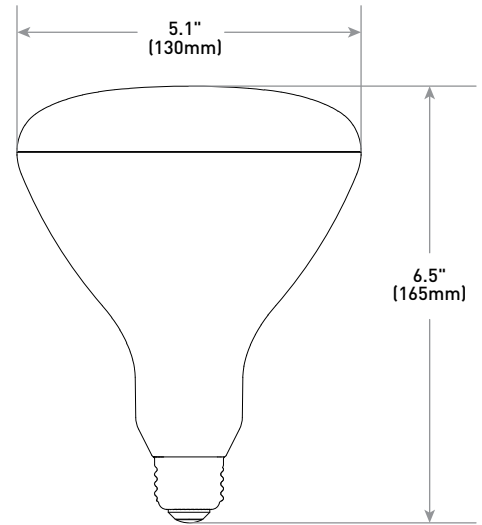
Dimming: Dimmable to 5% with select dimmers

ENERGY STAR® Certified, CEC California Title 20 Compliant

Lamps suitable for Enclosed Fixtures

Can be ordered in Single Lamp Cartons (Master Carton Quantity = 12)

†See <http://lighting.cree.com/warranty> for warranty terms



Ordering Information

Example: BR40-120W-P1-27K-E26-U1

BR40		P1			E26		U1
Product	Watt Equivalent	Series	CCT	Voltage	Base	CRI	Packaging Options
BR40	120W 120 Watt, 1,750 lumens	P1 Professional Series 1 st Generation	27K 2700K 30K 3000K 50K 5000K	Blank 120 Volt	E26 E26 (Edison base)	Blank >90	U1 Single-Lamp Carton Master Carton = 12 Single-Lamp Cartons

Rev. Date: V1 10/04/2018



US: lighting.cree.com



mercury-free



T (800) 236-6800 F (262) 504-5415

Canada: www.cree.com/canada



T (800) 473-1234 F (800) 890-7507

BR40 Pro Series LED Lamps

Product Specifications

CONSTRUCTION & MATERIALS

- BR40 reflector bulb design weighs 11.7 ounces (331g)
- Reflector bulb meets ANSI standards for BR40 dimensions
- Uses a standard E26 screw base
- Mercury free
- **Dimensions:** 6.7" H x 5.3" W x 5.3" D (Single Lamp Carton); 7.4" H x 11.3" W x 32.4" D (Master Carton)

OPTICAL SYSTEM

- Plastic lens offers increased optical spread

ELECTRICAL SYSTEM

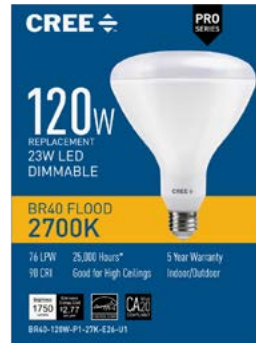
- **Power Factor:** > 0.9 nominal
- **Input Voltage:** 120V, 60Hz
- **Dimming:** Dimmable to 5% with select dimmers. Visit lighting.cree.com/dimming
- **Operating Temperature Range:** -25°C - +45°C (-13°F - +113°F)

REGULATORY & VOLUNTARY QUALIFICATIONS

- cULus Listed
- Suitable for damp locations, but not for use where exposed directly to weather or water
- Suitable for use in enclosed light fixtures. Lifetime may be reduced if used in air tight enclosures or in insulated ceiling air tight (ICAT) recessed downlight enclosures
- Meets FCC Part 15, Subpart B, Class B standards for conducted and radiated emissions
- ENERGY STAR® certified. Please refer to <http://www.energystar.gov/productfinder/product/certified-light-bulbs/> results for most current information
BR40-120W-P1-27K-E26-U1
BR40-120W-P1-30K-E26-U1
BR40-120W-P1-40K-E26-U1
- RoHS compliant. Consult factory for additional details
- CEC California Title 20 JA-8 Certified
- **CA RESIDENTS WARNING:** Cancer and Reproductive Harm – www.p65warnings.ca.gov

Packaging

Master Carton = 12 Single Lamp Cartons



Ordering Number	Single-Lamp Carton UPC	Description	Bulb Type	Watts	CCT	Single-Lamp Cartons per Master Carton	Master Carton ITF-14	Total Lamps per Master Carton	Master Cartons per Pallet Qty	CRI	Lumens	Rated Life (Hrs)
BR40-120W-P1-27K-E26-U1	849665023289	12W Soft White BR40 Equivalent	BR40	23	2700K	12	10849665023286	12	24	>90	1,750	25,000
BR40-120W-P1-30K-E26-U1	849665023296	120W Bright White BR40 Equivalent	BR40	23	3000K	12	10849665023293	12	24	>90	1,750	25,000
BR40-120W-P1-50 K-E26-U1	849665023302	120W Daylight BR40 Equivalent	BR40	23	5000K	12	10849665023309	12	24	>90	1,750	25,000