

C-FL-A-RDM/RDW-7L/8L Series

LED Bullet Flood Light - Large

Replaces 250W MH



SLEEK, ENERGY-EFFICIENT DESIGN.



Wide



Medium

PRODUCT SPECIFICATIONS

OVERVIEW

- Initial Delivered Lumens: 6900 - 7800 Lumens
- CRI: ≥ 70
- CCT: Neutral White (4000K), Cool White (5000K)
- Input Power: 72 Watts
- Dimmable: No
- Distribution: 50° Beam Spread, 100° Beam Spread
- Operating Minimum: 40°C (-40°F)
- Lifespan: Estimated >100,000 Hours
- Power Factor: > 0.9
- Total Harmonic Distortion: < 20%
- Limited Warranty: 5 Years*
- Replaces 250W MH

| EFFICIENT | VERSATILE | RECOMMENDED USE | | INPUT VOLTAGE |
|---|--|---|--|---|
| <ul style="list-style-type: none"> • Uses 75% less energy than 250W MH | <ul style="list-style-type: none"> • Medium (50°) and Wide (100°) distribution patterns for a variety of applications | <ul style="list-style-type: none"> • Building facades • Security • Architectural Landscaping | <ul style="list-style-type: none"> • Highlighting Signs & Displays • Flagpole Illumination | <ul style="list-style-type: none"> • Universal (120V through 277V Operation) |

ORDERING INFORMATION

Example: C-FL-A-RDW-7L-40K-DB

| PRODUCT | STYLE | LUMEN PACKAGE | CCT | COLOR |
|---------|---|---|---|--------------------------|
| C-FL-A | | | | DB |
| C-FL-A | RDW Directional Wide, 100° Beam Spread | 7L 6900 Lumens, 40K, 72W 7000 Lumens, 50K, 72W | 40K Neutral White (4000K) 50K Cool White (5000K) | DB Dark Bronze |
| | RDM Directional Medium, 50° Beam Spread | 8L 7800 Lumens, 40K, 72W 7800 Lumens, 50K, 72W | | |

CERTIFICATIONS:

US: c-lite.com T (800) 236-6800

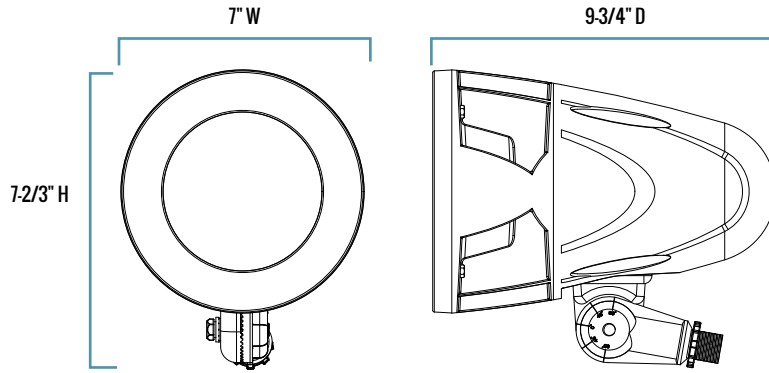
Canada: creelighting-canada.com T (800) 473-1234

Rev. Date: V1R2 05/08/2020

For informational purposes only. Content is subject to change. *See creelighting.com/warranty for



C-FL-A-RDW/RDM -7L/8L Series



SERIES OVERVIEW

| DIMENSIONS | PRODUCT WEIGHT | MOUNTING HEIGHT | SPACING |
|---|----------------|-----------------|---------|
| 9-3/4' D x 7' W x 7-2/3' H* *Height dimension includes 1/2-inch fitter | 7.4 lbs. | N/A | N/A |

FIXTURE SPECIFICATIONS

| | |
|----------------------|--|
| HOUSING | Low-copper, die-cast aluminum housing and lens frame Dark bronze polyester powder-coat finish |
| LENS ASSEMBLY | Tempered glass lens is thermal, shock and impact resistant |
| MOUNTING | 1/2' NPS aluminum die-cast swivel fitter attaches to standard junction box |

ELECTRICAL PERFORMANCE

| OPERATING MINIMUM | LIFESPAN L ₇₀ AT 25°C (77°F) | POWER FACTOR | TOTAL HARMONIC DISTORTION | DIMMABLE |
|----------------------------|--|--------------|------------------------------|-------------|
| -40°C (-40°F) | Estimated >100,000 Hours | > 0.9 | < 20% | No |
| INPUT VOLTAGE | 120V | 208V | 240V | 277V |
| CURRENT DRAW (Amps) | 0.60A | 0.34A | 0.30A | 0.26A |

WARRANTY AND CERTIFICATIONS

| WARRANTY | cULus LISTED |
|-----------------|---------------|
| 5 Year Limited* | Wet Locations |

CA RESIDENTS WARNING: Cancer and Reproductive Harm -
www.p65warnings.ca.gov

© 2020 Cree Lighting, A company of IDEAL INDUSTRIES. All rights reserved. For informational purposes only. Content is subject to change. Patent www.cree.com/patents. C-LITE™ is a trademark of IDEAL INDUSTRIES Lighting, LLC. The C-LITE LED Lighting by Cree logo and the Cree LEDs logo are trademarks of Cree, Inc. The UL logo is a registered trademark of UL LLC. The DLC QPL logo is a registered trademark of Efficiency Forward, Inc.

US: c-lite.com T (800) 236-6800

Canada: creelightingcanada.com T (800) 473-1234

Rev. Date: V1 R2 05/08/2020

For informational purposes only. Content is subject to change. *See creelighting.com/warranty for

C-LITE
LED LIGHTING BY CREE