

IMPORTANT SAFEGUARDS

When using electrical equipment, basic safety precautions should always be followed including the following:

READ AND FOLLOW ALL SAFETY INSTRUCTIONS

- 1. DANGER-** Risk of shock- Disconnect power before installation.
DANGER – Risque de choc – Couper l'alimentation avant l'installation.
- This luminaire must be installed in accordance with the NEC or your local electrical code. If you are not familiar with these codes and requirements, consult a qualified electrician.
Ce produit doit être installé conformément à NEC ou votre code électrique local. Si vous n'êtes pas familier avec ces codes et ces exigences, veuillez contacter un électricien qualifié.

SAVE THESE INSTRUCTIONS FOR FUTURE REFERENCE

NOTES:

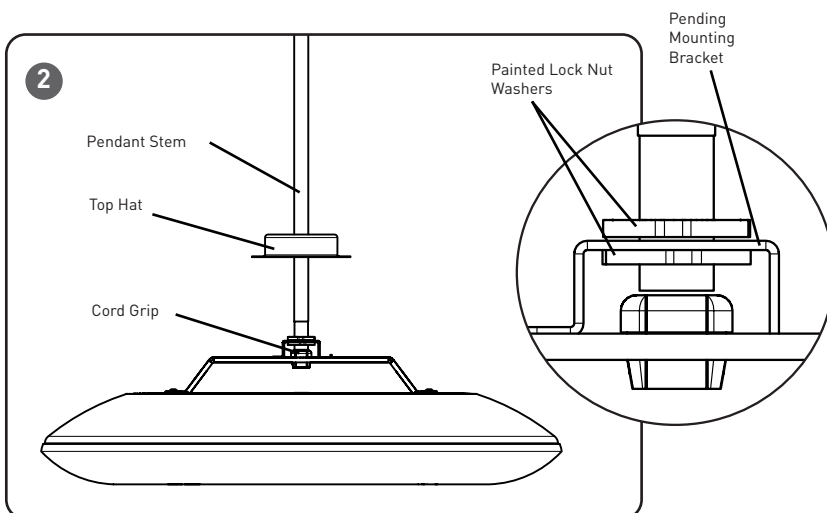
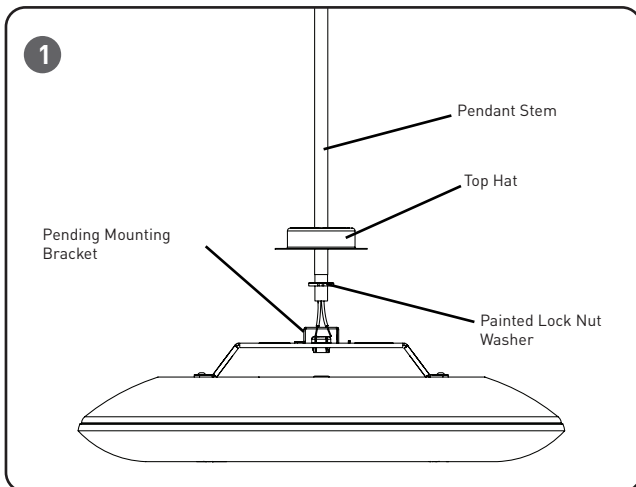
The LED Luminaire and the Pendant Mounting Kit are packaged separately. Note that the pendant kit contains the following parts:

(2) – Painted Lock-Nut Washer
(1) – Pendant Stem

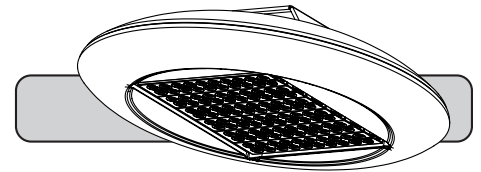
(1) – Canopy
(1) – Lock-Nut Washer

(1) – Offset Bracket
(2) – Mounting Screws
(1) – Collar

TO INSTALL:



INSTALLATION INSTRUCTIONS INSTRUCTIONS D'INSTALLATION



PENDANT MOUNTING INSTRUCTION

STEP 1:

Attach the Top Hat and (1) Painted Lock Nut Washer through the bottom of the Pendant Stem. See **Figure 1**.

STEP 2:

Feed the Pendant Stem and leads through the Pending Mounting Bracket. Feed the second Painted Lock Nut Washer through the leads onto the Pendant Stem. See **Figure 2**.

STEP 3:

To secure Pendant Stem to the Pending Mounting Bracket, hold the Painted Lock-Nut Washer (from Step 2) in place under the Pending Mounting Bracket and tightening stem until secure. See **Figure 2**.

STEP 4:

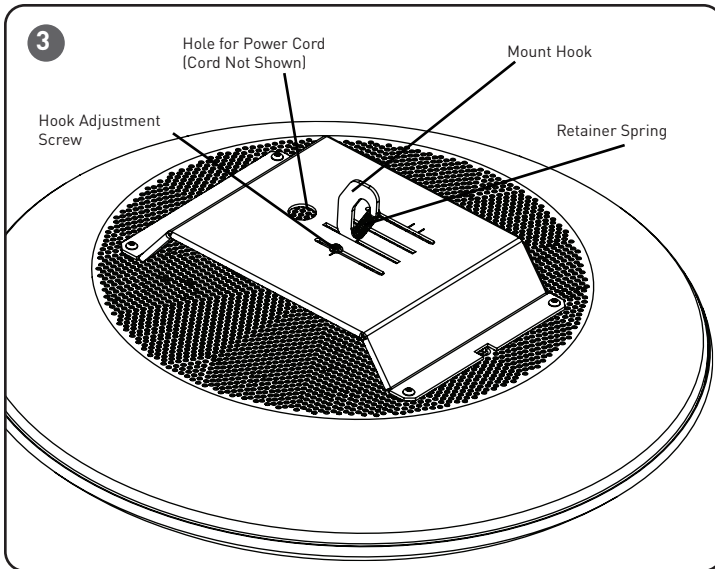
Make supply connections between leads coming from the cord grip and leads from the pendant stem using supplied wire connectors per **"Electrical Connections"** section.

STEP 5:

To attach Top Hat to luminaire slide it down the Pendant Stem and over the connected leads, making sure not to pinch any leads. Secure it down using (2) supplied screws.

STEP 6:

Install luminaire and pendant to mounting surface referencing the Pendant Mounting Kit installation sheet.



HOOK AND CORD MOUNTING INSTRUCTION

STEP 1:

Push down on retainer spring until top of spring is free of luminaire hook.

STEP 2:

Slide hook into securely mounted eye hanger and return retainer spring to original position.

NOTE: The luminaire should already be factory set for correct balance. However, should you need to, the luminaire may be balanced by loosening the hook adjustment set screw (**Figure 3**) on the top of the housing and sliding the hook as necessary for correct balance. Tighten hook set screw when finished.

STEP 3:

Strain relief is required for electrical connections. Install a suitable Listed cord strain relief bushing in the junction box and feed the luminaire's supply cord through it or tie an overhand knot in the cord in the junction box.

STEP 4:

Make supply connections per "**Electrical Connections**" section.

ELECTRICAL CONNECTIONS

Make the following Electrical Connections:

- a. Connect supply ground wire to ground wire from Luminaire Canopy and the ground wire from the Luminaire Cord using supplied wire nut.
- b. Connect supply line conductor to black wire from Luminaire Cord using supplied wire nut.
- c. Connect supply neutral conductor to white wire from Luminaire Cord using supplied wire nut.

