

C-TR-A-FP22 Series

LED Flat Panel - 2' x 2'

Replaces 2 x F32T8/U6

C-LITE
LED LIGHTING BY CREE

LOW PROFILE DESIGN, EASY INSTALLATION, FULLY BACKED BY CREE

Reliable, versatile and stylish – that's C-Lite LED Flat Panels. C-Lite LED Flat Panels deliver brighter light and bigger savings, and are fully tested and backed by Cree!



PRODUCT SPECIFICATIONS

OVERVIEW

- Initial Delivered Lumens: 4,000
- CRI: 80
- CCT: Warm White 3500K, Neutral White 4000K
- Mounting: Recessed
- Input Power: 40 Watts
- Dimmable: Yes
- Operating Range: -20°C (-4°F) - 40°C (104°)
- Lifespan: Estimated >100,000 Hours
- Power Factor: > 0.9
- Total Harmonic Distortion: < 20%
- Limited Warranty: 5-Years*
- Replaces 2 x F32T8/U6

FEATURES	BENEFITS	RECOMMENDED USE
<ul style="list-style-type: none">• Pre-installed driver• White powder coated aluminum frame• Opaque white acrylic lens	<ul style="list-style-type: none">• IC Rated for direct contact with insulation• Fits in low-clearance drop ceilings• Fully tested and backed by Cree	<ul style="list-style-type: none">• Offices• Educational & Retail• Commercial & Institutional

ORDERING INFORMATION

Example: C-TR-A-FP22-40L-35K-WH

C-TR	A	FP22	40L		WH
PRODUCT	SERIES	STYLE	LUMEN PACKAGE	CCT	COLOR
C-TR	A	FP22 Flat Panel 2' x 2'	40L 4,000 Lumens 40W	35K Warm White (3500K) 40K Neutral White (4000K)	WH White

CERTIFICATIONS:

US: www.c-lite.com

T (800) 236-6800 F (262) 504-5415

Canada: www.cree.com/canada

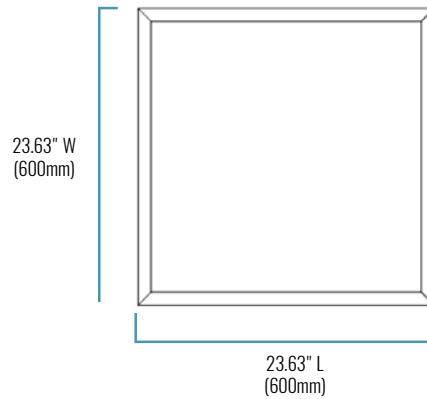
T (800) 473-1234 F (800) 890-7507

Rev. Date: V5 R1 02/11/2019

For informational purposes only. Content is subject to change. *See lighting.cree.com/warranty for details



C-TR-A-FP22 Series



SERIES OVERVIEW

DIMENSIONS	PRODUCT WEIGHT	MOUNTING HEIGHT	SPACING
23.63" (600mm) L x 23.63" (600mm) W x 0.5" (13mm) H (Panel) 23.63" (600mm) L x 23.63" (600mm) W x 1.75" (44mm) H (w/Driver)	7.6 lbs.	8 to 12 feet	8' x 8' – 10' x 10'

FIXTURE SPECIFICATIONS

HOUSING	Durable aluminum construction White polyester powder-coat Sealed, maintenance-free fixture design
LENS ASSEMBLY	Precision engineered acrylic lens and polymethyl methacrylate (PMMA) diffuser prevents hot spots, shadows and glare, while providing uniform illumination
MOUNTING	Recessed Installs into conventional grid ceiling Pre-installed driver Requires minimum 90°C supply conductors

ELECTRICAL PERFORMANCE

OPERATING RANGE	LIFESPAN L ₇₀ AT 25°C (77°F)	POWER FACTOR	TOTAL HARMONIC DISTORTION	DIMMABLE
-20°C (-4°F) - 40°C (104°F)	Estimated >100,000 Hours	> 0.9	< 20%	0-10V
INPUT VOLTAGE	120V	208V	240V	277V
CURRENT DRAW (Amps)	0.33A	0.19A	0.17A	0.14A


WARRANTY & CERTIFICATIONS

WARRANTY	ETL LISTED	DLC
5-Year Limited*	Damp Locations	DLC Qualified Please refer to www.designlights.org/QPL for most current information

CA RESIDENTS WARNING: Cancer and Reproductive Harm –
www.p65warnings.ca.gov

C-TR-A-FP22 Series

ACCESSORIES

	DRYWALL GRID ADAPTER
	SKU: DGA22-WHT (single-pack) DGA22-WHT-10PK (10-pack) USE: For use when mounting in drywall ceilings
	SUSPENSION KIT
	SKU: FPAC-45-1 USE: Suspension Kit with canopy kit and cables Only for use with the Drywall Grid Adaptor Kit

© 2019 Cree, Inc. and/or one of its subsidiaries. All rights reserved. For informational purposes only. Content is subject to change. Patent www.cree.com/patents. C-LITE™ and C-LITE LED Lighting by Cree logo are trademarks of Cree, Inc. The ETL Listed Intertek logo is a trademark of Intertek Testing Services NA, Inc. The DLC QPL logo is a registered trademark of Efficiency Forward, Inc.

US: www.c-lite.com T (800) 236-6800 F (262) 504-5415 Canada: www.cree.com/canada T (800) 473-1234 F (800) 890-7507
Rev. Date: V5 R1 02/11/2019 For informational purposes only. Content is subject to change. *See lighting.cree.com/warranty for details

C-LITE
LED LIGHTING BY CREE