

RR6

6" Retrofit Housing

Rev. Date: V4 07/06/2020

Product Description

The RR6 recessed housing is designed to accommodate Cree Lighting six-inch downlights in retrofit applications. It is rated for use with luminaires that consume low energy, such as the CR6T and LR6X™ downlights, optimizing energy density calculations for easier energy code compliance and LEED certification.

Product Specifications

CONSTRUCTION & MATERIALS

- Recessed retrofit housing accommodates Cree Lighting six-inch LED downlights in ceiling thickness from 0.25" to 1.25"
- Suitable for non-insulated ceilings only

REGULATORY & VOLUNTARY QUALIFICATIONS

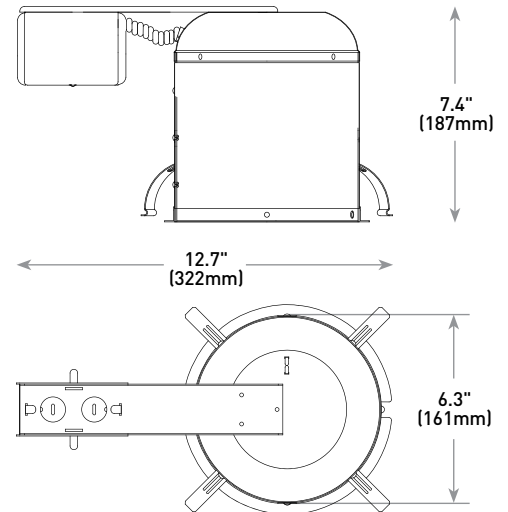
- cULus Listed
- Suitable for damp locations
- **Limited Warranty*:** 1 year on accessories
* See <http://creelighting.com/warranty> for warranty terms
- **CA RESIDENTS WARNING:** Cancer and Reproductive Harm –
www.p65warnings.ca.gov

Ordering Information

Example: RR6

Product		
Edison (E26) Base, 120V RR6 - Compatible downlights: CR6, CR6T, LR6, and LR6X w/ E26 base	GU24 Base, 120V RR6-GU24 - Compatible downlights: CR6, CR6T, LR6, and LR6X w/ GU24 base	277V Connector Base RR6-277V - Compatible downlight: LR6 and LR6X Series w/ 277V connector base

RR6



© 2020 Cree Lighting, A company of IDEAL INDUSTRIES. All rights reserved. For informational purposes only. Content is subject to change. Patent www.creelighting.com/patents. Cree® and the Cree logo are registered trademarks of Cree, Inc. LR6X™ is a trademark of Cree Lighting, A company of IDEAL INDUSTRIES. The UL logo is a registered trademark of UL LLC.

US: creelighting.com (800) 236-6800

Canada: creelighting-canada.com (800) 473-1234

CREE  **LIGHTING**

A COMPANY OF IDEAL INDUSTRIES, INC.