

C-FL-A-RDC Series

Premium LED Directional Floodlight - Small

Replaces 50W Halogen

C-LITE
LED LIGHTING



PRODUCT SPECIFICATIONS

OVERVIEW

- Initial Delivered Lumens: 700
- CRI: ≥ 70
- CCT: Neutral White 4000K
- Input Power: 9 Watts
- Dimmable: No
- Distribution: 110° Flood (Wide)
- Operating Minimum: -30°C (-22°F)
- Lifespan: Estimated 50,000 Hours
- Power Factor: > 0.9
- Total Harmonic Distortion: $< 20\%$
- Limited Warranty: 5 Years*
- Replaces 50W Halogen

RECOMMENDED USE	INPUT VOLTAGE
<ul style="list-style-type: none">• Building facades• Security• Architectural Landscaping• Highlighting Signs & Displays	<ul style="list-style-type: none">• Universal (120V through 277V Operation)

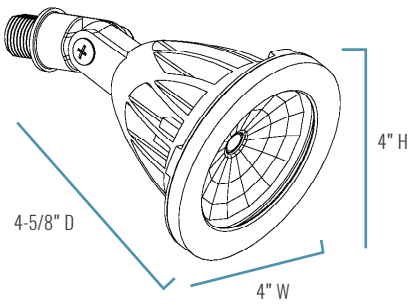
ORDERING INFORMATION

Example: C-FL-A-RDC-3L-40K-BK

C-FL-A	RDC	1L	40K	
PRODUCT	STYLE	LUMEN PACKAGE	CCT	COLOR
C-FL-A	RDC Directional Flood	1L 700 Lumens 9W	40K Neutral White (4000K)	BK Black WH White

CERTIFICATIONS

C-FL-A-RDC Series



SERIES OVERVIEW

DIMENSIONS	PRODUCT WEIGHT	MOUNTING HEIGHT	SPACING
4-5/8" D x 4" W x 4" H	0.8 lbs.	N/A	N/A

FIXTURE SPECIFICATIONS

HOUSING	Low-copper, die-cast aluminum housing and lens frame Available in textured black or smooth white polyester powder-coat finish
LENS ASSEMBLY	Tempered glass lens is thermal, shock and impact resistant
MOUNTING	1/2' NPS aluminum die-cast swivel fitter attaches to standard junction box

ELECTRICAL PERFORMANCE

OPERATING MINIMUM	LIFESPAN L ₇₀ AT 25°C (77°F)	POWER FACTOR	TOTAL HARMONIC DISTORTION	DIMMABLE
-30°C (-22°F)	Estimated 50,000 Hours	> 0.9	< 20%	No
INPUT VOLTAGE	120V	208V	240V	277V
CURRENT DRAW (Amps)	0.12A	0.09A	0.08A	0.07A

WARRANTY AND CERTIFICATIONS

WARRANTY	cULus LISTED
5 Year Limited*	Wet Locations

CA RESIDENTS WARNING: Cancer and Reproductive Harm –
www.p65warnings.ca.gov

© 2020 Cree Lighting, A company of IDEAL INDUSTRIES. All rights reserved. For informational purposes only. Content is subject to change. Patent www.creelighting.com/patents. C-Lite and the C-Lite logo are registered trademarks of Cree Lighting, A company of IDEAL INDUSTRIES. The UL logo is a registered trademark of UL LLC. The DLC QPL Premium logo is a registered trademark of Efficiency Forward, Inc.

US: creelighting.com, e-conolight.com Distribution/Sales- 855-617-2733 Customer Service- 888-243-9445

Rev. Date: V1 05/14/2020

For informational purposes only. Content is subject to change. *See lighting.cree.com/warranty for details

C-LITE
LED LIGHTING