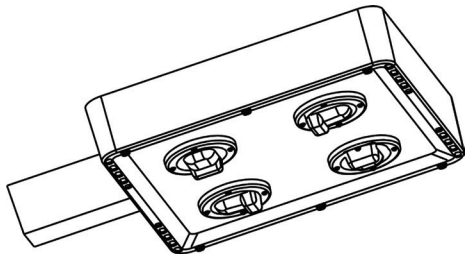


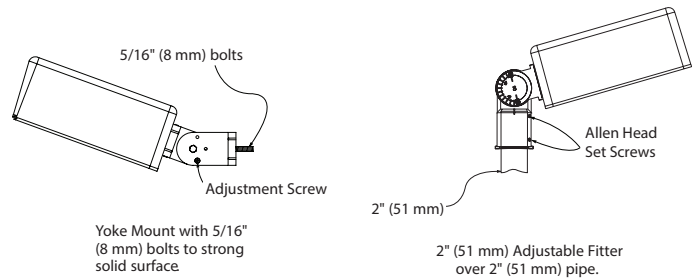
# INSTALLATION INSTRUCTIONS C-AR-A-SQT3 and C-AR-A-SQT5 Series

Document:	LPN00472X0001A0_A	Date:	03-22-2017
Created By:	TMT		

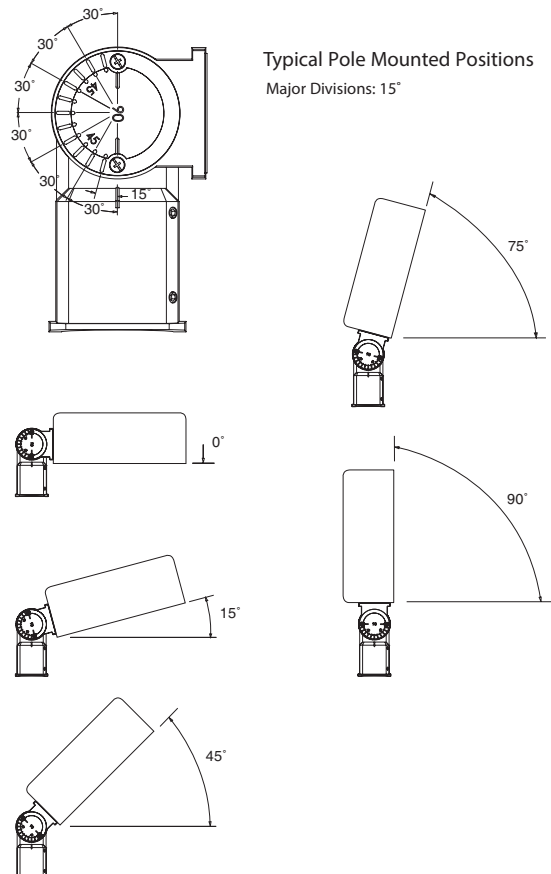


- Route fixture ground wire (green), common wire (white), and hot wire (black) through wall of fixture and into the splice compartment of fitter.
- Strain relief is required for electrical connection on 2" (51 mm) adjustable fitter mounts at heights of 25' (7.6 mm) and above. Tie a knot in the supply wires above the supply wire entry hole in the splice compartment to reduce the strain on the connections. Make sure the knot will not slip through the hole.
- Slip lower fitter over 2 - 3/8" (60 mm) o.d. heavy wall pipe or tenon and securely tighten two Allen head set screws with 3/16" Allen wrench to 140 in-lbs (16 Nm). See **Figure 1**.
- Connect the black fixture lead to the voltage supply lead. Connect the white fixture lead to the neutral supply lead. Connect the green fixture lead to the supply ground.
- If photocell accessory is used, locate it in the cover of the fitter supply compartment. See photocell installation sheet for details.
- Fixture is only intended for mounting orientations from 0°- 90° tilt. Do NOT use as an upright. See **Figure 2**.
- Tighten 3/8" bolt in fitter splice compartment to 19 ft-lbs (25 Nm).
- Replace fitter splice compartment cover and tighten (2) screws that were removed in Step 5.
- Reinstall driver housing cover plate by replacing it on top of housing and tightening (6) screws that were removed in Step 1.

**FIGURE 1**



**FIGURE 2 - 2" (51 mm) Adjustable Fitter Position**



## CAUTIONS

### IMPORTANT SAFEGUARDS

When using electrical equipment, basic safety precautions should always be followed including the following:

### READ AND FOLLOW ALL SAFETY INSTRUCTIONS

- DANGER**- Risk of shock- Disconnect power before installation.  
**DANGER** – *Risque de choc – Couper l'alimentation avant l'installation.*
- This luminaire must be installed in accordance with the NEC or your local electrical code. If you are not familiar with these codes and requirements, consult a qualified electrician.  
*Ce produit doit être installé conformément à NEC ou votre code électrique local. Si vous n'êtes pas familier avec ces codes et ces exigences, veuillez contacter un électricien qualifié.*
- Suitable for Wet Locations.  
*Adapte pour les Endroits Mouilles.*

### SAVE THESE INSTRUCTIONS FOR FUTURE REFERENCE

### 2" (51 mm) ADJUSTABLE FITTER MOUNTING

**Note:** Fixture is only intended for mounting orientations from 0°- 90° tilt. Do NOT use as an upright. See **Figure 2**. Use this fixture installation sheet for installing. DO NOT refer to mounting accessory sheet for installing.

- Remove the six screws on the top of the fixture housing to allow removal of the driver housing cover plate.
- Install gasket on upper fitter by aligning the (2) holes in the gasket with the (2) threaded holes in the upper fitter.
- Align (2) threaded bolt holes on the upper fitter with the (2) bolt holes in the side of the fixture.
- Fasten upper fitter to the fixture using the (2) bolts and lock washers using the (2) bolts and lock washers supplied with the fitter. Tighten bolts to 132 in-lbs (15 Nm)
- Remove splice compartment cover from upper fitter by removing (2) screws on cover.

# INSTALLATION INSTRUCTIONS C-AR-A-SQT3 and C-AR-A-SQT5 Series

Document:	LPN00472X0001A0_A	Date:	03-22-2017
Created By:	TMT		

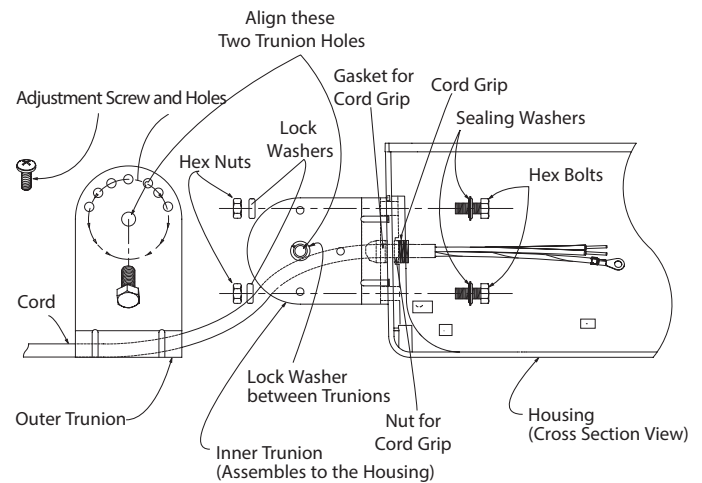
## U-BRACKET MOUNTING

**Note:** Only use Adjustable U-bracket kit (C-ACC-A-AUB).  
**Note:** Fixture is only intended for mounting orientations from 0°- 90° tilt. Do NOT use as an upright. See **Figure 2**. Use this fixture installation sheet for installing. DO NOT refer to mounting accessory sheet for installing.

1. Remove the six screws on the top of the fixture housing to allow removal of the driver housing cover plate.
2. Attach U-bracket to fixture as shown in **Figure 3**. Make sure sealing washers are under bolt heads.
3. Pass bolts from inside of housing through housing wall and U-bracket.
4. Slide (2) lock washers over yoke bolts.
5. Secure U-bracket to housing with (2) 5/16" nuts. Tighten nuts to 132 in-lbs (15 N•m).
6. Insert cord through cord grip so that the leads extend from the threaded end of the cord grip by approximately 4". Tighten cord grip firmly to cord.
7. Remove nut from cord grip. Pass threaded end of cord grip through wall of housing. Make sure gasket for cord grip is on outside of housing.
8. Tighten nut on threaded end of cord grip to secure cord grip to housing. Do not overtighten to prevent damage to threads.
9. Connect the driver voltage (black) lead to the black cord lead. Connect the driver common (white) lead to the white cord lead. Connect the green fixture lead to the green cord lead.
10. Mount fixture using (2) 3/8" (10mm) bolts appropriate for mounting surface. See **Figure 4**.
11. Reinstall driver housing cover plate by placing it on top of housing and tightening the (6) screws that were removed in Step 1.
12. Make wire connections to supply leads. Connect the black cord lead to the voltage supply lead. Connect the white cord lead to the neutral supply lead. Connect the green cord lead to the ground supply lead.

7. Connect the driver voltage (black) lead to the black cord lead. Connect the driver common (white) lead to the white cord lead. Connect the green fixture lead to the green cord lead.
8. Feed cord through extrusion into pole and slide extrusion over threaded rods so that the rods are positioned in extrusion channels.
9. Align mounting holes of fixture with exposed ends of threaded rods and push fixture flush with extrusion.
10. Install sealing washers and nuts onto threaded rods inside fixture. See **Figure 5**.
11. Torque hex nuts to 132 in-lbs (15 N•m).
12. Reinstall driver housing cover plate by replacing it on top of housing and tightening the (6) screws removed in Step 2.
13. Make wire connections inside pole. Connect the black cord lead to the voltage supply lead. Connect the white cord lead to the neutral supply lead. Connect the green cord lead to the ground supply lead.

**FIGURE 3**



## TO AIM FIXTURE (U-BRACKET)

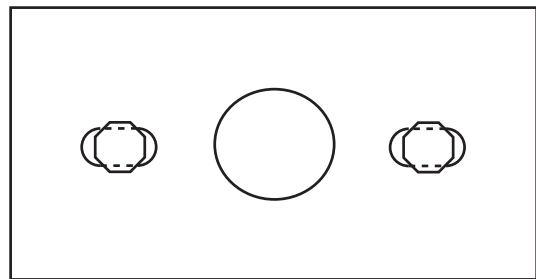
1. Adjust fixture to desired angle, making sure to line up set of locking holes in inner and outer yoke brackets.
2. Insert locking screw into matching holes of inner and outer yokes, and tighten.
3. Securely tighten both bolts on sides of U-bracket.

## 6" MOUNTING ARM

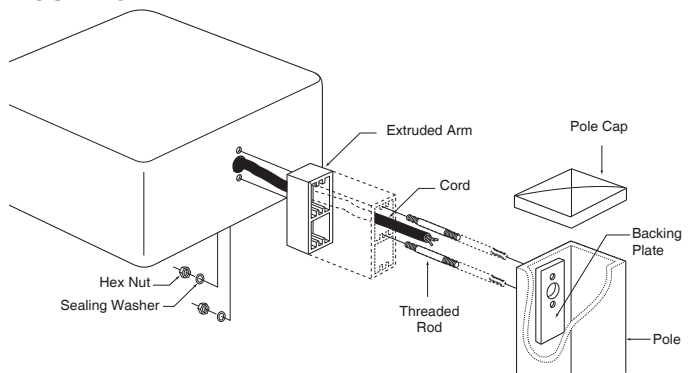
**Note:** Only use 6" Mounting Arm kit (C-ACC-A-SBMTARM-6IN).  
**Note:** Do NOT use as an upright. Use this fixture installation sheet for installing. DO NOT refer to mounting accessory sheet for installing.  
**Note:** Strain relief is required for electrical connections at height of 25' (7.6 mm) and above. Knot the supply wires from the pole with the fixture cord inside the pole.

1. Use template on last page for dimensions on pole drilling if pole is not pre-drilled. NOTE: Template is not to scale.
2. Remove the (6) screws on the top of the fixture housing to allow removal of the driver housing cover plate.
3. Screw threaded rods through holes in pole into backing plate inside pole until non-threaded section of rod contacts backing plate. See **Figure 5**.
4. Insert cord through cord grip so that the leads extend from the threaded end of the cord grip by approximately 4". Tighten cord grip firmly to cord.
5. Remove nut from cord grip. Pass threaded end of cord grip through wall of housing. Make sure gasket for cord grip is on outside of housing.
6. Tighten nut on threaded end of cord grip to secure cord grip to housing. Do not overtighten to prevent damage to threads.

**FIGURE 4 — Mounting to Surface**



**FIGURE 5**



# INSTALLATION INSTRUCTIONS

## C-AR-A-SQT3 and C-AR-A-SQT5 Series

Document:	LPN00472X0001A0_A	Date:	03-22-2017
Created By:	TMT		

### FCC NOTICE

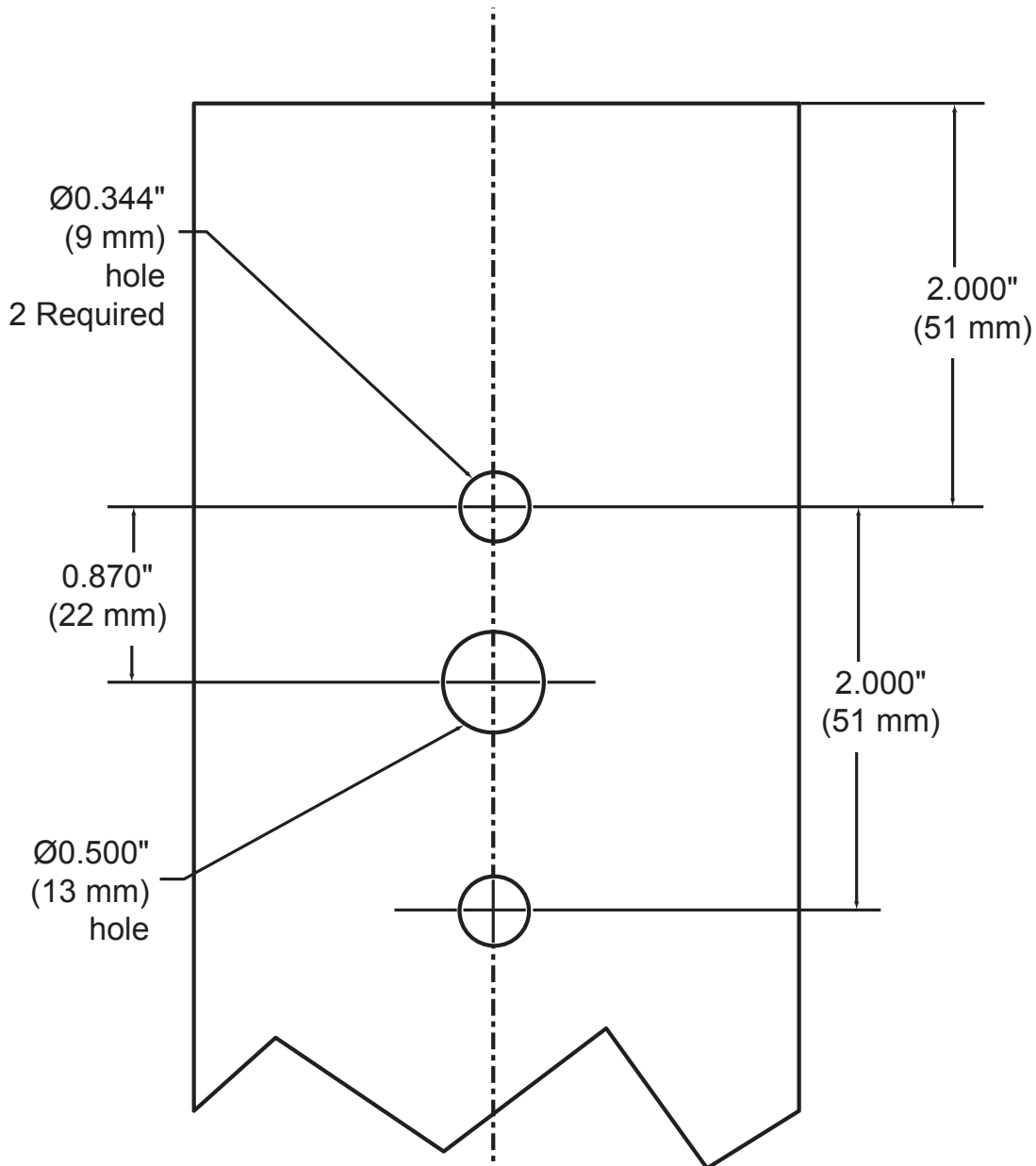
**CAUTION:** Changes or modifications not expressly approved could void your authority to use this equipment.

This device complies with part 15 of the FCC Rules. Operation is subject to the following two conditions: (1) This device may not cause harmful interference, and (2) this device must accept any interference received, including interference that may cause undesired operation.

This equipment has been tested and found to comply with the limits for a Class A digital device, pursuant to part 15 of the FCC Rules. These limits are designed to provide reasonable protection against harmful interference when the equipment is operated in a commercial environment. This equipment generates, uses, and can radiate radio frequency energy and, if not installed and used in accordance with the instruction manual, may cause harmful interference to radio communications. Operation of this equipment in a residential area is likely to cause harmful interference in which case the user will be required to correct the interference at his own expense.

CAN ICES-003 (A)/NMB-003 (A)

### TEMPLATE



NOT TO SCALE